

BLE - _____ - WHE10 - _____ - _____ - _____ - _____ - _____ - _____ - _____
 _____ A _____ B _____ C _____ D _____ E _____ F _____
 _____ G _____ H _____ I _____ J _____ K _____

Order Example: BLE - C - WHE10 - 995 - CSBG - 100 - NA - NA - NA - NA - LED16 - 2700K - FL

A - MOUNTING STYLE

C	Cord Hung
CN	Chain Hung
F	Flush Mount ¹
G	Gooseneck
S	Stem Mount

B - SHADE FINISH**PORCELAIN FINISHES²:**

150	Black
250	White
350	Vintage Green
355	Jadite
455	Cherry Red
550	Yellow
650	Bronze
750	Cobalt Blue
765	Delphite Blue
850	Graphite
950	Metallic Chrome

POWDER COAT FINISHES³:

100	Black
105	Textured Black
106	Matte Black
200	White
206	Matte White
300	Dark Green
307	Emerald Green
311	Jadite
370	Mint
380	Chartreuse
390	Teal
400	Barn Red
420	Orange
470	Watermelon
480	Blush Pink
490	Magenta
495	Sherbet Orange
500	Buttery Yellow
570	Sunflower
600	Bronze
601	Chocolate
605	Rust
615	Oil-Rubbed Bronze
700	Royal Blue
705	Navy
710	Cobalt Blue
715	Delphite Blue
790	Lavender
800	Industrial Grey
805	Charcoal Granite
810	Graphite
975	Galvanized

B - SHADE FINISH (CONTINUED)**NATURAL METALS⁴:**

995	Raw Copper
996	Weathered Copper
997	Raw Brass
998	Weathered Brass
999	Oil-Rubbed Copper

C - MOUNTING

Please Note: If Flush Mount [F] is selected in Section A, please select **NA**

NA	Not Applicable
-----------	----------------

CSA LISTED CORDS:

SBK	Standard Black
SWH	Standard White
CSB	Black Cloth
CSW	White Cloth
CMG	Grey Cloth
CSR	Red Cloth
CRZ	Red Chevron Cloth
CSBB	Black & Brown Cloth
CSRW	Red & White Cloth
CSGW	Gold & White Cloth
CSBG	Black & Gold Cloth
CSBW	Black & White Cloth
CSBP	Black & Pink Cloth
CSUW	Blue & White Cloth

CHAIN MOUNT OPTIONS⁵:

CN36	3' of Chain
CN48	4' of Chain
CN60	5' of Chain
CN72	6' of Chain

GOOSENECK OPTIONS:

G1⁵	G11⁵	G26⁵
G2⁵	G12⁵	G32
G3⁵	G13	G34⁵
G4	G14	G35⁵
G5⁵	G15	G36⁵
G6	G16⁵	G64⁵
G7	G17	G65⁵
G8	G22	
G9	G24	
G10	G25	

C - MOUNTING (CONTINUED)**STEM MOUNT OPTIONS:**

ST506	.5" Stem Mount, 6" ⁵
ST512	.5" Stem Mount, 12" ⁵
ST518	.5" Stem Mount, 18" ⁵
ST524	.5" Stem Mount, 24" ⁵
ST536	.5" Stem Mount, 36" ⁵
ST548	.5" Stem Mount, 48" ⁵
ST706	.75" Stem Mount, 6"
ST712	.75" Stem Mount, 12"
ST718	.75" Stem Mount, 18"
ST724	.75" Stem Mount, 24"
ST736	.75" Stem Mount, 36"
ST748	.75" Stem Mount, 48"

D - MOUNTING FINISH

Please Note: See Section C for Finish Options. 980-Brushed Aluminum is also available for Gooseneck (Not available with G36, G40, G64 & G65) and Stem mounting styles. If a Porcelain shade finish is selected, mounting will be powder coat painted-to-match. Porcelain shade finishes are not available with a Natural Metal mounting finish
 (I) If Cord Hung [C], selection identifies canopy finish
 (II) If Chain Hung [CN] Mounting Style, selection identifies chain and canopy finish. Natural Metals are not applicable
 (III) If Stem Mount [S] Mounting Style, selection identifies stem and canopy finish
 (IV) If Flush Mount [F] Mounting Style, selection identifies hex coupler and canopy finish. Natural Metals are not applicable

980	Brushed Aluminum
------------	------------------

E - CORDS⁶

Please Note: See Section D for all applicable CSA Listed Cord Options

NA	Not Applicable
-----------	----------------

F - SHADE ACCESSORIES⁵

NA	None
WC	Wire Cage
ACR	Acrylic Diffuser ^{7,8}

G - SHADE ACCESSORY FINISH

Please Note: See Section C for Finish Options. Natural Metals not applicable. If Porcelain Finish is selected, accessory will be powder coat painted-to-match

NA	Not Applicable
-----------	----------------

H - MOUNTING ACCESSORY

Please Note: Mounting Accessories below are only applicable with select Mounting Styles. Please refer to product listings on our website for further detail.

NA	None/Not Applicable
HSC	Hang Straight Canopy ^{9,9}
LDBPC	LED Decorative Backing Plate Cover ^{10,11}
LDCHX	LED Decorative Backing Plate Cover & Hex Cover ^{10,11}

I - LIGHT SOURCE

LED11	850 Lumen, 11W LED
LED16	1250 Lumen, 16W LED

J - COLOR TEMPERATURE

2700K	2700K, Warm White
3000K	3000K, Neutral White
3500K	3500K, Bright White
4000K	4000K, Cool White

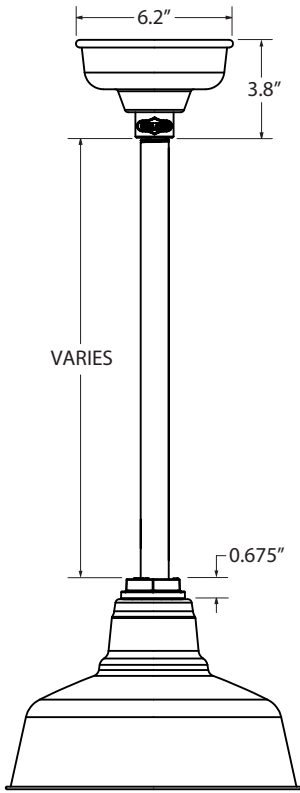
K - LED LENS

DL	Domed Lens
FL	Flat Lens

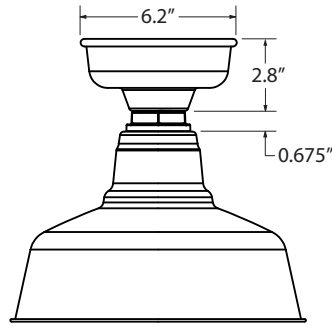
IMPORTANT: (1) Not available with Acrylic Diffuser Shade Accessory (2) All Porcelain Enamel finished shades feature a white interior and a black outer rim (3) All Powder Coat finished shades, Galvanized excluded, feature a white interior (4) Natural Metals have a longer estimated manufacturing time, please check the website for exact lead time. There are no returns accepted on Natural Metals (5) Not available in Natural Metals (6) Only applicable if Chain Hung Mounting Style selected in Section A, select NA if another Mounting Style is selected (7) Acrylic Diffuser reduces lumens delivered and LPW (8) Fixture is CSA Listed for Damp Locations with Acrylic Diffuser (9) Only applicable if Stem Mounting Style is selected in Section A (10) Not available with G3, G4, G11, G15, G26 & G36 Gooseneck option (11) Only applicable if Gooseneck Mounting Style is selected in Section A

MOUNTING STYLE

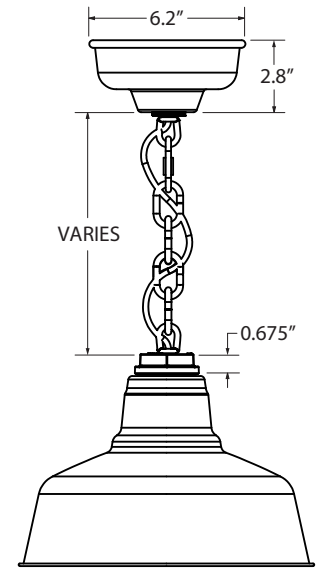
STEM MOUNT PENDANT (S)



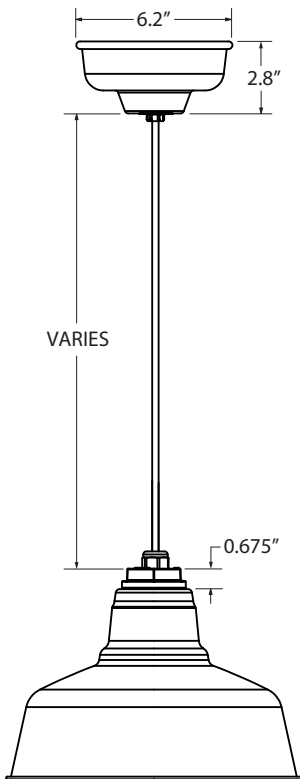
FLUSH MOUNT (F)



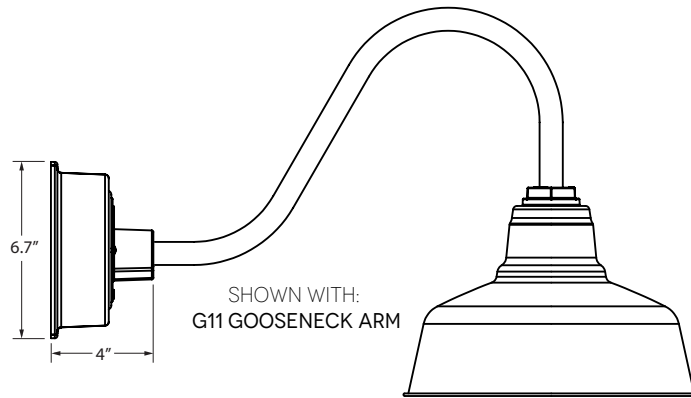
CHAIN HUNG PENDANT (CN)



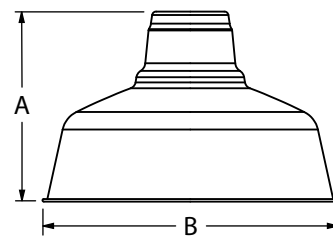
CORD HUNG PENDANT (C)



GOOSENECK (G)



LUMINAIRE DIMENSIONS



SHADE CODE	HEIGHT (A)	DIAMETER (B)
WHE10	6.50"	10"

SPECIFICATIONS

CERTIFICATIONS, LISTINGS & WARRANTY

MADE IN THE USA
 Manufactured and Hand-Crafted in Our 60,000 Square Foot Facility
 Located in Titusville, FL

CSA LISTED FOR WET LOCATIONS
 Acrylic Diffuser is CSA Listed for Damp Locations for Cord, Chain
 Hung, Gooseneck, and Stem Mounting Styles

LIMITED WARRANTY
 For Additional Information on Our Limited Warranty, Please See
 Our Terms & Conditions

OPERATING TEMPERATURE
 -30°C to 40°C

CONSTRUCTION & FINISH

POWDER COAT SHADE
 Hand-Spun from High Purity 3003-O Temper Aluminum

GALVANIZE SHADE
 Hand Spun from High Quality Galvanized Steel

PORCELAIN SHADE
 Hand-Spun from 20 Gauge Porcelain Steel

POWDER COAT FINISHES
 Polyester Powder Coat Finishes Are Electro-Staticly Applied and
 Thermocured

PORCELAIN FINISHES
 Applied by Hand and Fired in a High Temperature Oven

COPPER
 Hand-Spun from High Purity C11000-O60 ETP Copper

BRASS
 Hand-Spun from High Purity C2600-O60 Brass

BACKING PLATE
 Hand-Spun from High Purity 3003-O Temper Aluminum or
 High Quality Galvanized Steel if 975 Finish is Chosen

WALL SCONCE ARM
 1/4" Nominal (0.50" Actual) Brass Electroplated Steel Tubing
 Mounting Arm

LED LIGHT SOURCE

LED TYPE: CREE LMH2 MODULE

INITIAL LUMENS DELIVERED: UP TO 1250 LUMENS

L90(6K) > 36,300 HOURS

AVAILABLE CCT: 2700K, 3000K, 3500K, 4000K
 Custom Temperatures Available upon Request

90+ CRI

2 STEP MACADAMS ELLIPSE

EFFICACY: UP TO 78 LPW
 High Efficacy Available upon Request, Consult Factory for
 Additional Information

ELECTRICAL/LED DRIVER

DRIVER TYPE: ERP ESS/T

POWER FACTOR > 0.9

EFFICIENCY: UP TO 87% TYPICAL

INPUT VOLTAGE: 120-277 VAC (SEE DIMMING SECTION)

CLASS 2 POWER SUPPLY

LED DRIVER LIFETIME: > 100,000 HOURS (@ 25 DEG C AMBIENT)

IP64 MINIMUM RATING CASE WITH SILICONE-BASED POTTING

PROTECTIONS
 Output Open Load, Over-Current and Short-Circuit (Hiccup), and
 Over-Temperature with Auto Recovery

CONDUCTED AND RADIATED EMI
 Compliant with FCC CFR Title 47 Part 15 Class B (120 VAC), Class A
 (277 VAC) and EN55015 (CISPR 15) at 220, 230 and 240 VAC

COMPLIANT WITH
 Complies with Energy Star® DLR (DesignLight Consortium®) and CA
 Title 24 Technical Requirements

DIMMING

TRI-MODE DIMMING™
 Compatible with TRIAC (Forward-Phase or Leading-Edge), ELV
 (Reverse-Phase or Trailing-Edge) and 0-10 V Dimmers

TRIAC AND ELV DIMMING ONLY AT 120 VAC

DIMMING RANGE 1-100%
 The Dimming Range is Dependent on Each Specific Dimmer. May
 not be able to Achieve 1% Dimming with Some Dimmers

ELV DIMMING AT 230 VAC
 Available by Request