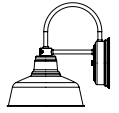




SPS-221 REV B

ESSO LED WALL SCNCE

JOB NAME: _____ FIXTURE TYPE: _____



BLE - W - WHE10 - _____ - _____ - _____ - _____ - _____ - _____ - _____
A B C D E F G

Order Example: BLE - W - WHE10 - 750 - WC - 150 - LED16 - 3000K - DL - NA

A - SHADE FINISH

PORCELAIN FINISHES¹:

- 150 Black
- 250 White
- 350 Vintage Green
- 355 Jadite
- 455 Cherry Red
- 550 Yellow
- 650 Bronze
- 750 Cobalt Blue
- 765 Delphite Blue
- 850 Graphite
- 950 Metallic Chrome

POWDER COAT FINISHES²:

- 100 Black
- 105 Textured Black
- 106 Matte Black
- 200 White
- 206 Matte White
- 300 Dark Green
- 307 Emerald Green
- 311 Jadite
- 370 Mint
- 380 Chartreuse
- 390 Teal
- 400 Barn Red
- 420 Orange
- 470 Watermelon
- 480 Blush Pink

A - SHADE FINISH (CONTINUED)

- 490 Magenta
- 495 Sherbet Orange
- 500 Buttery Yellow
- 570 Sunflower
- 600 Bronze
- 601 Chocolate
- 605 Rust
- 615 Oil-Rubbed Bronze
- 700 Royal Blue
- 705 Navy
- 710 Cobalt Blue
- 715 Delphite Blue
- 790 Lavender
- 800 Industrial Grey
- 805 Charcoal Granite
- 810 Graphite
- 975 Galvanized

B - SHADE ACCESSORIES

- NA None
- WC Wire Cage
- ACR Acrylic Diffuser^{3,4}

C - SHADE ACCESSORY FINISH

Please Note: See **Section A** for all wire cage finish options. If no wire cage is selected in Section B, please select NA. Wire Cage will be powder coat painted-to-match the Porcelain Finish selected.

- NA Not Applicable

D - LUMENS

- LED11 850 Lumen, 11W LED
- LED16 1250 Lumen, 16W LED

E - COLOR TEMPERATURE

- 2700K Warm White
- 3000K Neutral White
- 3500K Bright White
- 4000K Cool White

F - LED LENS

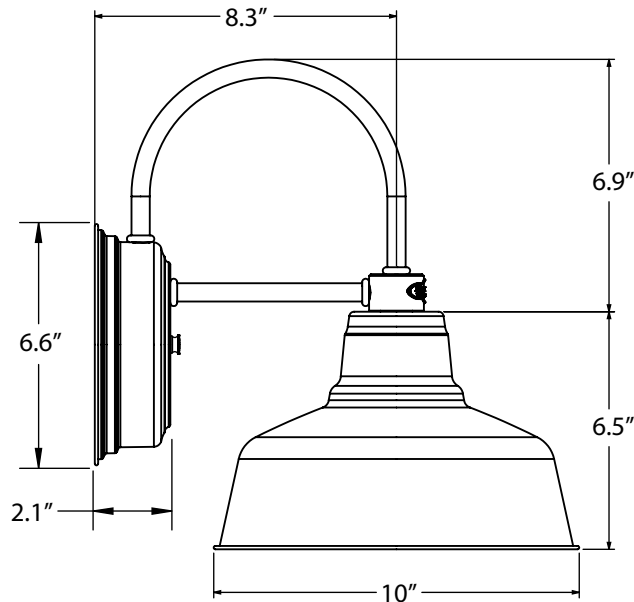
- DL Domed Lens
- FL Flat Lens

G - DUSK-TO-DAWN PHOTOCELL

- NA None/Not Applicable
- DD Dusk-to-Dawn Photocell

IMPORTANT: (1) All Porcelain Enamel finished shades feature a white interior and a black outer rim (2) All Powder Coat finished shades, with the exception of 975-Galvanized, feature a white interior (3) Selecting Acrylic Diffuser will reduce the amount of lumens and LPW delivered (4) Fixture to be CSA Listed for Damp Location

MOUNTING DIMENSIONS



SPECIFICATIONS**CERTIFICATIONS, LISTINGS & WARRANTY**

MADE IN THE USA
**Manufactured and Hand-Crafted in Our 60,000 Square Foot Facility
 Located in Titusville, FL**

CSA LISTED FOR WET LOCATIONS
**If the Acrylic Diffuser is Chosen, the Fixture will be CSA Listed for
 Damp Locations**

LIMITED WARRANTY
**For Additional Information on Our Limited Warranty, Please See
 Our Terms & Conditions**

OPERATING TEMPERATURE
-30°C to 40°C

CONSTRUCTION & FINISH

POWDER COAT SHADE
Hand-Spun from High Purity 3003-O Temper Aluminum

GALVANIZE SHADE
Hand Spun from High Quality Galvanized Steel

PORCELAIN SHADE
Hand-Spun from 20 Gauge Porcelain Steel

POWDER COAT FINISHES
**Polyester Powder Coat Finishes Are Electro-Staticly Applied and
 Thermocured**

PORCELAIN FINISHES
Applied by Hand and Fired in a High Temperature Oven

BACKING PLATE
**Hand-Spun from High Purity 3003-O Temper Aluminum or
 High Quality Galvanized Steel if 975 Finish is Chosen**

WALL SCONCE ARM
**1/4" Nominal (0.50" Actual) Brass Electroplated Steel Tubing
 Mounting Arm**

MAX FIXTURE WEIGHT
10 lbs

LED LIGHT SOURCE

LED TYPE: CREE LMH2 MODULE

INITIAL LUMENS DELIVERED: UP TO 1250 LUMENS

L90(6K) > 36,300 HOURS

AVAILABLE CCT: 2700K, 3000K, 3500K, 4000K
Custom Temperatures Available upon Request

90+ CRI

2 STEP MACADAMS ELLIPSE

EFFICACY: UP TO 78 LPW
**High Efficacy Available upon Request, Consult Factory for
 Additional Information**

ELECTRICAL/LED DRIVER

DRIVER TYPE: ERP ESS/T

POWER FACTOR > 0.9

EFFICIENCY: UP TO 87% TYPICAL

INPUT VOLTAGE: 120-277 VAC (SEE DIMMING SECTION)

CLASS 2 POWER SUPPLY

LED DRIVER LIFETIME: > 100,000 HOURS (@ 25 DEG C AMBIENT)

IP64 MINIMUM RATING CASE WITH SILICONE-BASED POTTING

PROTECTIONS

**Output Open Load, Over-Current and Short-Circuit (Hiccup), and
 Over-Temperature with Auto Recovery**

CONDUCTED AND RADIATED EMI

**Compliant with FCC CFR Title 47 Part 15 Class B (120 VAC), Class A
 (277 VAC) and EN55015 (CISPR 15) at 220, 230 and 240 VAC**

COMPLIANT WITH

**Complies with Energy Star® DLR (DesignLight Consortium®) and CA
 Title 24 Technical Requirements**

DIMMING

TRI-MODE DIMMING™

**Compatible with TRIAC (Forward-Phase or Leading-Edge), ELV
 (Reverse-Phase or Trailing-Edge) and 0-10 V Dimmers**

TRIAC AND ELV DIMMING ONLY AT 120 VAC

DIMMING RANGE 1-100%

**The Dimming Range is Dependent on Each Specific Dimmer. May
 not be able to Achieve 1% Dimming with Some Dimmers**

ELV DIMMING AT 230 VAC

Available by Request