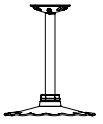




FLUTED SHADE SERIES

JOB NAME: _____ FIXTURE TYPE: _____



BLE - _____ - _____ - _____ - _____ - _____ - _____ - _____
 A B C D E F G

Order Example: BLE - S - FLT10 - 400 - ST524 - 980 - SC - E26

A - MOUNTING STYLE

- S** Stem Mount
- F** Flush Mount
- G** Gooseneck

B - SHADE SIZE

- FLUTED SHADE:**
- FLT10** 10" Shade
 - FLT12** 12" Shade

C - SHADE FINISH

- POWDER COAT FINISHES¹:**
- 100** Black
 - 105** Textured Black
 - 106** Matte Black
 - 200** White
 - 206** Matte White
 - 300** Dark Green
 - 307** Emerald Green
 - 311** Jadite
 - 370** Mint
 - 380** Chartreuse
 - 390** Teal
 - 400** Barn Red
 - 420** Orange
 - 470** Watermelon
 - 480** Blush Pink
 - 490** Magenta
 - 495** Sherbet Orange
 - 500** Buttery Yellow
 - 570** Sunflower
 - 600** Bronze
 - 601** Chocolate
 - 605** Rust

C - SHADE FINISH (CONTINUED)

- POWDER COAT FINISHES¹:**
- 615** Oil-Rubbed Bronze
 - 700** Royal Blue
 - 705** Navy
 - 710** Cobalt Blue
 - 715** Delphite Blue
 - 790** Lavender
 - 800** Industrial Grey
 - 805** Charcoal Granite
 - 810** Graphite
 - 975** Galvanized
- NATURAL METALS²:**
- 995** Raw Copper
 - 996** Weathered Copper
 - 997** Raw Brass
 - 998** Weathered Brass
 - 999** Oil-Rubbed Copper

D - MOUNTING

- Please Note: If Flush Mount [F] is selected in Section A, please select NA*
- NA** Not Applicable
- STEM MOUNT OPTIONS:**
- ST506** .5" Stem Mount, 6"
 - ST512** .5" Stem Mount, 12"
 - ST518** .5" Stem Mount, 18"
 - ST524** .5" Stem Mount, 24"
 - ST536** .5" Stem Mount, 36"
 - ST548** .5" Stem Mount, 48"
 - ST706** .75" Stem Mount, 6"
 - ST712** .75" Stem Mount, 12"
 - ST718** .75" Stem Mount, 18"
 - ST724** .75" Stem Mount, 24"
 - ST736** .75" Stem Mount, 36"
 - ST748** .75" Stem Mount, 48"
- GOOSENECK OPTIONS:**
- G1³** **G16³**
 - G2³** **G17**
 - G3³** **G19³**
 - G4** **G22**
 - G5³** **G24**
 - G6** **G25**
 - G7** **G26³**
 - G8** **G32**
 - G9** **G34³**
 - G10** **G35³**
 - G11³** **G36³**
 - G12³** **G40³**
 - G13** **G64³**
 - G14** **G65³**
 - G15**

E - MOUNTING FINISH

- Please Note: See Section C for Finish Options. 980-Brushed Aluminum is also available for Gooseneck (Except G36, G40, G64, & G65) and Stem mounting styles.*
- (I) If Flush Mount [F]³ Mounting Style, selection identifies canopy finish*
- (II) If Stem Mount [S] Mounting Style, selection identifies stem and canopy finish*
- 980** Brushed Aluminum

F - FIXTURE ACCESSORIES

- NA** None
- DD** Dusk-to-Dawn Photocell⁴
- SC** Standard Canopy^{3,5}
- HSC** Hang Straight Canopy^{3,5}
- HDSMC** Heavy Duty Stem Mount Canopy^{3,5}

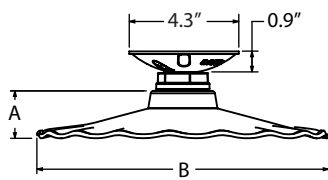
G - LIGHT SOURCE

- E26** 200 Watt Max
- GU24** 24 Bi-Pin, 23W Max⁶

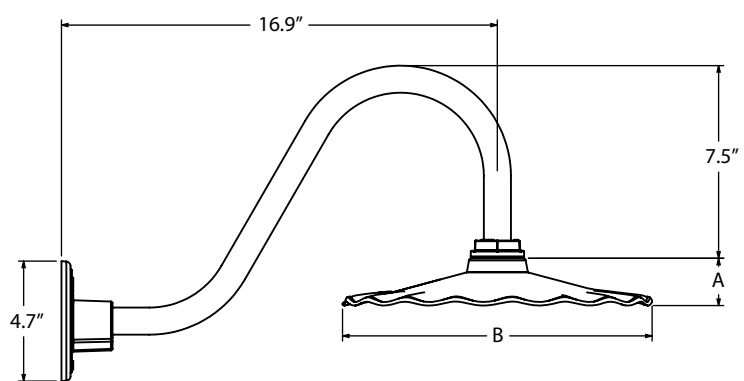
IMPORTANT: (1) All Powder Coat finished shades, Galvanized excluded, feature a white interior (2) Natural Metals have a longer estimated manufacturing time, please check the website for exact lead time. There are no returns accepted on Natural Metals (3) Not available in Natural Metals (4) Only applicable if Gooseneck Mounting Style selected in Section A (5) Only applicable if Stem Mounting Style selected in Section A (6) Fixtures configured with a GU24 socket are non-returnable

MOUNTING STYLE

FLUSH MOUNT (F)



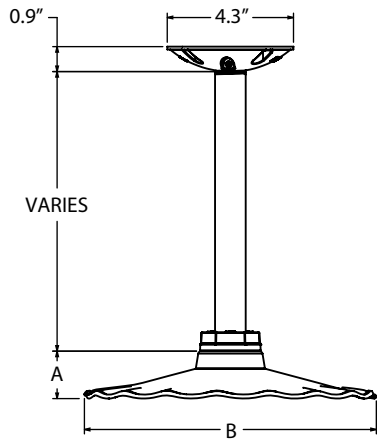
GOOSENECK (G)



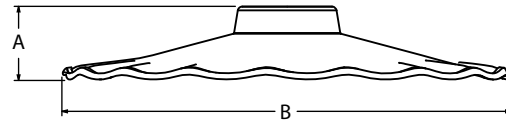
SHOWN WITH: G15 GOOSENECK ARM

MOUNTING STYLE (CONTINUED)

STEM MOUNT PENDANT (S)



AVAILABLE SHADE SIZES



SHADE CODE	HEIGHT (A)	DIAMETER (B)
FLT10	1.6"	10"
FLT12	1.8"	12"

SPECIFICATIONS

CERTIFICATIONS, LISTINGS & WARRANTY

MADE IN THE USA
 Manufactured and Hand-Crafted in Our 60,000 Square Foot Facility
 Located in Titusville, FL

CSA LISTED FOR WET LOCATIONS

LIMITED WARRANTY
 For Additional Information on Our Limited Warranty, Please See
 Our Terms & Conditions

LIGHT SOURCE

INCANDESCENT
 Medium Base E26 Socket, 120 VAC, 200W Max

COMPACT FLUORESCENT
 Bi-Pin Base GU24 Socket, 120 VAC, 23W Max

CONSTRUCTION & FINISH

SHADE
 Hand-Spun from High Purity 3003-O Temper Aluminum

POWDER COAT FINISHES
 Polyester Powder Coat Finishes are Electro-Statically Applied and
 Thermocured

GALVANIZED SHADE
 Hand-Spun from High Quality Galvanized Steel

COPPER
 Hand-Spun from High Purity C11000-O60 ETP Copper

BRASS
 Hand-Spun from High Purity C2600-O60 Brass

STEM
 1/2" Nominal (0.84" Actual) or 3/4" Nominal (1.05" Actual) Sch 40,
 6063 Aluminum Mounting Stem. Custom Lengths Available upon
 Request

GOOSENECK
 1/2" Nominal (0.84" Actual) or 3/4" Nominal (1.05" Actual) Sch 40,
 6063 Aluminum Gooseneck