



SPS-0239 REV A

GLADSTONE WALL SCNCE

JOB NAME: _____ FIXTURE TYPE: _____



BLE - W - _____ - _____ - _____ - _____
 A B C D

Order Example: BLE - W - DBG10 - 700 - 975 - NS

A - SHADE SIZE

GLADSTONE SHADE:

- DBG6** 6" Shade
- DBG8** 8" Shade
- DBG10** 10" Shade

B - SHADE FINISH

POWDER COAT FINISHES¹:

- 100** Black
- 105** Textured Black
- 200** White
- 300** Dark Green
- 307** Emerald Green
- 311** Jadite
- 370** Mint
- 380** Chartreuse
- 390** Teal
- 400** Barn Red
- 420** Orange
- 470** Watermelon
- 480** Blush Pink
- 490** Magenta
- 495** Sherbet Orange
- 500** Buttery Yellow
- 570** Sunflower
- 600** Bronze
- 601** Chocolate
- 605** Rust
- 615** Oil-Rubbed Bronze
- 700** Royal Blue
- 705** Navy
- 710** Cobalt Blue
- 715** Delphite Blue
- 790** Lavender
- 800** Industrial Grey
- 805** Charcoal Granite
- 810** Graphite
- 975** Galvanized

NATURAL FINISHES²:

- 995** Raw Copper
- 996** Weathered Copper
- 997** Raw Brass
- 998** Weathered Brass
- 999** Oil-Rubbed Copper

C - MOUNTING FINISH

POWDER COAT FINISHES:

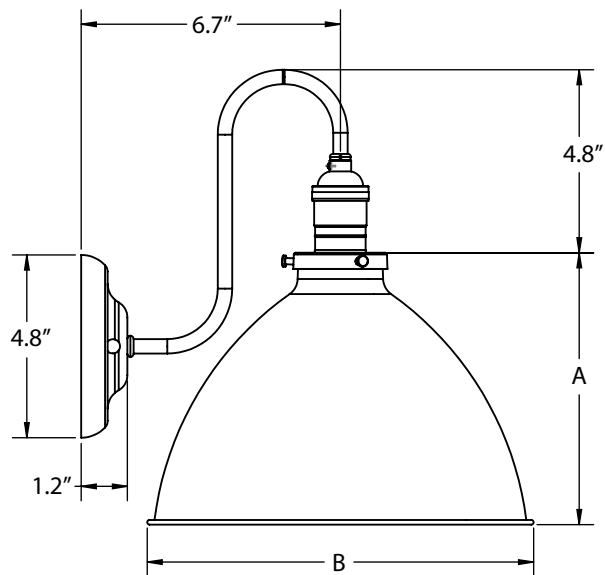
- 100** Black
- 105** Textured Black
- 200** White
- 300** Dark Green
- 307** Emerald Green
- 311** Jadite
- 370** Mint
- 380** Chartreuse
- 390** Teal
- 400** Barn Red
- 420** Orange
- 470** Watermelon
- 480** Blush Pink
- 490** Magenta
- 495** Sherbet Orange
- 500** Buttery Yellow
- 570** Sunflower
- 600** Bronze
- 601** Chocolate
- 605** Rust
- 615** Oil-Rubbed Bronze
- 700** Royal Blue
- 705** Navy
- 710** Cobalt Blue
- 715** Delphite Blue
- 790** Lavender
- 800** Industrial Grey
- 805** Charcoal Granite
- 810** Graphite
- 975** Galvanized

D - SWITCH OPTIONS

- NA** No Switch
- TWS** Turn Key Switch
- PS** Paddle Switch

IMPORTANT: (1) All Powder Coat finished shades, with the exception of Galvanized, feature a white interior (2) Natural Finishes have a longer estimated manufacturing time, please check the website for exact lead time. There are no returns accepted on Natural Finishes

DIMENSIONAL DRAWING



SHADE CODE	HEIGHT (A)	DIAMETER (B)
DBG6	4"	6"
DBG8	6"	8"
DBG10	10"	7"

SPECIFICATIONS

CERTIFICATIONS, LISTINGS & WARRANTY

MADE IN THE USA
 Manufactured and Hand-Crafted in Our 60,000 Square Foot Facility
 Located in Titusville, FL

CSA LISTED FOR DRY LOCATIONS

LIMITED WARRANTY
 For Additional Information on Our Limited Warranty, Please See
 Our Terms & Conditions

OPERATING TEMPERATURE
 -30°C to 40°C

MAX FIXTURE WEIGHT
 10 lbs

SHADE & FINISHES

POWDER COAT SHADE
 Hand-Spun from High Purity 0.050" Thick 3003-O Temper
 Aluminum

POWDER COAT FINISHES
 Polyester Powder Coat Finishes Are Electro-Statically Applied and
 Thermocured

LIGHT SOURCE

INCANDESCENT
 Medium Base E26 Socket, 60W Max, 120 VAC