



Order Example: BLE - WV - CGG3 - 705 - WH - CGG - 705 - SMK - E26 - NA

A - FINISHES	
<i>POWDER COAT FINISHES:</i>	
100	Black
105	Textured Black
200	White
300	Dark Green
307	Emerald Green
311	Jadite
370	Mint
380	Chartreuse
390	Teal
400	Barn Red
420	Orange
470	Watermelon
480	Blush Pink
490	Magenta
500	Buttery Yellow
570	Sunflower
600	Bronze
601	Chocolate
605	Rust
615	Oil-Rubbed Bronze
700	Royal Blue
705	Navy
710	Cobalt Blue
715	Delphite Blue
800	Industrial Grey
805	Charcoal Granite
810	Graphite
975	Galvanized

B - OPTIONAL SHADE	
NA	No Shade
FS	Flared Shade
WH	Warehouse Shade

C - CAST GUARD OPTION	
WGG	Wire Guard
CGG	Standard Cast Guard
TGG	Heavy Duty Cast Guard

D - CAST GUARD FINISH	
<i>POWDER COAT FINISHES:</i>	
100	Black
105	Textured Black
200	White
300	Dark Green
307	Emerald Green
311	Jadite
370	Mint
380	Chartreuse
390	Teal
400	Barn Red
420	Orange
470	Watermelon
480	Blush Pink
490	Magenta
500	Buttery Yellow
570	Sunflower
600	Bronze
601	Chocolate
605	Rust
615	Oil-Rubbed Bronze
700	Royal Blue
705	Navy
710	Cobalt Blue
715	Delphite Blue
800	Industrial Grey
805	Charcoal Granite
810	Graphite
975	Galvanized

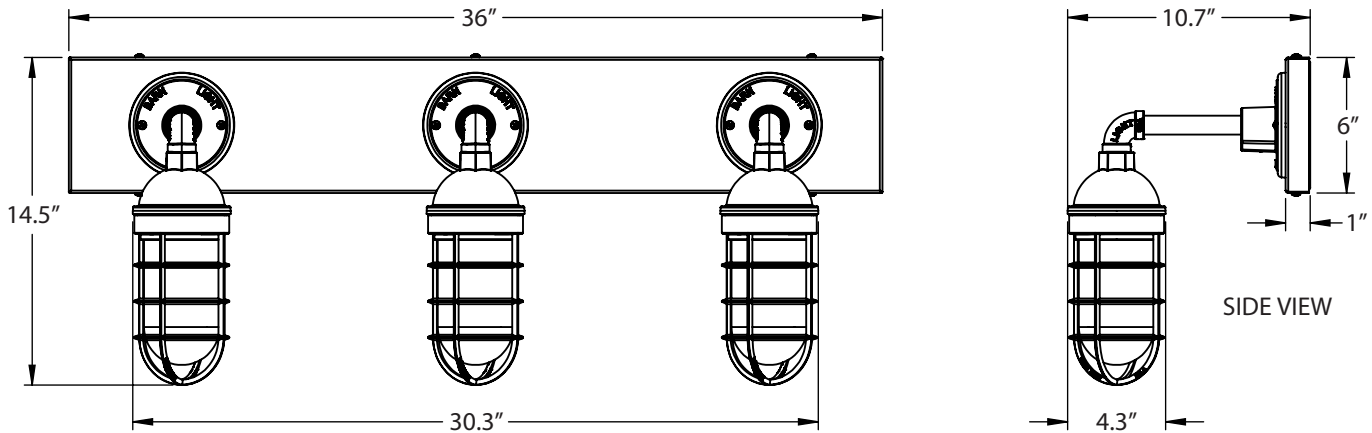
E - GLASS OPTIONS	
CLR	Clear Glass ¹
FST	Frosted Glass
RIB	Ribbed Glass
CCR	Clear Crackle Glass
SMK	Smoke Crackle Glass
HCR	Honey Crackle Glass

F - LIGHT SOURCE	
E26	100 Watt Max
GU24	24 Bi-Pin, 18W Max ²
LED16.8	16W LED, 1600 LM

G - COLOR TEMPERATURE ³	
NA	Not Applicable
2700K	2700K, Warm White
3000K	3000K, Neutral White
3500K	3500K, Bright White
4000K	4000K, Cool White

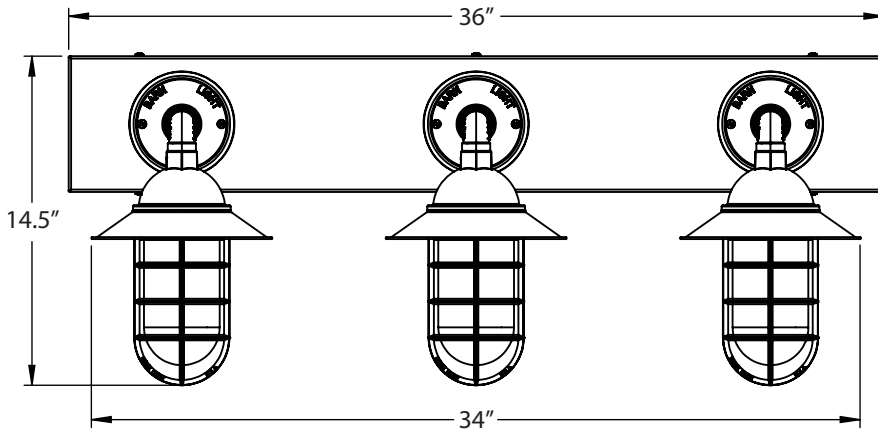
IMPORTANT: (1) Clear Glass not recommended if LED16.8 Light Source selected in Section F (2) Fixtures configured with a GU24 socket are non-returnable (3) Selection only applicable if LED16.8 Light Source is selected in Section F, select NA if another Light Source is selected

DIMENSIONAL DRAWING

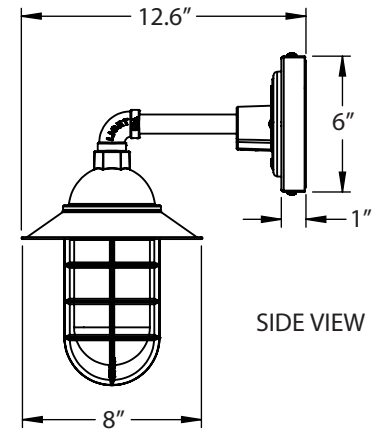


SHOWN WITH: NO OPTIONAL SHADE

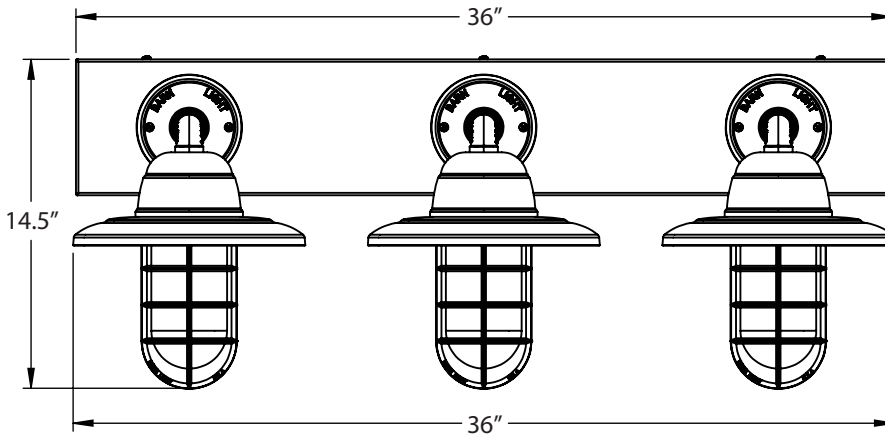
DIMENSIONAL DRAWING (CONTINUED)



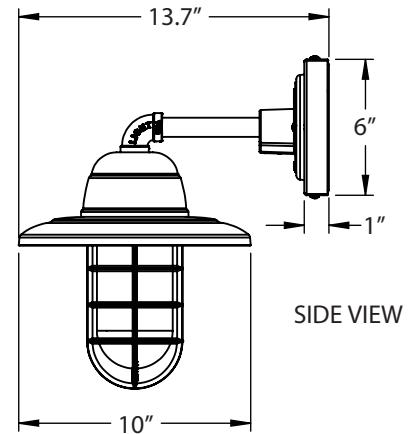
SHOWN WITH: FLARED SHADE



SIDE VIEW



SHOWN WITH: WAREHOUSE SHADE



SIDE VIEW

LIGHT SOURCE

All published luminaire photometric testing performed to IESNA LM-79-08 standards by a NVLAP accredited laboratory. Data is considered to be representative of the configurations shown, within the tolerances allowed by Lighting Facts. To obtain an IES file specific to your project, please contact the factory.

OPTION	WATTAGE	LUMENS <small>*Avg. value, actual value dependent on bulb used</small>	CRI	VOLTAGE	DIMMING
INCANDESCENT (MED E26)					
E26	100W Max	1600*	100*	120 VAC	Bulb Dependant
COMPACT FLOURESCENT (GU24 CFL)					
GU24	18W Max	1600*	75*	120 VAC	Bulb Dependant
LED					
LED16.8	16W	1600	>90	120 VAC	TRIAC

SPECIFICATIONS

LED SPECIFICATIONS

LUMEN MAINTENANCE

LED16.8 Source is L90(11K) > 61,000 Hours.

COLOR TEMPERATURES

Standard Color Temperatures Available Include 2700K, 3000K, 3500K and 4000K. Custom Temperatures Available upon Request.

CRI

Minimum 90 CRI, Consult Factory for Other CRI Options

EFFICACY

Delivers over 95 Lumens per Watt

DRIVER & DIMMING OPTION

Reliant on Triac Dimming 16.8W / 120V, Dimmable down to 1% Depending on Dimmer. Requires Compatible Dimming Switch.

SHADE & FINISHES

POWDER COAT FINISHES

Polyester Powder Coat Finishes Are Electro-Statically Applied and Thermocured

CERTIFICATIONS, LISTINGS & WARRANTY

MADE IN THE USA

Manufactured and Hand-Crafted in Our 60,000 Square Foot Facility Located in Titusville, FL

CSA LISTED FOR DAMP LOCATIONS

LIMITED WARRANTY

For Additional Information on Our Limited Warranty, Please See Our Terms & Conditions