



BLE - C - \_\_\_\_\_ - \_\_\_\_\_ - \_\_\_\_\_ - \_\_\_\_\_  
                     **A**                    **B**                    **C**                    **D**

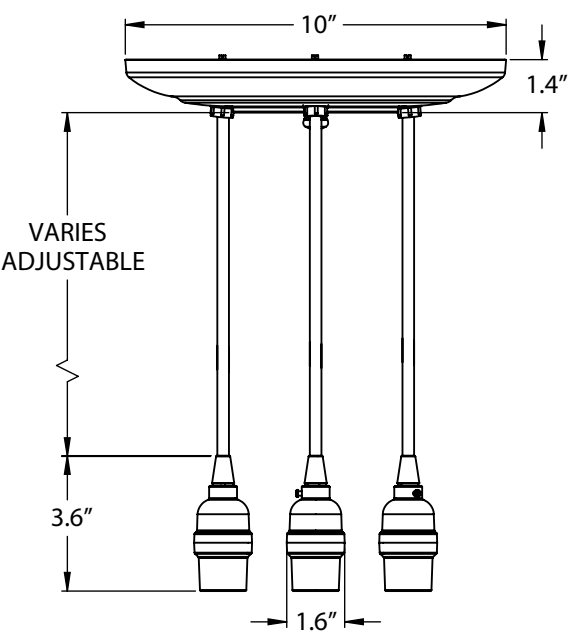
Order Example: BLE - C - SCP01 - NK - 200 - CSGW

A - LIGHT OPTION	C - CANOPY FINISH	D - CORDS
<b>SCP01</b> 3-Light Chandelier <b>LCPO1</b> 5-Light Chandelier	<b>POWDER COAT FINISHES:</b> <b>100</b> Black <b>105</b> Textured Black <b>200</b> White <b>300</b> Dark Green <b>307</b> Emerald Green <b>311</b> Jadite <b>370</b> Mint <b>380</b> Chartreuse <b>390</b> Teal <b>400</b> Barn Red <b>420</b> Orange <b>470</b> Watermelon <b>480</b> Blush Pink <b>490</b> Magenta <b>500</b> Buttery Yellow <b>570</b> Sunflower <b>600</b> Bronze <b>601</b> Chocolate <b>605</b> Rust <b>615</b> Oil-Rubbed Bronze <b>700</b> Royal Blue <b>705</b> Navy <b>710</b> Cobalt Blue <b>715</b> Delphite Blue <b>800</b> Industrial Grey <b>805</b> Charcoal Granite <b>810</b> Graphite <b>975</b> Galvanized	<b>CSA LISTED CORD OPTIONS:</b> <b>SBK</b> Standard Black <b>SWH</b> Standard White <b>CSB</b> Black Cloth <b>CSW</b> White Cloth <b>CSR</b> Red Cloth <b>CSBW</b> Black & White Cloth <b>CSRW</b> Red & White Cloth <b>CSBG</b> Black & Gold Cloth <b>CSBP</b> Black & Pink Cloth <b>CSGW</b> Gold & White Cloth <b>CSUW</b> Blue & White Cloth <b>CSBB</b> Black & Brown Cloth  <b>NON-CSA LISTED CORD OPTIONS:</b> <b>CBK</b> Black Cotton <b>CRZ</b> Red Chevron <b>CMG</b> Grey Cotton <b>TBW</b> Black & White Twist <b>TBK</b> Black Cotton Twist <b>TWH</b> White Cotton Twist <b>TRW</b> Red & White Twist <b>TBR</b> Brown Cotton Twist <b>TBB</b> Brown & Beige Twist <b>TRD</b> Red Cotton Twist <b>TPT</b> Putty Cotton Twist

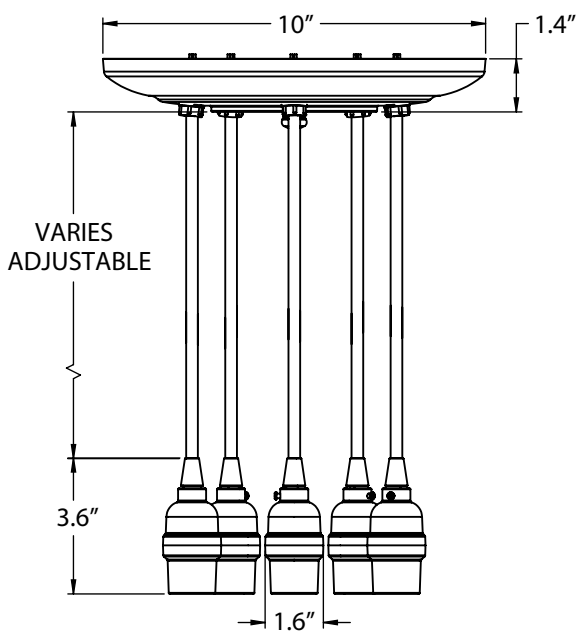
**IMPORTANT:**

**DIMENSIONAL DRAWING**

**3-LIGHT CHANDELIER (SCP01)**



**5-LIGHT CHANDELIER (LCP01)**



**LIGHT SOURCE**

All published luminaire photometric testing performed to IESNA LM-79-08 standards by a NVLAP accredited laboratory. Data is considered to be representative of the configurations shown, within the tolerances allowed by Lighting Facts. To obtain an IES file specific to your project, please contact the factory.

OPTION	WATTAGE	LUMENS <small>*Avg. value, actual value dependent on bulb used</small>	CRI	VOLTAGE	DIMMING
<b>INCANDESCENT (MED E26)</b>					
<b>E26</b>	60W Max	800*	100*	120 VAC	Bulb Dependant

**SPECIFICATIONS**

**DESIGN**

CANOPY  
Hand-Spun, High Purity 0.050" Thick 3003-O Temper Aluminum Canopy

**FINISHES**

POWDER COAT FINISHES  
Polyester Powder Coat Finishes Are Electro-Statically Applied and Thermocured on the Canopy

**CERTIFICATIONS, LISTINGS & WARRANTY**

MADE IN THE USA  
Manufactured and Hand-Crafted in Our 60,000 Square Foot Facility Located in Titusville, FL

CSA LISTED FOR DRY OR DAMP LOCATIONS  
Dependent on Cord Selection, Refer to Website for Additional Information

LIMITED WARRANTY  
For Additional Information on Our Limited Warranty, Please See Our Terms & Conditions