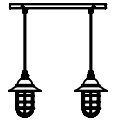




SPS-0017 REV B

# INSIDER 2-LIGHT CHANDELIER

JOB NAME: \_\_\_\_\_ FIXTURE TYPE: \_\_\_\_\_



BLE - C - CCG2 - VAN24 -



Order Example: BLE - C - CCG2 - VAN24 - 400 - SBK - 400 - FS - CCG - 400 - RIB - GU24 - NA

## A - FINISHES

### POWDER COAT FINISHES:

- 100 Black
- 105 Textured Black
- 200 White
- 300 Dark Green
- 307 Emerald Green
- 311 Jadite
- 370 Mint
- 380 Chartreuse
- 390 Teal
- 400 Barn Red
- 420 Orange
- 470 Watermelon
- 480 Blush Pink
- 490 Magenta
- 495 Sherbert Orange
- 500 Buttery Yellow
- 570 Sunflower
- 600 Bronze
- 601 Chocolate
- 605 Rust
- 615 Oil-Rubbed Bronze
- 700 Royal Blue
- 705 Navy
- 710 Cobalt Blue
- 715 Delphite Blue
- 790 Lavender
- 800 Industrial Grey
- 805 Charcoal Granite

## A - FINISHES (CONTINUED)

### POWDER COAT FINISHES:

- 810 Graphite
- 975 Galvanized

## B - CORDS

### CSA LISTED CORD OPTIONS:

- SBK Standard Black Cord
- SWH Standard White Cord
- CSB Black Cloth
- CSW White Cloth
- CMG Grey Cloth
- CSR Red Cloth
- CRZ Red Chevron Cloth
- CSBB Black & Brown Cloth
- CSRW Red & White Cloth
- CSGW Gold & White Cloth
- CSBG Black & Gold Cloth
- CSBW Black & White Cloth
- CSBP Black & Pink Cloth
- CSUW Blue & White Cloth

## C - CEILING CANOPY FINISH

Please Note: See **Section A** for all applicable Ceiling Canopy Finish Options

## D - SHADE OPTION

- NA No Shade
- FS Flared Shade
- WH Warehouse Shade

## E - CAST GUARD OPTION

- WGG Wire Guard
- CGG Standard Cast Guard
- TGG Heavy Duty Cast Guard

## F - CAST GUARD FINISH

Please Note: See **Section A** for all applicable Cast Guard Finish Options

## G - GLASS OPTIONS

- CLR Clear Glass
- FST Frosted Glass
- RIB Ribbed Glass
- BLU Blue Glass
- RED Red Glass
- AMB Amber Glass
- GRN Green Glass

## H - LIGHT SOURCE

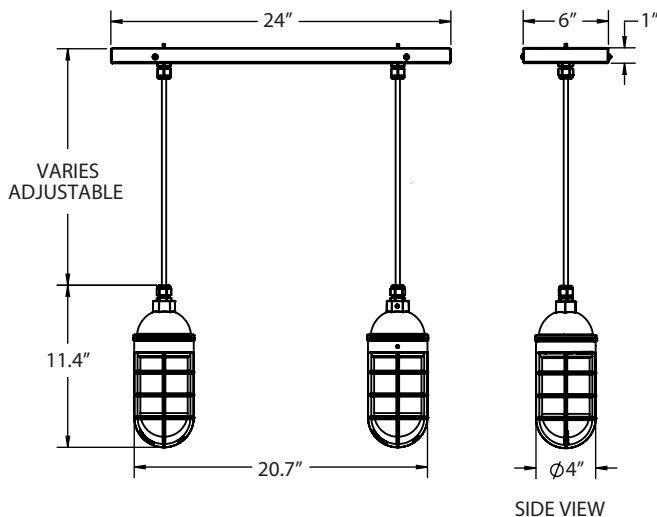
- E26 100 Watt Max
- GU24 24 Bi-Pin, 18W Max<sup>1</sup>
- LED16.8 16W LED, 1600 LM

## I - COLOR TEMPERATURE<sup>2</sup>

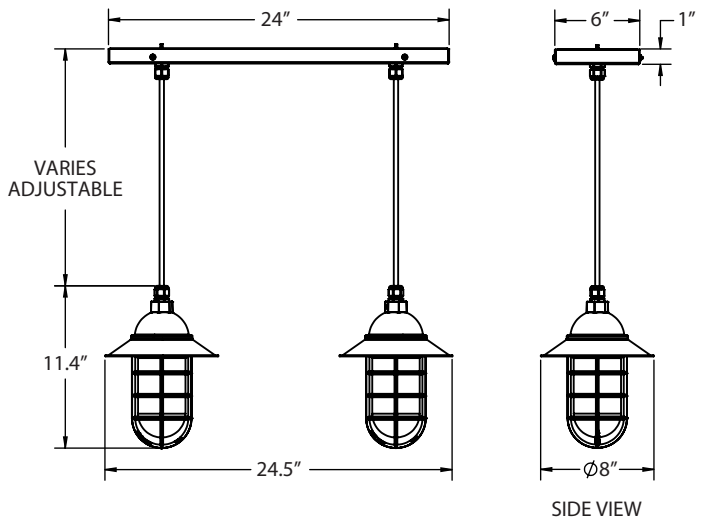
- NA Not Applicable
- 2700K 2700K, Warm White
- 3000K 3000K, Neutral White
- 3500K 3500K, Bright White
- 4000K 4000K, Cool White

IMPORTANT: (1) Fixtures configured with a GU24 socket are non-returnable (2) Selection only applicable if LED16.8 Light Source is selected in Section H, select NA if another Light Source is selected

## MOUNTING DIMENSIONS

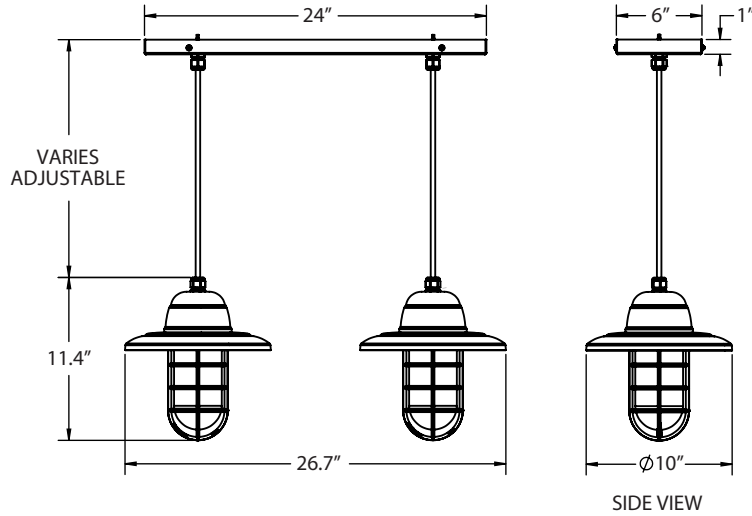


SHOWN WITH: NO SHADE



SHOWN WITH: FLARED SHADE (FS)

**MOUNTING DIMENSIONS (CONTINUED)**



SHOWN WITH: WAREHOUSE SHADE (WS)

**SPECIFICATIONS**

**CERTIFICATIONS, LISTINGS & WARRANTY**

MADE IN THE USA  
 Manufactured and Hand-Crafted in our 60,000 Square Foot Facility  
 Located in Titusville, FL

CSA LISTED FOR DAMP LOCATIONS

LIMITED WARRANTY  
 For Additional Information on our Limited Warranty, Please See  
 Our Terms & Conditions

OPERATING TEMPERATURE  
 -30°C to 40°C

**CONSTRUCTION & FINISH**

VANITY PLATE  
 Crafted from High Quality Galvanized Steel

POWDER COAT FINISHES  
 Polyester Powder Coat Finishes are Electro-Statically Applied and  
 Thermocured

CORD  
 Cord-Hung Pendants Include 7' of Standard Cord or 5' of Cloth  
 Cord +/- For Socket Orientation

MAX FIXTURE WEIGHT  
 10 lbs

**LIGHT SOURCE**

INCANDESCENT  
 Medium Base E26 Socket, 120 VAC, 100W Max

COMPACT FLUORESCENT  
 Bi-Pin Base GU24 Socket, 120 VAC, 18W Max

**LED16.8 LIGHT SOURCE**

LED TYPE: CREE CXB SERIES COB

INITIAL LUMENS DELIVERED: UP TO 1600 LUMENS

L90 (11K) > 61,000 HOURS

AVAILABLE CCT: 2700K, 3000K, 3500K, 4000K  
 Custom Temperatures Available upon Request

90+ CRI (R9 TYPICAL 60)  
 80+ CRI and 95+ CRI (R9 Typical 85) Available upon Request

2 STEP MACADAMS ELLIPSE

EFFICACY: UP TO 95 LPW  
 High Efficacy Available upon Request, Consult Factory for Addition-  
 al Information

**SPECIFICATIONS (CONTINUED)**

**LED16.8 ELECTRICAL/LED DRIVER**

DRIVER TYPE: ERP EBRO20U-0400-42  
DRIVE CURRENT: 400mA  
POWER FACTOR > 0.9  
EFFICIENCY: UP TO 85% TYPICAL  
INPUT VOLTAGE: 120 VAC  
CLASS 2 POWER SUPPLY  
LED DRIVER LIFETIME: > 100,000 HOURS (@ 25 DEG C AMBIENT)  
IP20 MINIMUM RATING CASE WITH SILICONE-BASED POTTING  
PROTECTIONS  
**Output Open Load, Over-Current and Short-Circuit (hiccup), and Over-Temperature with Auto Recovery**  
CONDUCTED AND RADIATED EMI  
**Compliant with FCC CFR Title 47 Part 15 Class B (120 VAC), Class A (277 VAC) and EN55015 (CISPR 15) at 220, 230 and 240 VAC**  
COMPLIANT WITH  
**Complies with Energy Star® DLR (DesignLight Consortium®) and CA Title 24 Technical Requirements**

**DIMMING**

LED 16.8  
**Triac & ELV Dimming at 120VAC, Able to Dim down to 1%.  
Dependent on Specific Dimmer.  
0-10V Dimming Available upon Request.**  
COMPATIBLE DIMMERS  
**Consult Factory for Additional Information on Dimming**