



JOB NAME: _____ FIXTURE TYPE: _____



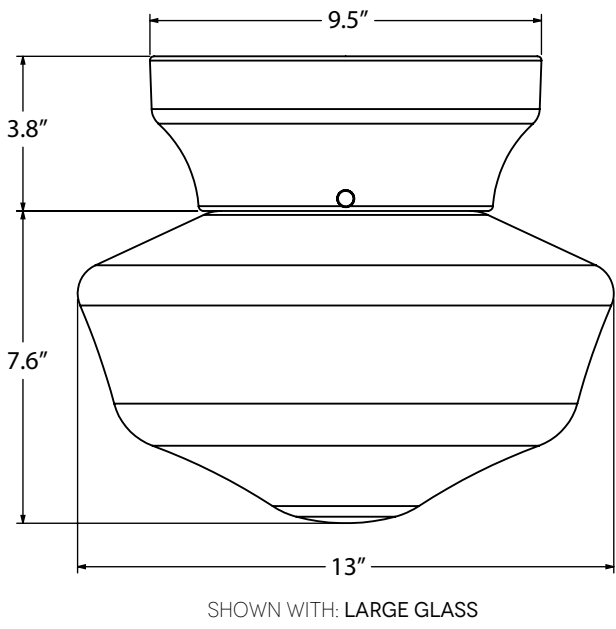
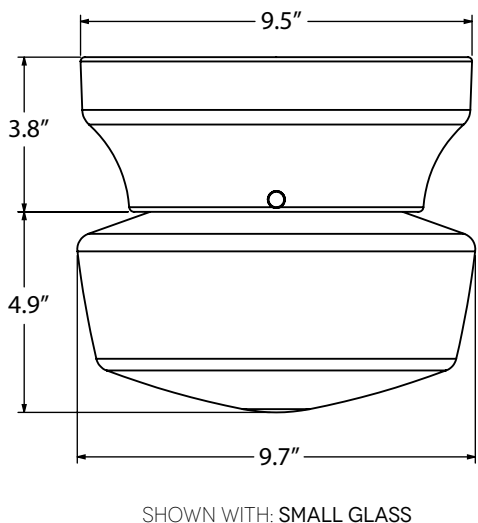
BLE - F - _____ - KAO - _____ - _____ - _____
 A B C D

Order Example: BLE - F - SCH14 - KAO - 300 - PB2 - 300

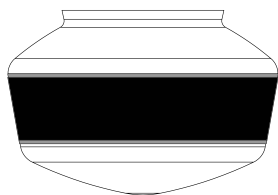
A - GLASS STYLE	B - FINISHES	C - PAINTED BAND	D - PAINTED BAND FINISH	
SCH10 Small Opaque Glass	<i>POWDER COAT FINISHES:</i> 100 Black 105 Textured Black 106 Matte Black 200 White 206 Matte White 300 Dark Green 307 Emerald Green 311 Jadite 370 Mint 380 Chartreuse 390 Teal 400 Barn Red 420 Orange 470 Watermelon 480 Blush Pink 490 Magenta 495 Sherbet Orange 500 Buttery Yellow 570 Sunflower 600 Bronze 601 Chocolate 605 Rust 615 Oil-Rubbed Bronze 700 Royal Blue 705 Navy 710 Cobalt Blue 715 Delphite Blue 790 Lavender 800 Industrial Grey 805 Charcoal Granite 810 Graphite	NA No Painted Band	NA Not Applicable	
SCH14 Large Opaque Glass		100 Black	PB1 Single Painted Band	100 Black
SCHCL10 Small Clear Glass		105 Textured Black	PB2 Double Painted Band	200 White ¹
SCHCL14 Large Clear Glass		106 Matte Black	PB3 Triple Painted Band	307 Emerald Green
		200 White		311 Jadite
		206 Matte White		390 Teal
		300 Dark Green		400 Barn Red
		307 Emerald Green		490 Magenta
		311 Jadite		500 Buttery Yellow
		370 Mint		600 Bronze
		380 Chartreuse		700 Royal Blue
		390 Teal		705 Navy
		400 Barn Red		715 Delphite Blue
		420 Orange		
		470 Watermelon		
		480 Blush Pink		
		490 Magenta		
		495 Sherbet Orange		
		500 Buttery Yellow		
	570 Sunflower			
	600 Bronze			
	601 Chocolate			
	605 Rust			
	615 Oil-Rubbed Bronze			
	700 Royal Blue			
	705 Navy			
	710 Cobalt Blue			
	715 Delphite Blue			
	790 Lavender			
	800 Industrial Grey			
	805 Charcoal Granite			
	810 Graphite			

IMPORTANT: (1) White finish not recommended if Opaque Glass is selected in Section A, as it blends into opaque glass

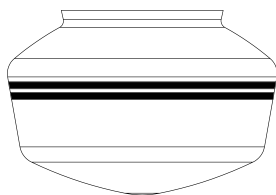
MOUNTING DIMENSIONS



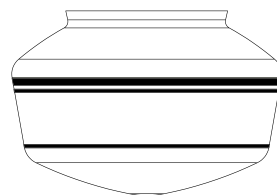
PAINTED BANDS



PB1 SINGLE PAINTED BAND



PB2 DOUBLE PAINTED BAND



PB3 TRIPLE PAINTED BAND

SPECIFICATIONS

CERTIFICATIONS, LISTINGS & WARRANTY

MADE IN THE USA
Manufactured and Hand-Crafted in Our 60,000 Square Foot Facility
Located in Titusville, FL

CSA LISTED FOR DAMP LOCATIONS

LIMITED WARRANTY
For Additional Information on Our Limited Warranty, Please See
Our Terms & Conditions

LIGHT SOURCE

INCANDESCENT
E26 Medium Base Socket, 100W Max, 120 VAC

CONSTRUCTION & FINISH

MATERIALS
Fitter Constructed from Durable Porcelain Ceramic

POWDER COAT FINISHES
Polyester Powder Coat Finishes are Electro-Statically Applied and
Thermocured