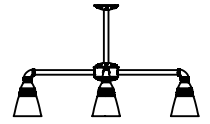




SPS-0307 REV D

LAFAYETTE SOHO 4-LIGHT CHANDELIER

JOB NAME: _____ FIXTURE TYPE: _____



BLE - S - CH015 - _____ - _____ - _____ - _____ - _____
A B C D E

Order Example: BLE - S - CH015 - 370 - ST536 - SC - 370 - E26

A - SHADE FINISH

POWDER COAT FINISHES¹:

100	Black
105	Textured Black
106	Matte Black
200	White
206	Matte White
300	Dark Green
307	Emerald Green
311	Jadite
370	Mint
380	Chartreuse
390	Teal
400	Barn Red
420	Orange
470	Watermelon
480	Blush Pink
490	Magenta
495	Sherbet Orange
500	Buttery Yellow
570	Sunflower
600	Bronze
601	Chocolate
605	Rust
615	Oil-Rubbed Bronze

A - SHADE FINISH (CONTINUED)

POWDER COAT FINISHES¹:

700	Royal Blue
705	Navy
710	Cobalt Blue
715	Delphite Blue
790	Lavender
800	Industrial Grey
805	Charcoal Granite
810	Graphite
975	Galvanized

NATURAL METALS²:

995	Raw Copper
996	Weathered Copper
997	Raw Brass
998	Weathered Brass
999	Oil-Rubbed Copper

B - MOUNTING

STEM MOUNT OPTIONS:

ST506	.5" Stem Mount, 6"
ST512	.5" Stem Mount, 12"
ST518	.5" Stem Mount, 18"

B - MOUNTING (CONTINUED)

STEM MOUNT OPTIONS:

ST524	.5" Stem Mount, 24"
ST536	.5" Stem Mount, 36"
ST548	.5" Stem Mount, 48"

C - CANOPY

SC	Standard Canopy
HSC	Hang Straight Canopy
HDSMC	Heavy Duty Stem Mount Canopy

D - MOUNTING FINISH

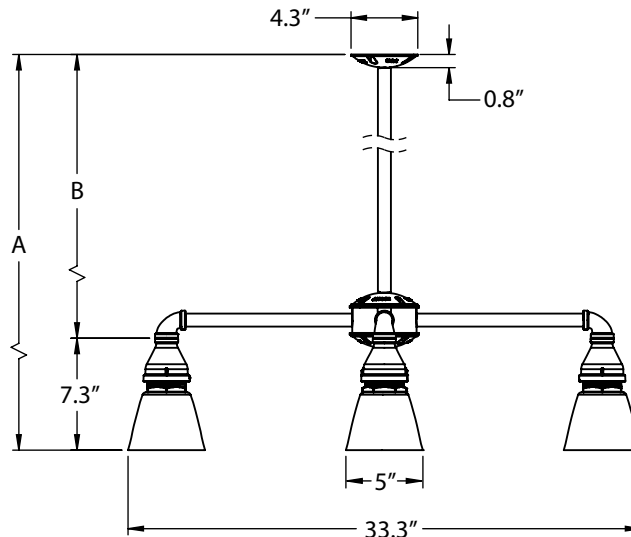
Please Note: See Section A for all finish options. Mounting finish includes all components excluding the shades.
 (1) Natural Metals are not applicable for mounting finish.

E - LIGHT SOURCE

E26	150 Watt Max
GU24	24 Bi-Pin CFL, 23W Max ³

IMPORTANT: (1) All Powder Coat finished shades, excluding 975-Galvanized, feature a white interior (2) Natural Metals have a longer estimated manufacturing time, please check the website for exact lead time. There are no returns accepted on Natural Metals (3) Fixtures configured with GU24 socket are non-returnable

MOUNTING DIMENSIONS



STEM LENGTH	OVERALL HEIGHT (A)	MOUNTING HEIGHT (B)
06 (6" Stem)	16"	8.7"
12 (12" Stem)	22"	14.7"
18 (18" Stem)	28"	20.7"
24 (24" Stem)	34"	26.7"
36 (36" Stem)	46"	38.7"
48 (48" Stem)	58"	50.7"

CANOPY VARIATIONS

<p>HANG STRAIGHT CANOPY (HSC)</p>	<p>HEAVY DUTY STEM MOUNT CANOPY (HDSMC)</p>
-----------------------------------	---

SPECIFICATIONS

CERTIFICATIONS, LISTINGS & WARRANTY

MADE IN THE USA
Manufactured and Hand-Crafted in Our 60,000 Square Foot Facility
Located in Titusville, FL

CSA LISTED FOR DAMP LOCATIONS

LIMITED WARRANTY
For Additional Information on Our Limited Warranty, Please See
Our Terms & Conditions

LIGHT SOURCE

INCANDESCENT
(4x) Medium Base E26 Socket, 120 VAC, 150 Watt Max

COMPACT FLUORESCENT
(4x) Bi-Pin Base GU24 Socket, 120 VAC, 23 Watt Max

CONSTRUCTION & FINISH

POWDER COAT SHADE
Hand-Spun from High Purity 3003-O Temper Aluminum

POWDER COAT FINISHES
Polyester Powder Coat Finishes are Electro-Staticly Applied and
Thermocured on the Shade

GALVANIZED SHADE
Spun from High Quality Galvanized Steel

COPPER
Hand-Spun from High Purity C11000-O60 ETP Copper

BRASS
Hand-Spun from High Purity C2600-O60 Brass

STEM
1/2" Nominal (0.84" Actual) Sch 40, 6063 Aluminum Mounting
Stem. Custom Lengths Available upon Request.