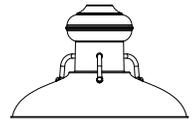


**LARAMIE INTEGRATED LED SERIES**

JOB NAME: _____ FIXTURE TYPE: _____



BLE - _____ - _____ - _____ - _____ - _____ - _____ - _____ - _____

A B C D E F G

_____ - _____ - _____ - _____

H I J K

Order Example: BLE - C - LAR16 - 400 - CRZ - 400 - WC - 400 - NA - LED16 - 2700K - DL

A - MOUNTING STYLE

C	Cord Hung
F	Flush Mount
G	Gooseneck
S	Stem Mount

B - SHADE SIZE**LARAMIE:**

LAR12	12" Shade
LAR16	16" Shade

C - SHADE FINISH**POWDER COAT FINISHES¹:**

100	Black
105	Textured Black
106	Matte Black
200	White
206	Matte White
300	Dark Green
307	Emerald Green
311	Jadite
370	Mint
380	Chartreuse
390	Teal
400	Barn Red
420	Orange
470	Watermelon
480	Blush Pink
490	Magenta
495	Sherbet Orange
500	Buttery Yellow
570	Sunflower
600	Bronze
601	Chocolate
605	Rust
615	Oil-Rubbed Bronze
700	Royal Blue
705	Navy
710	Cobalt Blue
715	Delphite Blue
790	Lavender
800	Industrial Grey
805	Charcoal Granite
810	Graphite
975	Galvanized

D - MOUNTING*Please Note: If Flush Mount [F] is selected in Section A, please select **NA*****NA** Not Applicable**CSA LISTED CORDS:**

SBK	Standard Black
SWH	Standard White
CSB	Black Cloth
CSW	White Cloth
CMG	Grey Cloth
CSR	Red Cloth
CRZ	Red Chevron Cloth
CSBB	Black & Brown Cloth
CSRW	Red & White Cloth
CSGW	Gold & White Cloth
CSBG	Black & Gold Cloth
CSBW	Black & White Cloth
CSBP	Black & Pink Cloth
CSUW	Blue & White Cloth

GOOSENECK OPTIONS:

G1	G11	G26
G2	G12	G32
G3²	G13	G34
G4²	G14	G35
G5	G15	G36
G6	G16	G64
G7	G17	G65
G8	G22	
G9	G24	
G10	G25	

STEM MOUNT OPTIONS:

ST506	.5" Stem Mount, 6"
ST512	.5" Stem Mount, 12"
ST518	.5" Stem Mount, 18"
ST524	.5" Stem Mount, 24"
ST536	.5" Stem Mount, 36"
ST548	.5" Stem Mount, 48"
ST706	.75" Stem Mount, 6"
ST712	.75" Stem Mount, 12"
ST718	.75" Stem Mount, 18"
ST724	.75" Stem Mount, 24"
ST736	.75" Stem Mount, 36"
ST748	.75" Stem Mount, 48"

E - MOUNTING FINISH*Please Note: See Section C for Finish Options. 980-Brushed Aluminum is also available for Gooseneck (Not Available with G36, G64 & G65) and Stem mounting styles.**(I) If Cord Hung [C], selection identifies canopy finish**(II) If Stem Mount [S] Mounting Style, selection identifies stem and canopy finish**(Iii) If Flush Mount [F] Mounting Style, selection identifies hex coupler and canopy finish.***980** Brushed Aluminum**F - SHADE ACCESSORY**

NA	None
WC	Wire Cage

G - SHADE ACCESSORY FINISH*Please Note: See Section C for Finish Options. If no accessory is selected in Section F, please select **NA*****NA** Not Applicable**H - MOUNTING ACCESSORY***Please Note: Mounting Accessories below are only applicable with select Mounting Styles. Please refer to product listings on our website for further detail*

NA	None/Not Applicable
HSC	Hang Straight Canopy ³
LDBPC	LED Decorative Backing Plate Cover ^{4,5}
LDCHX	LED Decorative Backing Plate Cover & Hex Cover ^{4,5}

I - LIGHT SOURCE

LED11	850 Lumen
LED16	1250 Lumen
LED27	2000 Lumen

J - COLOR TEMPERATURE

2700K	2700K, Warm White
3000K	3000K, Neutral White
3500K	3500K, Bright White
4000K	4000K, Cool White

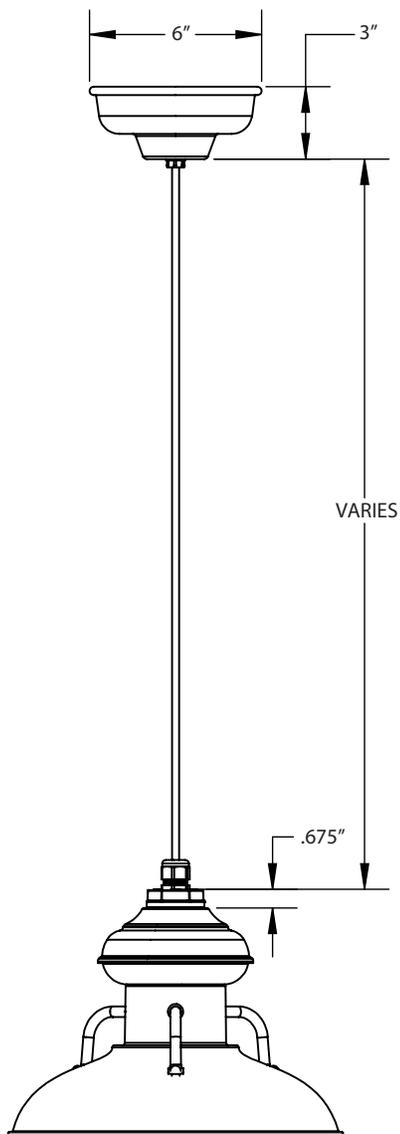
K - LED LENS

DL	Domed Lens
FL	Flat Lens

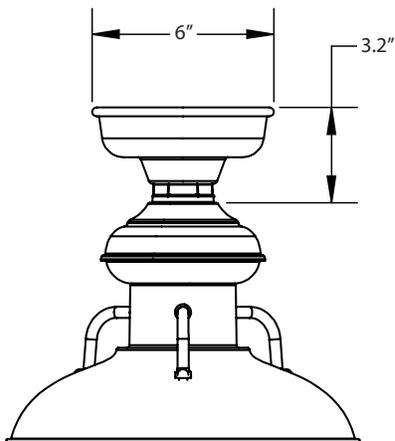
IMPORTANT: (1) All Powder Coat finished shades, Galvanized excluded, feature a white interior (2) Not compatible with 16" shade size (3) Only applicable if Stem Mounting Style is selected in Section A (4) Only available if Gooseneck Mounting Style is selected in Section A (5) Not available with G3, G4, G11, G15, & G26 Gooseneck option

MOUNTING STYLE

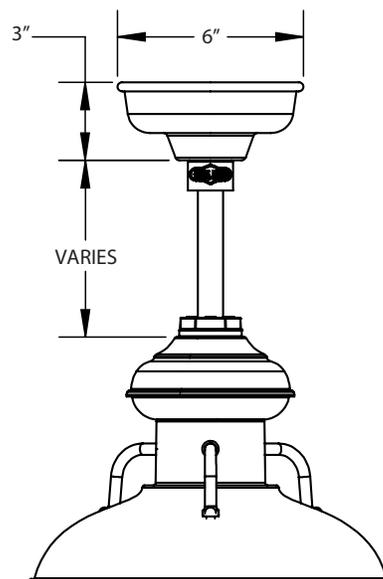
CORD HUNG PENDANT (C)



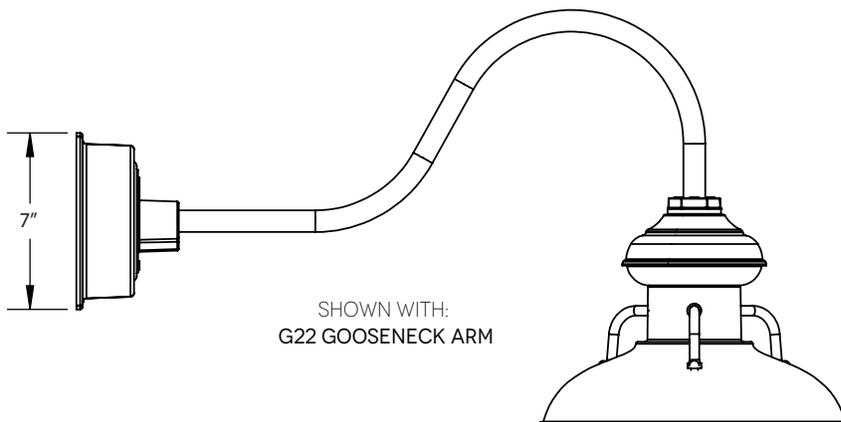
FLUSH MOUNT (F)



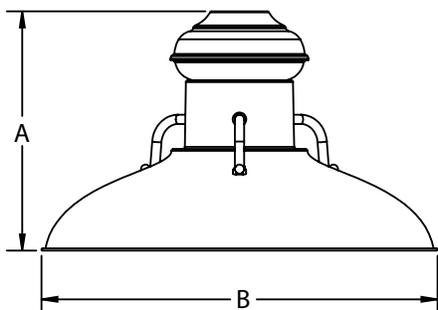
STEM MOUNT PENDANT (S)



GOOSENECK (G)



LUMINAIRE DIMENSIONS



SHADE CODE	HEIGHT (A)	DIAMETER (B)
LAR10	6.7"	10"
LAR12	8"	12"
LAR14	9.3"	14"
LAR16	10"	16"

SPECIFICATIONS**CERTIFICATIONS, LISTINGS & WARRANTY**

MADE IN THE USA
**Manufactured and Hand-Crafted in Our 60,000 Square Foot Facility
 Located in Titusville, FL**

CSA LISTED FOR WET LOCATIONS
Includes All Gooseneck, Stem and Flush Mounting Styles

CSA LISTED FOR DAMP LOCATIONS
Includes All Cord Hung Mounting Styles

LIMITED WARRANTY
**For Additional Information on Our Limited Warranty, Please See
 Our Terms & Conditions**

CONSTRUCTION & FINISH

POWDER COAT SHADE
Hand-Spun from High Purity 3003-O Temper Aluminum

GALVANIZED SHADE
Hand Spun from High Quality Galvanized Steel

POWDER COAT FINISHES
**Polyester Powder Coat Finishes Are Electro-Statically Applied and
 Thermocured**

STEM
**1/2" Nominal (0.84" Actual) or 3/4" Nominal (1.05" Actual) Sch 40,
 6063 Aluminum Mounting Stem. Custom Lengths Available upon
 Request.**

GOOSENECK
**1/2" Nominal (0.84" Actual) or 3/4" Nominal (1.05" Actual) Sch 40,
 6063 Aluminum Gooseneck**

CORD
**Cord-Hung Pendants Include 7' of Standard Cord or 5' of Cloth
 Cord, +/- For Socket Orientation**

LED LIGHT SOURCE

AVAILABLE CCT: 2700K, 3000K, 3500K, 4000K

90+ CRI

ELECTRICAL/LED DRIVER

POWER FACTOR > 0.9

EFFICIENCY: UP TO 87% TYPICAL

INPUT VOLTAGE: 120-277 VAC (SEE DIMMING SECTION)

CLASS 2 POWER SUPPLY

LED DRIVER LIFETIME: > 100,000 HOURS (@ 25 DEG C AMBIENT)

IP64 MINIMUM RATING CASE WITH SILICONE-BASED POTTING

PROTECTIONS

**Output Open Load, Over-Current and Short-Circuit (Hiccup), and
 Over-Temperature with Auto Recovery**

CONDUCTED AND RADIATED EMI

**Compliant with FCC CFR Title 47 Part 15 Class B (120 VAC), Class A
 (277 VAC) and EN55015 (CISPR 15) at 220, 230 and 240 VAC**

COMPLIANT WITH

**Complies with Energy Star® DLR (DesignLight Consortium®) and CA
 Title 24 Technical Requirements**

DIMMING

TRI-MODE DIMMING™
**Compatible with TRIAC (Forward-Phase or Leading-Edge), ELV
 (Reverse-Phase or Trailing-Edge) and 0-10 V Dimmers**

TRIAC AND ELV DIMMING ONLY AT 120 VAC

DIMMING RANGE 1-100%
**The Dimming Range is Dependent on Each Specific Dimmer. May
 not be able to Achieve 1% Dimming with Some Dimmers**

ELV DIMMING AT 230 VAC
 Available by Request