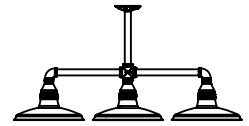




SPS-0304 REV C

# MARATHON SOHO 3-LIGHT CHANDELIER

JOB NAME: \_\_\_\_\_ FIXTURE TYPE: \_\_\_\_\_



BLE - S - CH019 - \_\_\_\_\_ - \_\_\_\_\_ - \_\_\_\_\_ - \_\_\_\_\_ - \_\_\_\_\_  
A B C D E

Order Example: BLE - S - CH019 - 390 - ST736 - HSC - 390 - E26

### A - SHADE FINISH

**POWDER COAT FINISHES<sup>1</sup>:**

100	Black
105	Textured Black
106	Matte Black
200	White
206	Matte White
300	Dark Green
307	Emerald Green
311	Jadite
370	Mint
380	Chartreuse
390	Teal
400	Barn Red
420	Orange
470	Watermelon
480	Blush Pink
490	Magenta
495	Sherbet Orange
500	Buttery Yellow
570	Sunflower
600	Bronze
601	Chocolate

### A - SHADE FINISH (CONTINUED)

**POWDER COAT FINISHES<sup>1</sup>:**

605	Rust
615	Oil-Rubbed Bronze
700	Royal Blue
705	Navy
710	Cobalt Blue
715	Delphite Blue
790	Lavender
800	Industrial Grey
805	Charcoal Granite
810	Graphite
975	Galvanized

### B - MOUNTING

**STEM MOUNT OPTIONS:**

ST706	.75" Stem Mount, 6"
ST712	.75" Stem Mount, 12"
ST718	.75" Stem Mount, 18"
ST724	.75" Stem Mount, 24"
ST736	.75" Stem Mount, 36"
ST748	.75" Stem Mount, 48"

### C - CANOPY

SC	Standard Canopy
HSC	Hang Straight Canopy
HDSMC	Heavy Duty Stem Mount Canopy

### D - MOUNTING FINISH

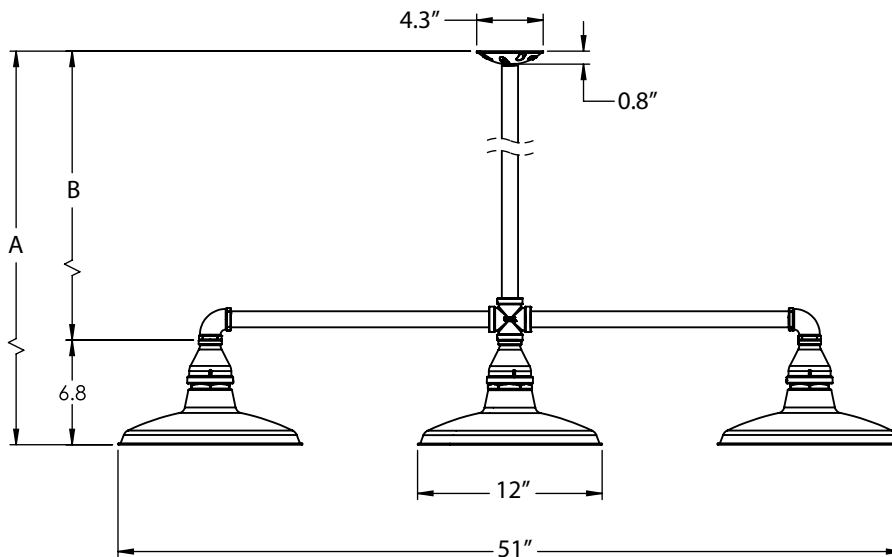
*Please Note: See Section A for Finish Options. Mounting finish includes all components excluding the shades.*

### E - LIGHT SOURCE

E26	200 Watt Max
GU24	24 Bi-Pin CFL, 23W Max <sup>2</sup>

**IMPORTANT:** (1) All Powder Coat finished shades, excluding 975-Galvanized, feature a white interior (2) Fixtures configured with GU24 socket are non-returnable

## MOUNTING DIMENSIONS



STEM LENGTH	OVERALL HEIGHT (A)	MOUNTING HEIGHT (B)
06 (6" Stem)	15.2"	8.4"
12 (12" Stem)	21.2"	14.4"
18 (18" Stem)	27.2"	20.4"
24 (24" Stem)	33.2"	26.4"
36 (36" Stem)	45.2"	38.4"
48 (48" Stem)	57.2"	50.4"

### CANOPY VARIATIONS

<p>HANG STRAIGHT CANOPY (HSC)</p>	<p>HEAVY DUTY STEM MOUNT CANOPY (HDSMC)</p>
-----------------------------------	---------------------------------------------

**SPECIFICATIONS**

**CERTIFICATIONS, LISTINGS & WARRANTY**

MADE IN THE USA  
Manufactured and Hand-Crafted in Our 60,000 Square Foot Facility  
Located in Titusville, FL

CSA LISTED FOR DAMP LOCATIONS

LIMITED WARRANTY  
For Additional Information on Our Limited Warranty, Please See  
Our Terms & Conditions

**LIGHT SOURCE**

INCANDESCENT  
(3x) Medium Base E26 Socket, 120 VAC, 150 Watt Max

COMPACT FLUORESCENT  
(3x) Bi-Pin Base GU24 Socket, 120 VAC, 23 Watt Max

**CONSTRUCTION & FINISH**

POWDER COAT SHADE  
Hand-Spun from High Purity 3003-O Temper Aluminum

GALVANIZED SHADE  
Hand Spun from High Quality Galvanized Steel

POWDER COAT FINISHES  
Polyester Powder Coat Finishes Are Electro-Statically Applied and  
Thermocured on the Shade

STEM  
3/4" Nominal (1.05" Actual) Sch 40, 6063 Aluminum Mounting  
Stem. Custom Lengths Available upon Request