



SPS-0518 REV C

MAVEN STEM CHANDELIER

JOB NAME: _____ FIXTURE TYPE: _____

BLE - C - CH012 - STM - _____ - _____
A **B**

Order Example: BLE - C - CH012 - STM - 400 - SBK

A - FINISHES**POWDER COAT FINISHES:**

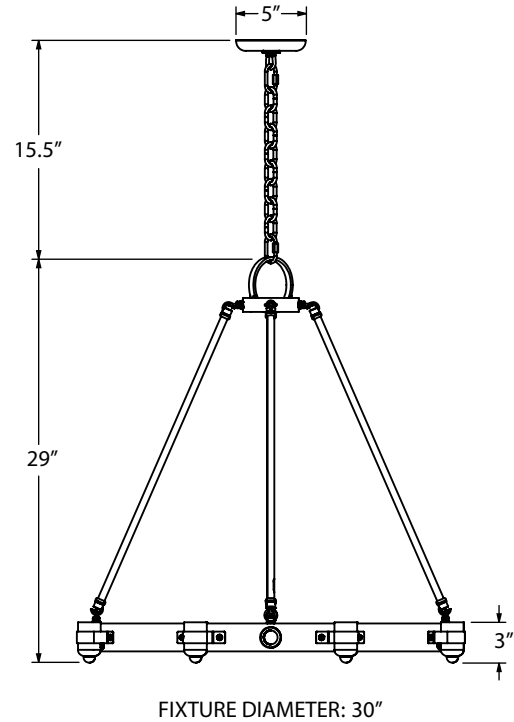
100	Black
105	Textured Black
106	Matte Black
200	White
206	Matte White
300	Dark Green
307	Emerald Green
311	Jadite
370	Mint
380	Chartreuse
390	Teal
400	Barn Red
420	Orange
470	Watermelon
480	Blush Pink
490	Magenta
495	Sherbet Orange
500	Buttery Yellow
570	Sunflower
600	Bronze
601	Chocolate
605	Rust
615	Oil-Rubbed Bronze
700	Royal Blue
705	Navy
710	Cobalt Blue
715	Delphite Blue
790	Lavender
800	Industrial Grey
805	Charcoal Granite

A - FINISHES (CONTINUED)**POWDER COAT FINISHES:**

810	Graphite
975	Galvanized

B - CORDS

SBK	Standard Black Cord
SWH	Standard White Cord

MOUNTING DIMENSIONS

FIXTURE DIAMETER: 30"

IMPORTANT:**SPECIFICATIONS****CERTIFICATIONS, LISTINGS & WARRANTY**

MADE IN THE USA
Manufactured and Hand-Crafted in Our 60,000 Square Foot Facility
Located in Titusville, FL

UL LISTED FOR DAMP LOCATION ONLY

LIMITED WARRANTY
For Additional Information on Our Limited Warranty, Please See
Our Terms & Conditions

CONSTRUCTION & FINISH (CONTINUED)

MOUNTING RING
Sch 40 Aluminum

STEMS
Crafted from 1/2" O.D. Aluminum Tubing

POWDER COAT FINISHES
Polyester Powder Coat Finishes Are Electro-Statically Applied and
Thermocured

CONSTRUCTION & FINISH

CANOPY & SOCKET CUP
Hand-Spun, High Purity 3003-O Temper Aluminum

CHAIN
4-Gauge Chain Complete with Quick Link for On-Site Adjustments
to Chain's Length

MAVEN HOOP
High Quality 6063-T52 Aluminum

LIGHT SOURCE

INCANDESCENT
(8x) Medium Base E26 Sockets, 40W Max Each, 120 VAC