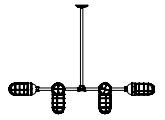




SPS-0625 REV A

# MERCURY LED 8-LIGHT CHANDELIER

JOB NAME: \_\_\_\_\_ FIXTURE TYPE: \_\_\_\_\_



BLE - S - CGG - CH004 - \_\_\_\_\_ - \_\_\_\_\_ - \_\_\_\_\_ - \_\_\_\_\_ - \_\_\_\_\_ - \_\_\_\_\_

A
B
C
D
E

F
G
H

LED16.8

Order Example: BLE - S - CGG - CH004 - 100 - ST536 - SC - CGG - 100 - FST - LED16.8 - 2700K

A - FINISHES	
<i>POWDER COAT FINISHES:</i>	
100	Black
105	Textured Black
106	Matte Black
200	White
206	Matte White
300	Dark Green
307	Emerald Green
311	Jadite
370	Mint
380	Chartreuse
390	Teal
400	Barn Red
420	Orange
470	Watermelon
480	Blush Pink
490	Magenta
495	Sherbet Orange
500	Buttery Yellow
570	Sunflower
600	Bronze
601	Chocolate
605	Rust
615	Oil-Rubbed Bronze
700	Royal Blue
705	Navy
710	Cobalt Blue
715	Delphite Blue
790	Lavender

A - FINISHES (CONTINUED)	
<i>POWDER COAT FINISHES:</i>	
800	Industrial Grey
805	Charcoal Granite
810	Graphite
975	Galvanized

B - STEM LENGTH	
<i>STEM MOUNT OPTIONS:</i>	
ST506	.5" Stem Mount, 6"
ST512	.5" Stem Mount, 12"
ST518	.5" Stem Mount, 18"
ST524	.5" Stem Mount, 24"
ST536	.5" Stem Mount, 36"
ST548	.5" Stem Mount, 48"

C - CANOPY	
SC	Standard Canopy
HSC	Hang Straight Canopy
HDSMC	Heavy Duty Stem Mount Canopy

D - CAST GUARD OPTION	
CGG	Standard Cast Guard
TGG	Heavy Duty Cast Guard
WGG	Wire Guard

**E - CAST GUARD FINISH**

*Please Note: See Section A for all applicable Cast Guard Finish Options.*

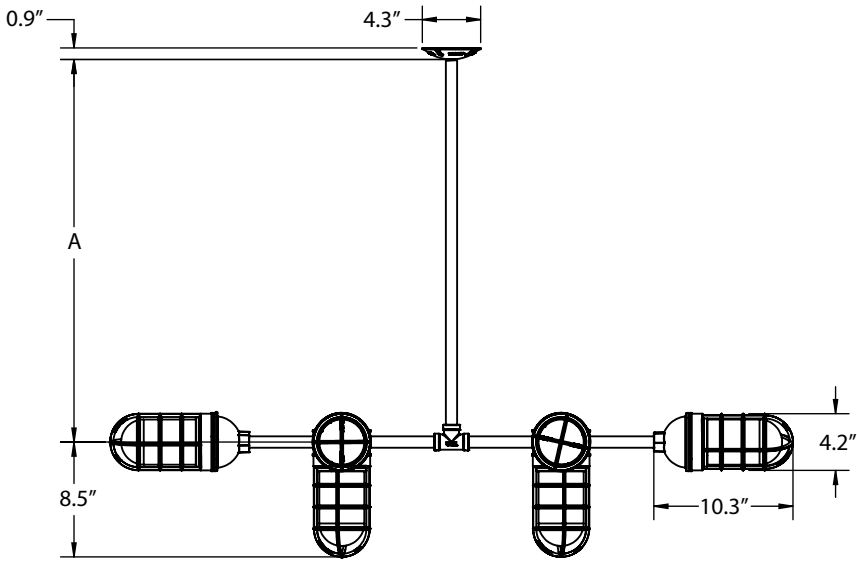
F - GLASS OPTIONS	
CLR	Clear Glass
FST	Frosted Glass
RIB	Ribbed Glass
SMK	Smoke Crackle Glass
BLU	Blue Glass
RED	Red Glass
AMB	Amber Glass
GRN	Green Glass

G - LIGHT SOURCE	
LED16.8	1600 Lumen, 16W LED

H - COLOR TEMPERATURE	
2700K	2700K, Warm White
3000K	3000K, Neutral White
3500K	3500K, Bright White
4000K	4000K, Cool White

**IMPORTANT:**

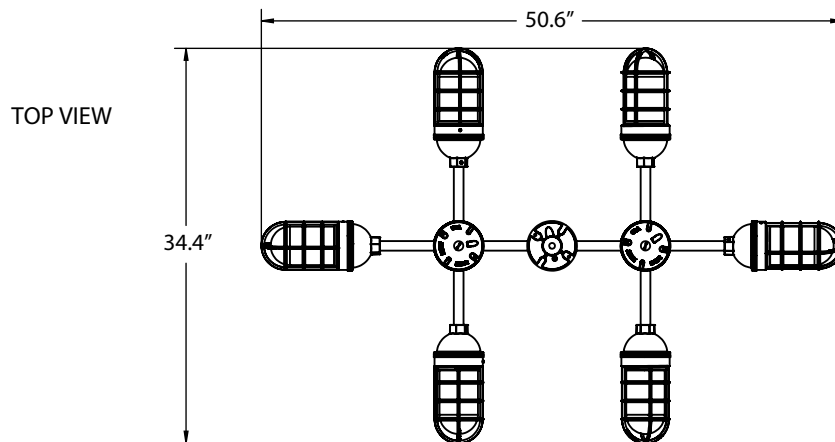
## MOUNTING DIMENSIONS



SHOWN ABOVE WITH: STANDARD CANOPY

STEM LENGTH	HEIGHT (A)
06 (6" Stem)	6.2"
12 (12" Stem)	12.2"
18 (18" Stem)	18.2"
24 (24" Stem)	24.2"
36 (36" Stem)	36.2"
48 (48" Stem)	48.2"

**MOUNTING DIMENSIONS (CONTINUED)**



**SPECIFICATIONS**

**CERTIFICATIONS, LISTINGS & WARRANTY**

MADE IN THE USA  
 Manufactured and Hand-Crafted in our 60,000 Square Foot Facility  
 Located in Titusville, FL

CSA LISTED FOR DAMP LOCATIONS

LIMITED WARRANTY  
 For Additional Information on our Limited Warranty, Please See  
 Our Terms & Conditions

OPERATING TEMPERATURE  
 -30°C to 40°C

**CONSTRUCTION & FINISH**

STEM  
 1/2" Nominal (0.84" Actual) Aluminum Mounting Stem. Custom  
 Lengths Available Upon Request.

POWDER COAT FINISHES  
 Polyester Powder Coat Finishes are Electro-Statically Applied and  
 Thermocured

MAX FIXTURE WEIGHT  
 10 lbs

**LED16.8 LIGHT SOURCE**

LED TYPE: CREE CXB-2530 COB

INITIAL LUMENS DELIVERED: UP TO 1600 LUMENS

L90 (11K) > 61,000 HOURS

AVAILABLE CCT: 2700K, 3000K, 3500K, 4000K  
 Custom Temperatures Available upon Request

90+ CRI (R9 TYPICAL 60)  
 80+ CRI and 95+ CRI (R9 Typical 85) Available upon Request

2 STEP MACADAMS ELLIPSE

EFFICACY: UP TO 95 LPW  
 High Efficacy Available upon Request, Consult Factory for  
 Additional Information

**ELECTRICAL/LED DRIVER**

DRIVER TYPE: ERP EBRO20U-0400-42

DRIVE CURRENT: 400mA

POWER FACTOR > 0.9

EFFICIENCY: UP TO 85% TYPICAL

INPUT VOLTAGE: 120 VAC

CLASS 2 POWER SUPPLY

LED DRIVER LIFETIME: > 100,000 HOURS (@ 25 DEG C AMBIENT)

IP20 MINIMUM RATING CASE WITH SILICONE-BASED POTTING

PROTECTIONS  
 Output Open Load, Over-Current and Short-Circuit (hiccup), and  
 Over-Temperature with Auto Recovery

CONDUCTED AND RADIATED EMI  
 Compliant with FCC CFR Title 47 Part 15 Class B (120 Vac), Class A  
 (277 Vac) and EN55015 (CISPR 15) at 220, 230 and 240 Vac

COMPLIANT WITH  
 Complies with Energy Star® DLR (DesignLight Consortium®) and CA  
 Title 24 Technical Requirements

**DIMMING**

DIMMING RANGE 1-100%  
 The Dimming Range Is Dependent on Each Specific Dimmer. May  
 Not Be Able to Achieve 1% Dimming with Some Dimmers

TRIAC AND ELV DIMMING ONLY AT 120 VAC

ELV DIMMING AT 230 VAC  
 Available by Request

COMPATIBLE DIMMERS  
 Consult Factory for Additional Information on Dimming