



REV 06.26.18

THE MERGER 2-LIGHT CHANDELIER

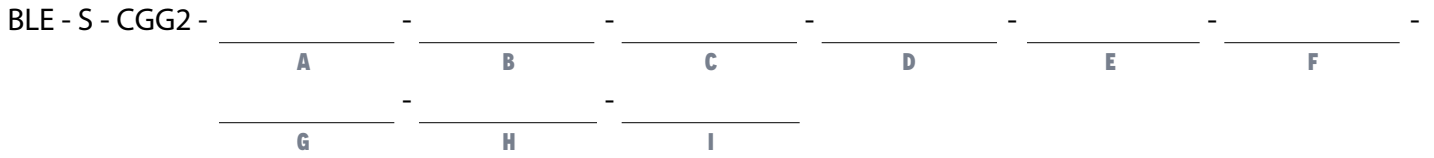
BARN LIGHT CHANDELIER COLLECTION

Max Weight: 10.0 lbs

PROJECT NAME _____

PROJECT TYPE _____

SPS-0014



Order Example: BLE - S - CGG2 - 200 - ST548 - HSC - FS - WGG - 200 - FST - GU24 - NA

A - FINISHES

POWDER COAT FINISHES:

- 100** Black
- 105** Textured Black
- 200** White
- 300** Dark Green
- 307** Emerald Green
- 311** Jadite
- 370** Mint
- 380** Chartreuse
- 390** Teal
- 400** Barn Red
- 420** Orange
- 470** Watermelon
- 480** Blush Pink
- 490** Magenta
- 500** Buttery Yellow
- 570** Sunflower
- 600** Bronze
- 601** Chocolate
- 605** Rust
- 615** Oil-Rubbed Bronze
- 700** Royal Blue
- 705** Navy
- 710** Cobalt Blue
- 715** Delphite Blue
- 800** Industrial Grey
- 805** Charcoal Granite
- 810** Graphite
- 975** Galvanized

B - MOUNTING

STEM MOUNT OPTIONS:

- ST506** .5" Stem Mount, 6"
- ST512** .5" Stem Mount, 12"
- ST518** .5" Stem Mount, 18"
- ST524** .5" Stem Mount, 24"
- ST536** .5" Stem Mount, 36"
- ST548** .5" Stem Mount, 48"

C - CANOPY

- SC** Standard Canopy
- HSC** Hang Straight Canopy
- HDSMC** Heavy Duty Stem Mount Canopy

D - OPTIONAL SHADE

- NA** No Shade
- FS** Flared Shade
- WH** Warehouse Shade

E - CAST GUARD OPTION

- WGG** Wire Guard
- CGG** Standard Cast Guard
- TGG** Heavy Duty Cast Guard

F - CAST GUARD FINISH

Please Note: See Section A for all applicable Cast Guard Finish Options

G - GLASS OPTIONS

- CLR** Clear Glass¹
- FST** Frosted Glass
- RIB** Ribbed Glass
- CCR** Clear Crackle Glass
- SMK** Smoke Crackle Glass
- HCR** Honey Crackle Glass

H - LIGHT SOURCE

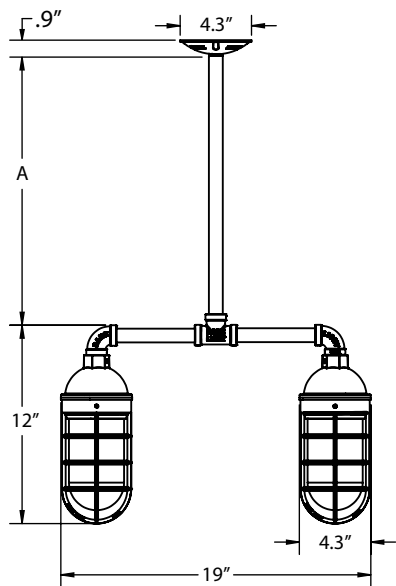
- E26** 100 Watt Max
- GU24** 24 Bi-Pin, 18W Max²
- LED16.8** 16W LED, 1600 LM

I - COLOR TEMPERATURE³

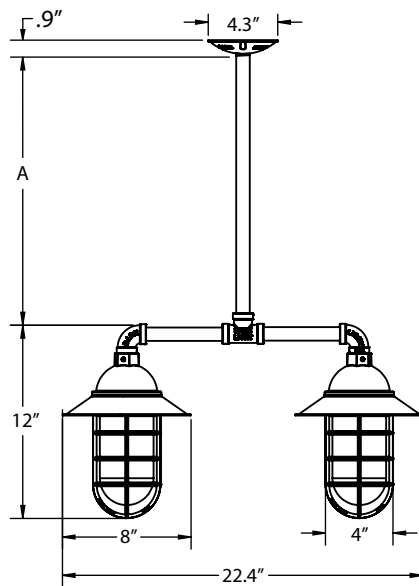
- NA** Not Applicable
- 2700K** 2700K, Warm White
- 3000K** 3000K, Neutral White
- 3500K** 3500K, Bright White
- 4000K** 4000K, Cool White

IMPORTANT: (1) Clear Glass not recommended if LED16.8 Light Source Selected in Section H (2) Fixtures configured with a GU24 socket are non-returnable (3) Selection only applicable if LED16.8 Light Source is selected in Section H, select NA if another Light Source is selected

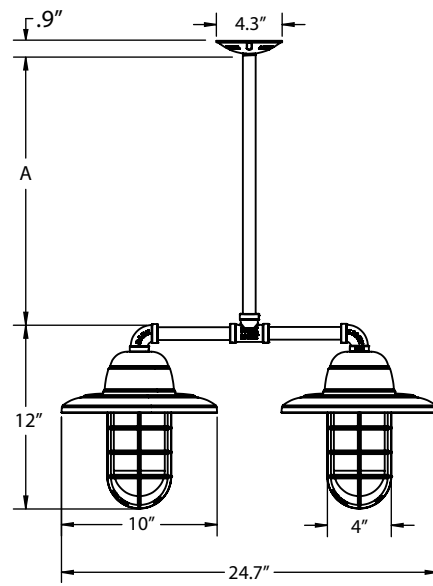
DIMENSIONAL DRAWINGS



SHOWN WITH: NO OPTIONAL SHADE



SHOWN WITH: FLARED SHADE



SHOWN WITH: WAREHOUSE SHADE

STEM LENGTH	HEIGHT (A)
06 (6" Stem)	5.5"
12 (12" Stem)	11.5"
18 (18" Stem)	17.5"
24 (24" Stem)	23.5"
36 (36" Stem)	35.5"
48 (48" Stem)	47.5"

LIGHT SOURCE

All published luminaire photometric testing performed to IESNA LM-79-08 standards by a NVLAP accredited laboratory. Data is considered to be representative of the configurations shown, within the tolerances allowed by Lighting Facts. To obtain an IES file specific to your project, please contact the factory.

OPTION	WATTAGE	LUMENS <small>*Avg. value, actual value dependent on bulb used</small>	CRI	VOLTAGE	DIMMING
INCANDESCENT (MED E26)					
E26	100W Max	1600*	100*	120 VAC	Bulb Dependant
COMPACT FLOURESCENT (GU24 CFL)					
GU24	18W Max	1600*	75*	120 VAC	Bulb Dependant
LED					
LED16.8	16W	1600	>90	120 VAC	TRIAC

SPECIFICATIONS

CONSTRUCTION

STEM
 1/2" Nominal (0.84" Actual) Aluminum Mounting Stem. Custom Lengths Available Upon Request.

FINISH

POWDER COAT FINISHES
 Polyester Powder Coat Finishes are Electro-Statically Applied and Thermocured

LED SPECIFICATIONS

LUMEN MAINTENANCE
 LED16.8 Source is L90(11K) > 61,000 Hours.

COLOR TEMPERATURES
 Standard color temperatures available include 2700K, 3000K, 3500K and 4000K. Custom Temperatures Available upon Request.

CRI
 Minimum 90 CRI, Consult Factory for Other CRI Options

EFFICACY
 Up to 100 LPW Based on Wattage/Lumens in the Table

DRIVER & DIMMING OPTION
 Relient on Triac Dimming 16W / 120V Integrated Driver, down to 1% Dimming. Requires Compatible Dimming Switch.

CERTIFICATIONS, LISTINGS & WARRANTY

MADE IN THE USA
 Manufactured and Hand-Crafted in our 60,000 Square Foot Facility Located in Titusville, FL

CSA LISTED FOR DAMP LOCATIONS

LIMITED WARRANTY
 For Additional Information on our Limited Warranty, Please See Our Terms & Conditions