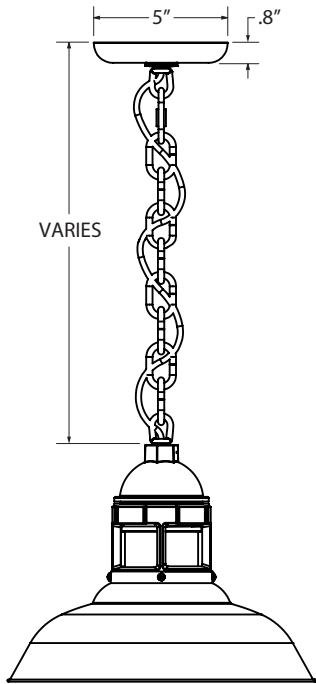
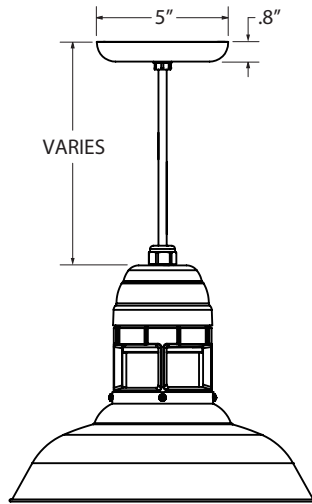


MOUNTING STYLE

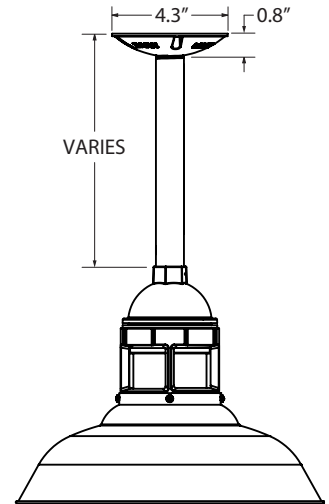
CHAIN HUNG PENDANT (CN)



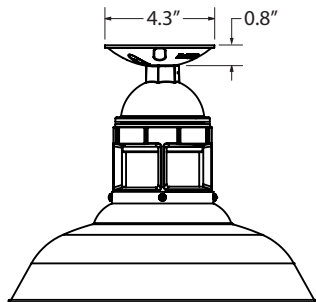
CORD HUNG PENDANT (C)



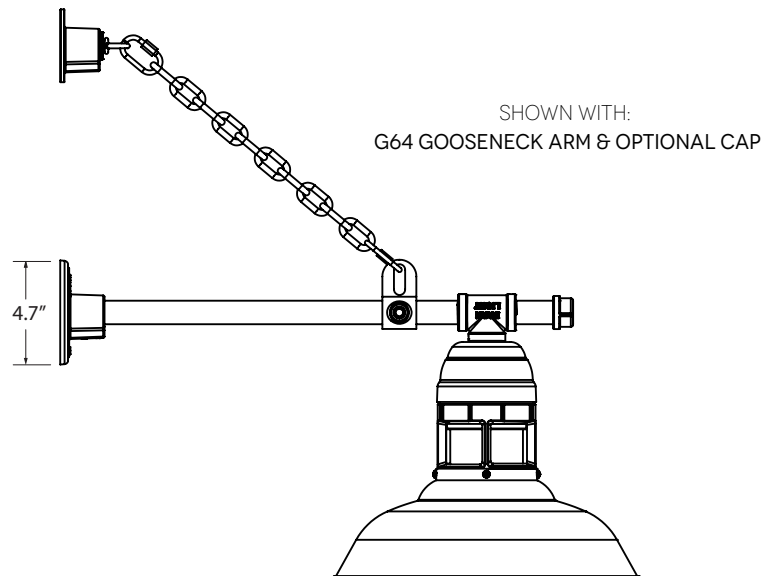
STEM MOUNT PENDANT (S)



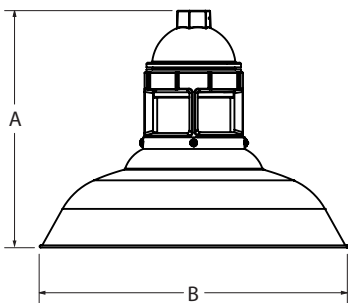
FLUSH MOUNT (F)



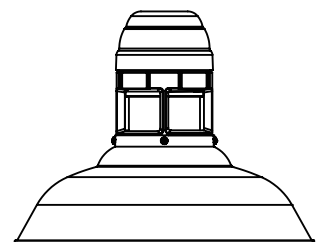
GOOSENECK (G)



LUMINAIRE DIMENSIONS



SHADE CODE	HEIGHT (A)	DIAMETER (B)
ULO12	10.8"	12"
ULO14	10.8"	14"
ULO16	11.3"	16"
ULO18	12.3"	18"
ULO20	12.8"	20"



SHOWN WITH OPTIONAL CAP SECTION - G

SPECIFICATIONS**CERTIFICATIONS, LISTINGS & WARRANTY**

MADE IN THE USA

Manufactured and Hand-Crafted in Our 60,000 Square Foot Facility
Located in Titusville, FL

CSA LISTED FOR WET LOCATIONS

Includes All Gooseneck, Stem and Flush Mounting Styles

CSA LISTED FOR DAMP LOCATIONS

Includes All Chain and Cord Hung Mounting Styles

LIMITED WARRANTY

For Additional Information on Our Limited Warranty, Please See
Our Terms & Conditions

CONSTRUCTION & FINISH

POWDER COAT SHADE

Hand-Spun from High Purity 3003-O Temper Aluminum

POWDER COAT FINISHES

Polyester Powder Coat Finishes Are Electro-Statically Applied and
Thermocured

GALVANIZED SHADE

Hand Spun from High Quality Galvanized Steel

COPPER

Hand-Spun from High Purity C11000-O60 ETP Copper

BRASS

Hand-Spun from High Purity C2600-O60 Brass

STEM

1/2" Nominal (0.84" Actual) or 3/4" Nominal (1.05" Actual) Sch 40,
6063 Aluminum Mounting Stem. Custom Lengths Available upon
Request.

GOOSENECK

1/2" Nominal (0.84" Actual) or 3/4" Nominal (1.05" Actual) Sch 40,
6063 Aluminum Gooseneck

CORD

Cord-Hung Pendants Include 7' of Standard Cord or 5' of Cloth
Cord, +/- For Socket Orientation

CHAIN

4-Gauge Chain Complete with Quick Link for On-Site Adjustments
to Chain's Length

LIGHT SOURCE

INCANDESCENT

Medium Base E26 Socket, 120 VAC, 100W Max

COMPACT FLUORESCENT

Bi-Pin Base GU24 Socket, 120 VAC, 18W Max