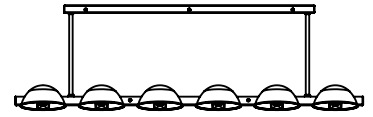




SPS-0431 REV B

PARABOLIC LINEAR 12-LIGHT CHANDELIER

JOB NAME: _____ FIXTURE TYPE: _____



BLE - S - CH031 - _____ - _____ - _____
A B C

Order Example: BLE - S - CH031 - 300 - 24 - 975

A - SHADE FINISH

POWDER COAT FINISHES¹:

- 100 Black
- 105 Textured Black
- 106 Matte Black
- 200 White
- 206 Matte White
- 300 Dark Green
- 307 Emerald Green
- 311 Jadite
- 370 Mint
- 380 Chartreuse
- 390 Teal
- 400 Barn Red
- 420 Orange
- 470 Watermelon
- 480 Blush Pink
- 490 Magenta
- 495 Sherbet Orange
- 500 Buttery Yellow
- 570 Sunflower
- 600 Bronze
- 601 Chocolate
- 605 Rust
- 615 Oil-Rubbed Bronze
- 700 Royal Blue
- 705 Navy
- 710 Cobalt Blue
- 715 Delphite Blue
- 790 Lavender

A - SHADE FINISH (CONTINUED)

POWDER COAT FINISHES¹:

- 800 Industrial Grey
- 805 Charcoal Granite
- 810 Graphite
- 975 Galvanized

NATURAL METALS²:

- 995 Raw Copper
- 996 Weathered Copper
- 997 Raw Brass
- 998 Weathered Brass
- 999 Oil-Rubbed Copper

B - MOUNTING OPTION

- 6 6" Stem
- 12 12" Stem
- 18 18" Stem
- 24 24" Stem
- 36 36" Stem

C - MOUNTING FINISH³

POWDER COAT FINISHES:

- 100 Black
- 105 Textured Black
- 106 Matte Black
- 200 White
- 206 Matte White
- 300 Dark Green

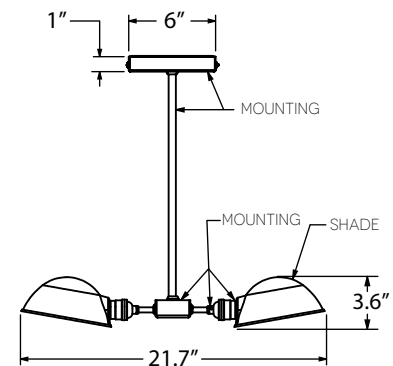
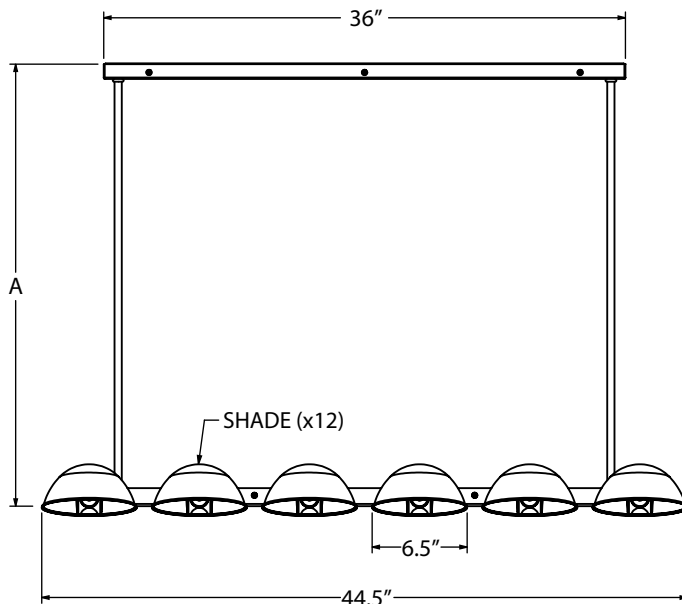
C - MOUNTING FINISH³ (CONTINUED)

POWDER COAT FINISHES:

- 307 Emerald Green
- 311 Jadite
- 370 Mint
- 380 Chartreuse
- 390 Teal
- 400 Barn Red
- 420 Orange
- 470 Watermelon
- 480 Blush Pink
- 490 Magenta
- 495 Sherbet Orange
- 500 Buttery Yellow
- 570 Sunflower
- 600 Bronze
- 601 Chocolate
- 605 Rust
- 615 Oil-Rubbed Bronze
- 700 Royal Blue
- 705 Navy
- 710 Cobalt Blue
- 715 Delphite Blue
- 790 Lavender
- 800 Industrial Grey
- 805 Charcoal Granite
- 810 Graphite
- 975 Galvanized

IMPORTANT: (1) All Powder Coat finished shades, excluding 975-Galvanized, feature a white interior (2) Natural Metals have a longer estimated manufacturing time, please check the website for exact lead time. There are no returns accepted on Natural Metals. (3) Mounting includes all components except for shades. Please see website for additional product photographs.

MOUNTING DIMENSIONS



STEM LENGTH	A
6 (6" Stem)	7.6"
12 (12" Stem)	13.6"
18 (18" Stem)	19.6"
24 (24" Stem)	25.6"
36 (36" Stem)	37.6"

SPECIFICATIONS

CERTIFICATIONS, LISTINGS & WARRANTY

MADE IN THE USA
Manufactured and Hand-Crafted in Our 60,000 Square Foot Facility
Located in Titusville, FL

UL LISTED FOR DAMP LOCATIONS

LIMITED WARRANTY
For Additional Information on Our Limited Warranty, Please See
Our Terms & Conditions

LIGHT SOURCE

E26 MEDIUM BASE SOCKETS
12 Sockets Total, 50W Max per Socket, 600W Max Fixture Wattage

CONSTRUCTION & FINISH

RECTANGULAR CANOPY
Constructed from 19 Gauge Galvanized Steel

MOUNTING STEMS
1/4" Schedule 40 Aluminum Pipe (0.540" Actual OD)
Custom Lengths Available Upon Request.

SHADE
Stamped from Aluminum or Natural Metals

POWDER COAT FINISHES
Polyester Powder Coat Finishes are Electro-Statically Applied and
Thermocured

MAX FIXTURE WEIGHT
20 lbs