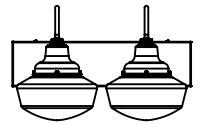




SPS-0071 REV B

# PRIMARY 2-LIGHT SCHOOLHOUSE VANITY LIGHT

JOB NAME: \_\_\_\_\_ FIXTURE TYPE: \_\_\_\_\_



BLE - WVS2 - \_\_\_\_\_ - \_\_\_\_\_ - \_\_\_\_\_ - \_\_\_\_\_ - \_\_\_\_\_  
A B C D E

Order Example: BLE - WVS2 - SCHCL10 - 24VAN - 600 - PB3 - 600 - E26

### A - GLASS STYLE

- SCH10** Opaque Glass
- SCHCL10** Clear Glass

### B - MOUNTING & FITTER FINISH

#### POWDER COAT FINISHES:

- 100** Black
- 105** Textured Black
- 200** White
- 300** Dark Green
- 307** Emerald Green
- 311** Jadite
- 370** Mint
- 380** Chartreuse
- 390** Teal
- 400** Barn Red
- 420** Orange
- 470** Watermelon
- 480** Blush Pink
- 490** Magenta
- 495** Sherbet Orange
- 500** Buttery Yellow
- 570** Sunflower
- 600** Bronze
- 601** Chocolate
- 605** Rust
- 615** Oil-Rubbed Bronze
- 700** Royal Blue
- 705** Navy
- 710** Cobalt Blue
- 715** Delphite Blue
- 790** Lavender
- 800** Industrial Grey
- 805** Charcoal Granite
- 810** Graphite
- 975** Galvanized

### C - PAINTED BAND

- NA** No Painted Band
- PB1** Single Painted Band
- PB2** Double Painted Band
- PB3** Triple Painted Band

### D - PAINTED BAND FINISH

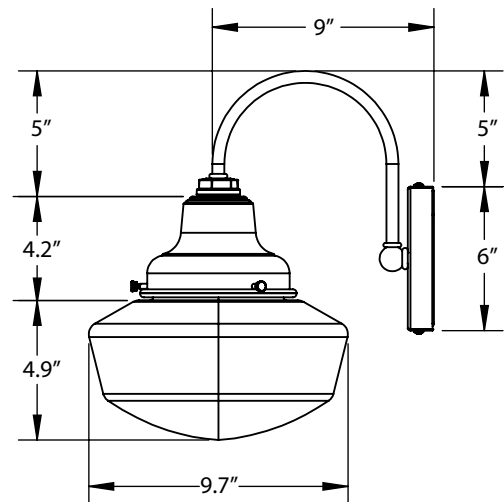
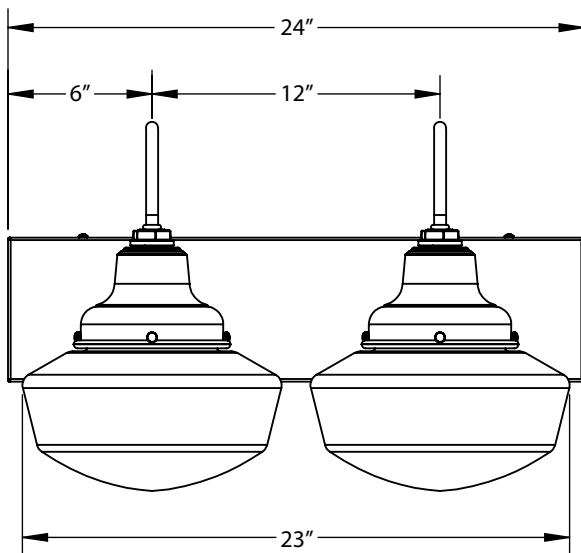
- NA** Not Applicable
- 100** Black
- 200** White<sup>1</sup>
- 307** Emerald Green
- 311** Jadite
- 390** Teal
- 400** Barn Red
- 490** Magenta
- 500** Buttery Yellow
- 600** Bronze
- 700** Royal Blue
- 705** Navy
- 715** Delphite Blue

### E - SOCKET TYPE

- E26** 100 Watt Max
- GU24** 18 Watt Max<sup>2</sup>

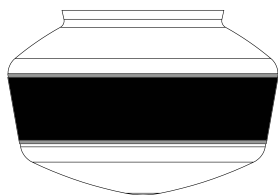
**IMPORTANT:** (1) White Painted Band not recommended if Opaque Glass is selected in Section A, as it blends into opaque glass (2) Fixtures configured with a GU24 socket are non-returnable

### DIMENSIONAL DRAWING

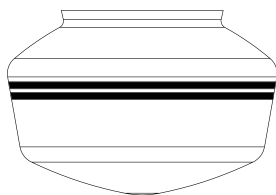


SIDE VIEW

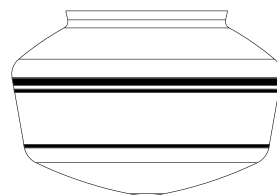
**PAINTED BANDS**



**PB1** SINGLE PAINTED BAND



**PB2** DOUBLE PAINTED BAND



**PB3** TRIPLE PAINTED BAND

**SPECIFICATIONS**

**DESIGN**

VANITY PLATE

Constructed from 19 Gauge Galvanized Steel

FITTER ARMS

(2) 1/4" Nominal (0.50" Actual) Aluminum Mounting Arms

POWDER COAT FINISHES

Polyester Powder Coat Finishes are Electro-Statically Applied and Thermocured

**LIGHT SOURCE**

INCANDESCENT

(2) E26 Medium Base Sockets, 100W Max Each, 120 VAC

COMPACT FLUORESCENT

(2) Bi-Pin Base GU24 Sockets, 18W Max Each, 120 VAC

**CERTIFICATIONS, LISTINGS & WARRANTY**

MADE IN THE USA

Manufactured and Hand-Crafted in Our 60,000 Square Foot Facility Located in Titusville, FL

CSA LISTED FOR DAMP LOCATIONS

LIMITED WARRANTY

For Additional Information on Our Limited Warranty, Please See Our Terms & Conditions