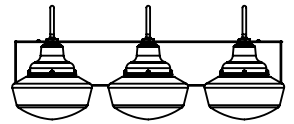




SPS-0324 REV B

PRIMARY 3-LIGHT SCHOOLHOUSE VANITY LIGHT

JOB NAME: _____ FIXTURE TYPE: _____

BLE - WVS3 - _____ - _____ - _____ - _____ - _____
A B C D E

Order Example: BLE - WVS3 - SCHCL10 - 307 - PB2 - 100 - GU24

A - GLASS STYLE**SCH10** Opaque Glass
SCHCL10 Clear Glass**B - MOUNTING & FITTER FINISH****POWDER COAT FINISHES:**

100 Black
105 Textured Black
200 White
300 Dark Green
307 Emerald Green
311 Jadite
370 Mint
380 Chartreuse
390 Teal
400 Barn Red
420 Orange
470 Watermelon
480 Blush Pink
490 Magenta
495 Sherbet Orange
500 Buttery Yellow
570 Sunflower
600 Bronze
601 Chocolate
605 Rust
615 Oil-Rubbed Bronze
700 Royal Blue
705 Navy
710 Cobalt Blue
715 Delphite Blue
790 Lavender
800 Industrial Grey
805 Charcoal Granite
810 Graphite
975 Galvanized

C - PAINTED BAND

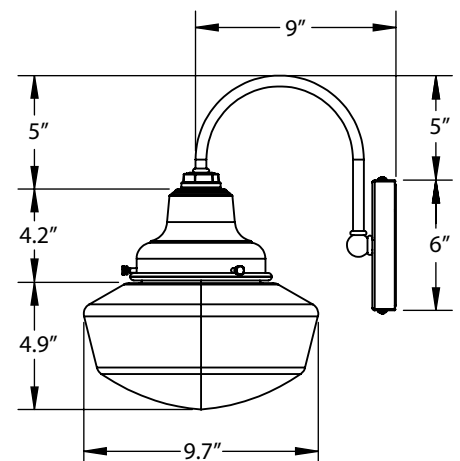
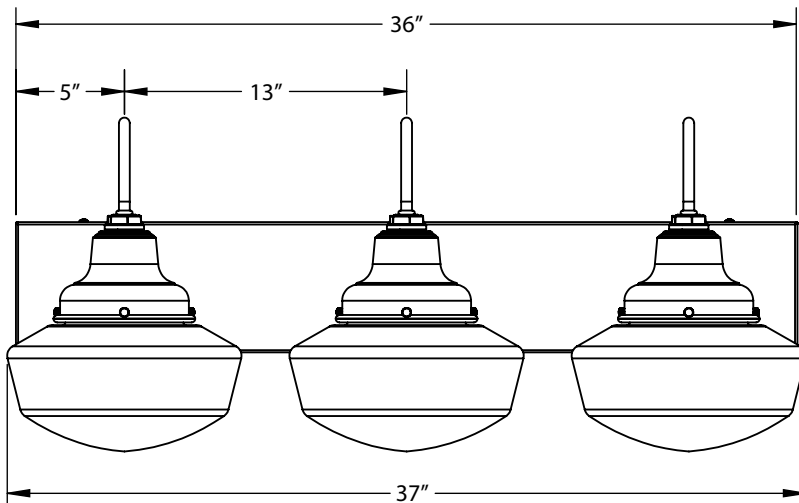
NA No Painted Band
PB1 Single Painted Band
PB2 Double Painted Band
PB3 Triple Painted Band

D - PAINTED BAND FINISH

NA Not Applicable
100 Black
200 White¹
307 Emerald Green
311 Jadite
390 Teal
400 Barn Red
490 Magenta
500 Buttery Yellow
600 Bronze
700 Royal Blue
705 Navy
715 Delphite Blue

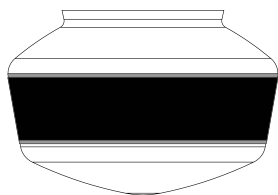
E - SOCKET TYPE

E26 100 Watt Max
GU24 18 Watt Max²

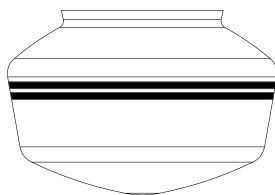
IMPORTANT: (1) White Painted Band not recommended if Opaque Glass is selected in Section A, as it blends into opaque glass (2) Fixtures configured with a GU24 socket are non-returnable**DIMENSIONAL DRAWING**

SIDE VIEW

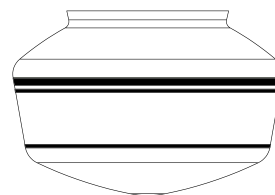
PAINTED BANDS



PB1 SINGLE PAINTED BAND



PB2 DOUBLE PAINTED BAND



PB3 TRIPLE PAINTED BAND

SPECIFICATIONS

DESIGN

VANITY PLATE

Constructed from 19 Gauge Galvanized Steel

FITTER ARMS

(3) 1/4" Nominal (0.50" Actual) Aluminum Mounting Arms

POWDER COAT FINISHES

Polyester Powder Coat Finishes are Electro-Statically Applied and Thermocured

LIGHT SOURCE

INCANDESCENT

(3) E26 Medium Base Sockets, 100W Max Each, 120 VAC

COMPACT FLUORESCENT

(3) Bi-Pin Base GU24 Sockets, 18W Max Each, 120 VAC

CERTIFICATIONS, LISTINGS & WARRANTY

MADE IN THE USA

Manufactured and Hand-Crafted in Our 60,000 Square Foot Facility Located in Titusville, FL

CSA LISTED FOR DAMP LOCATIONS

LIMITED WARRANTY

For Additional Information on Our Limited Warranty, Please See Our Terms & Conditions