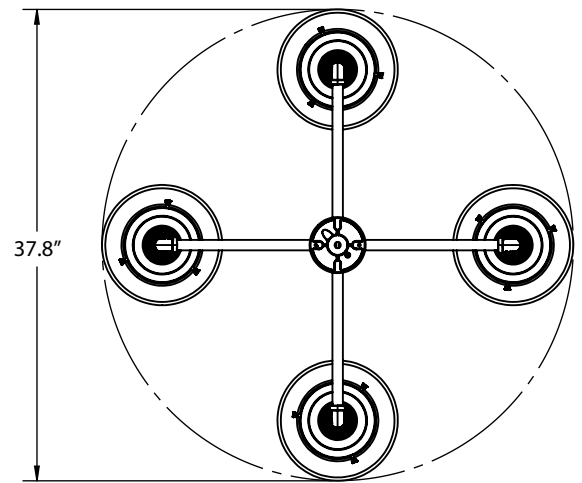
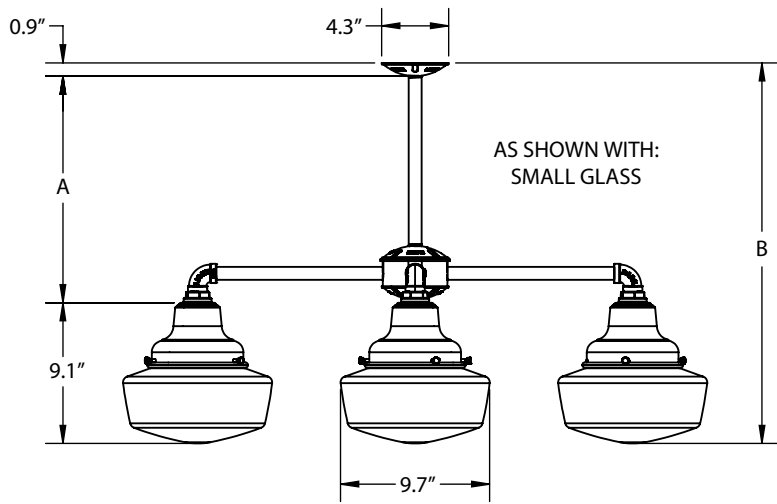
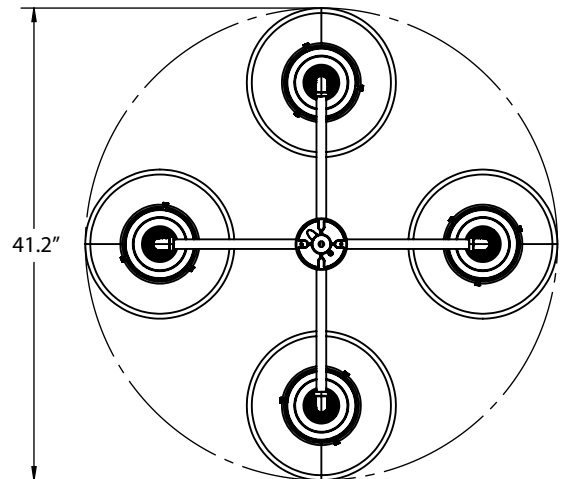
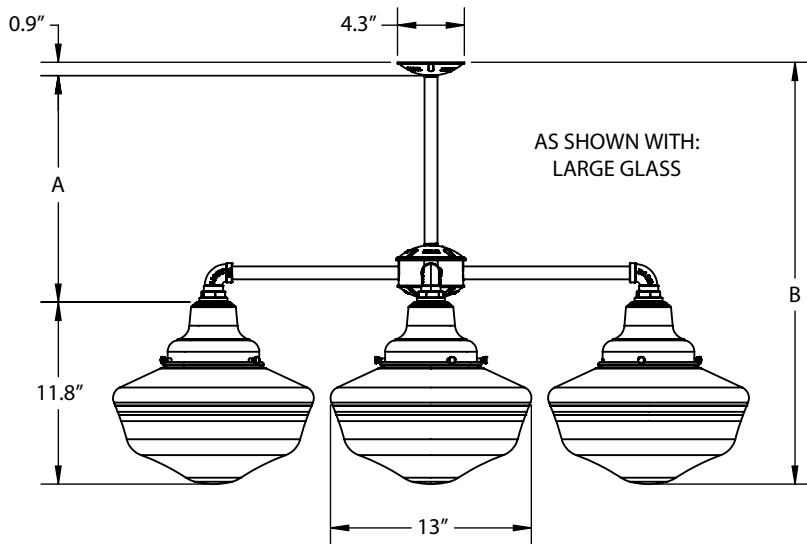


DIMENSIONAL DRAWING



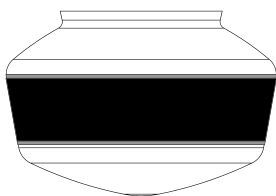
TOP VIEW



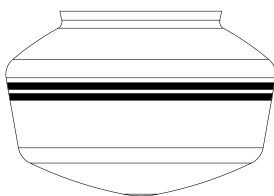
TOP VIEW

		SMALL GLASS	LARGE GLASS
STEM LENGTH	HEIGHT (A)	TOTAL HEIGHT (B)	TOTAL HEIGHT (B)
3 (3" Stem)	5.7"	15.7"	18.4"
6 (6" Stem)	8.7"	18.7"	21.4"
12 (12" Stem)	14.7"	24.7"	27.4"
18 (18" Stem)	20.7"	30.7"	33.4"
24 (24" Stem)	26.7"	36.7"	39.4"
36 (36" Stem)	38.7"	48.7"	51.4"
48 (48" Stem)	50.7"	60.7"	63.4"

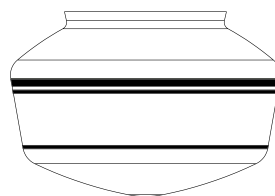
PAINTED BAND OPTIONS



PB1 SINGLE PAINTED BAND



PB2 DOUBLE PAINTED BAND



PB3 TRIPLE PAINTED BAND

SPECIFICATIONS

CONSTRUCTION

STEM
 1/2" Nominal (0.84" Actual) Aluminum Mounting Stem. Custom Lengths Available upon Request.

FINISH

POWDER COAT FINISHES
 Polyester Powder Coat Finishes are Electro-Statically Applied and Thermocured

LIGHT SOURCE

INCANDESCENT
 (4) E26 Medium Base Sockets, 100W Max Each, 120 VAC
 COMPACT FLUORESCENT
 (4) Bi-Pin Base GU24 Sockets, 18W Max Each, 120 VAC

CERTIFICATIONS, LISTINGS & WARRANTY

MADE IN THE USA
 Manufactured and Hand-Crafted in our 60,000 Square Foot Facility Located in Titusville, FL
 CSA LISTED FOR DAMP LOCATIONS
 LIMITED WARRANTY
 For Additional Information on our Limited Warranty, Please See Our Terms & Conditions