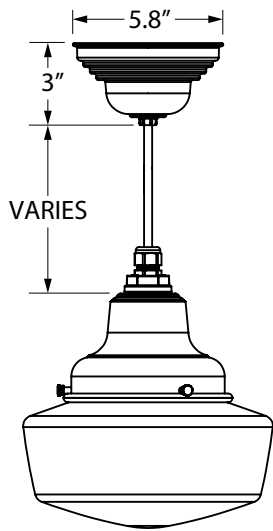


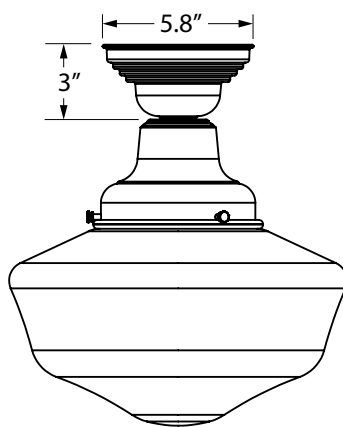
MOUNTING STYLE

CORD HUNG PENDANT (C)



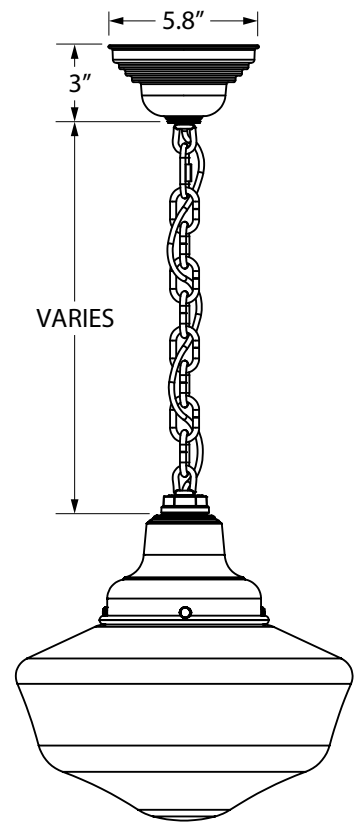
SHOWN WITH: SMALL 10" GLASS

SEMI-FLUSH MOUNT (FSF)



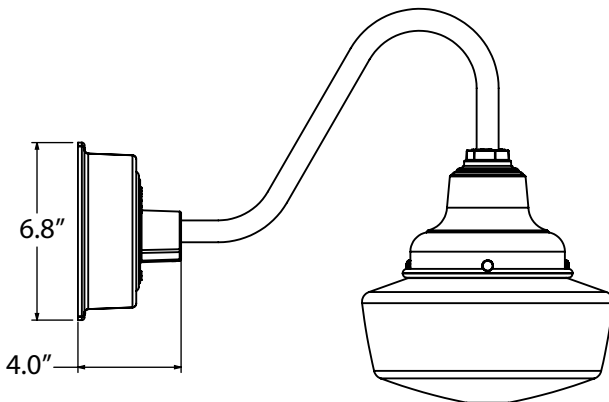
SHOWN WITH: LARGE 14" GLASS

CHAIN HUNG PENDANT (CN)



SHOWN WITH: LARGE 14" GLASS

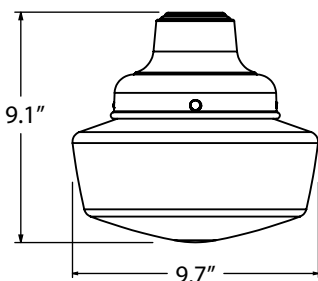
GOOSENECK (G)



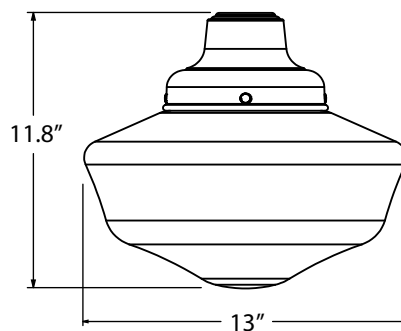
SHOWN WITH: G26 GOOSENECK ARM
SMALL 10" GLASS

LUMINAIRE DIMENSIONS

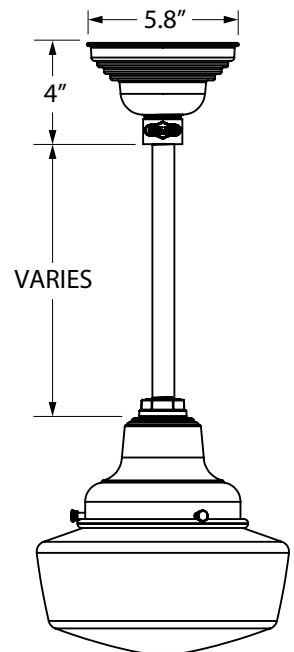
**SMALL 10" GLASS
(SCHCL10 & SCH10)**



**LARGE 14" GLASS
(SCHCL14 & SCH14)**

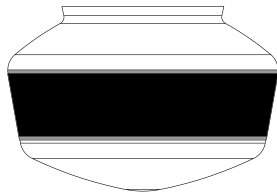


STEM MOUNT PENDANT (S)

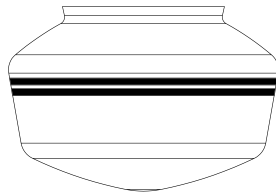


SHOWN WITH: SMALL 10" GLASS

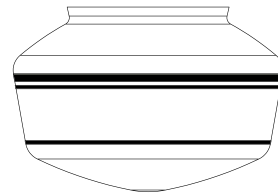
PAINTED BANDS



PB1 SINGLE PAINTED BAND



PB2 DOUBLE PAINTED BAND



PB3 TRIPLE PAINTED BAND

SPECIFICATIONS

MOUNTING

STEM

1/2" Nominal (0.84" Actual) or 3/4" Nominal (1.05" Actual) Sch 40, 6063 Aluminum Mounting Stem. Custom Lengths Available upon Request.

GOOSENECK

1/2" Nominal (0.84" Actual) or 3/4" Nominal (1.05" Actual) Sch 40, 6063 Aluminum Gooseneck

CORD

Cord-Hung Pendants Include 7' of Standard Cord or 5' of Cotton or Cloth Cord, +/- For Socket Orientation

CHAIN

4-Gauge Chain Complete with Quick Link for On-Site Adjustments to Chain's Length

MAX FIXTURE WEIGHT
10 lbs

FIXTURE & FINISHES

SCHOOLHOUSE FITTER

Hand-Spun from High Purity 0.050" Thick 3003-O Temper Aluminum

POWDER COAT FINISHES

Polyester Powder Coat Finishes Are Electro-Statically Applied and Thermocured

COPPER

Hand-Spun from High Purity .032 Thick C11000-O60 ETP Copper

BRASS

Hand-Spun from High Purity .050" Thick C2600-O60 Brass

CERTIFICATIONS, LISTINGS & WARRANTY

MADE IN THE USA

Manufactured and Hand-Crafted in Our 60,000 Square Foot Facility Located in Titusville, FL

CSA LISTED FOR DAMP LOCATIONS

Includes All Chain, Semi-Flush Mount, Gooseneck and Stem Mount Styles and Select Cord Hung Mounting Styles

LIMITED WARRANTY

For Additional Information on Our Limited Warranty, Please See Our Terms & Conditions

LED SPECIFICATIONS

LUMEN MAINTENANCE

L70(7K) > 50,000 Hours

COLOR TEMPERATURES

Standard Color Temperatures Available Include 2700K, 3000K, 3500K and 4000K. Custom Temperatures Available upon Request.

CRI

Minimum 90 CRI. Consult Factory for Other CRI Options

EFFICACY

Up to 78 Lumens per Watt

DRIVER & DIMMING OPTION

850 and 1250 Lumen, Reliant on Triac Dimming Only Driver Mounted in Canopy. Dimmable down to 5% Depending on Dimmer. Requires Compatible Dimming Switch.