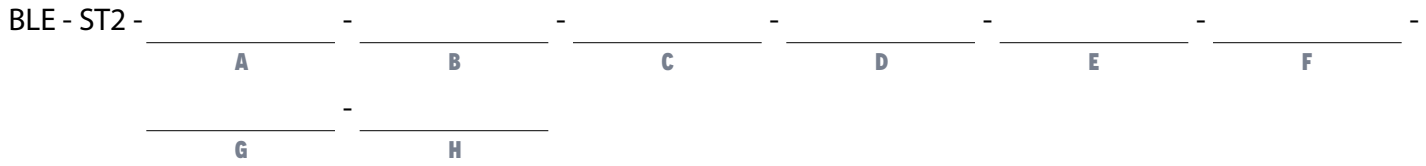
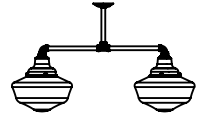




SPS-0174 REV C

PRIMARY SCHOOLHOUSE 2-LIGHT CHANDELIER

JOB NAME: _____ FIXTURE TYPE: _____



Order Example: BLE - ST2 - SCH10 - 700 - 12 - ST736 - SCDBCC - PB2 - 100 - E26

A - GLASS STYLE & SIZE

SCHCL10	Small, Clear Glass
SCHCL14	Large, Clear Glass
SCH10	Small, Opaque Glass
SCH14	Large, Opaque Glass

B - FITTER, CANOPY & STEM FINISH*POWDER COAT FINISHES:*

100	Black
105	Textured Black
106	Matte Black
200	White
206	Matte White
300	Dark Green
307	Emerald Green
311	Jadite
370	Mint
380	Chartreuse
390	Teal
400	Barn Red
420	Orange
470	Watermelon
480	Blush Pink
490	Magenta
495	Sherbet Orange
500	Buttery Yellow
570	Sunflower
600	Bronze
601	Chocolate
605	Rust
615	Oil-Rubbed Bronze
700	Royal Blue
705	Navy
710	Cobalt Blue
715	Delphite Blue
790	Lavender
800	Industrial Grey
805	Charcoal Granite
810	Graphite
975	Galvanized

NATURAL METALS^{1,2,3}:

995	Raw Copper
996	Weathered Copper
997	Raw Brass
998	Weathered Brass
999	Oil-Rubbed Copper

C - ARM LENGTH

12	2 - 12" Mounting Arms
18	2 - 18" Mounting Arms

D - STEM LENGTH

ST703	.75" Stem Mount, 3" ⁴
ST706	.75" Stem Mount, 6" ⁴
ST712	.75" Stem Mount, 12"
ST718	.75" Stem Mount, 18"
ST724	.75" Stem Mount, 24"
ST736	.75" Stem Mount, 36"
ST748	.75" Stem Mount, 48"

E - CANOPY

SC	Standard Canopy ⁵
SCDBCC	Standard Canopy and Decorative Beehive Canopy Cover ^{6,7}
HSC	Hang Straight Canopy ⁵
HDSMC	Heavy Duty Stem Mount Canopy ⁵

F - PAINTED BAND

NA	No Painted Band
PB1	Single Painted Band
PB2	Double Painted Band
PB3	Triple Painted Band

G - PAINTED BAND FINISH

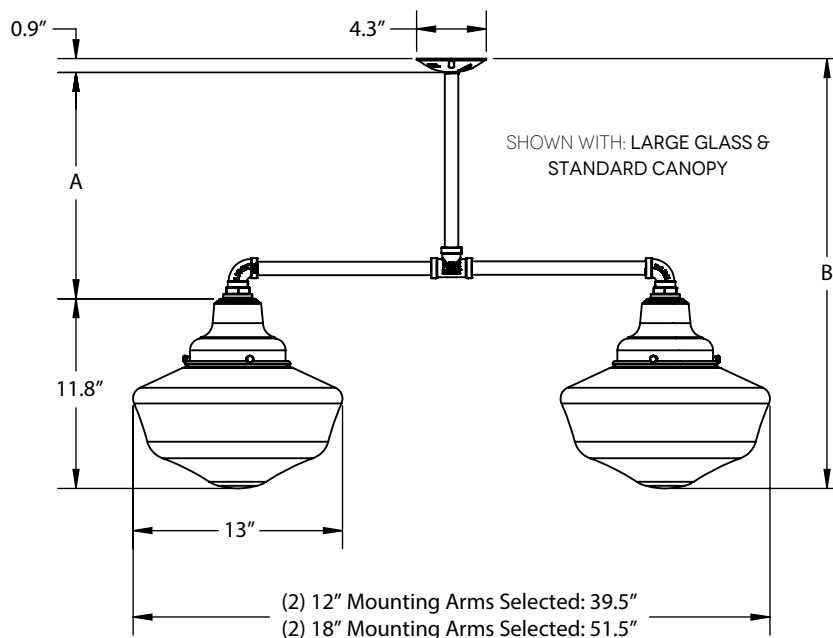
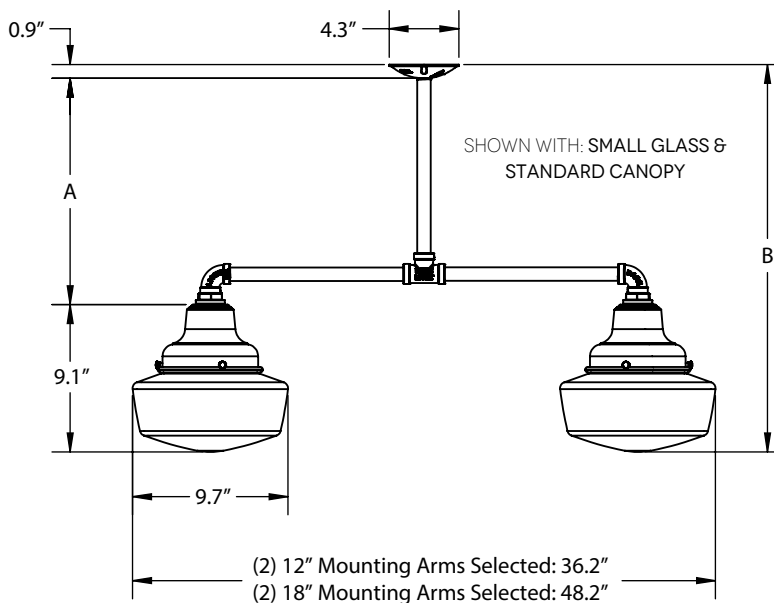
NA	Not Applicable
100	Black
200	White ⁸
307	Emerald Green
311	Jadite
390	Teal
400	Barn Red
490	Magenta
500	Buttery Yellow
600	Bronze
700	Royal Blue
715	Delphite Blue

H - LIGHT SOURCE

E26	100 Watt Max
GU24	18 Watt Max ⁹

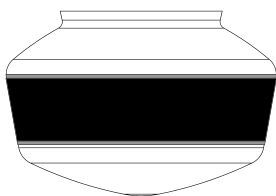
IMPORTANT: (1) Natural Metals have a longer estimated lead-time, please refer to the website (2) There are no returns accepted on Natural Metals (3) If a Natural Metal finish is selected, fittings will be 980-Raw Aluminum, refer to website for visuals (4) Not applicable if SCDBCC is selected in Section E (5) Not available in Natural Metal Finishes (6) Standard Canopy and Decorative Beehive Canopy Cover (SCDBCC) required if a Natural Metal is selected in Section B (7) Not applicable if a 3" or 6" Stem is selected in Section D (8) White Painted Band not recommended if Opaque Glass is selected in Section A, as it blends into glass (9) Fixtures configured with GU24 socket are non-returnable

MOUNTING DIMENSIONS

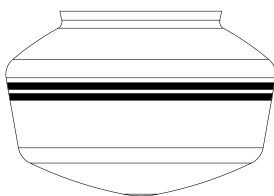


STEM LENGTH	HEIGHT (A)	SMALL GLASS	LARGE GLASS
		TOTAL HEIGHT (B)	TOTAL HEIGHT (B)
3 (3" Stem)	5.1"	15.1"	17.8"
6 (6" Stem)	8.1"	18.1"	20.8"
12 (12" Stem)	14.1"	24.1"	26.8"
18 (18" Stem)	20.1"	30.1"	32.8"
24 (24" Stem)	26.1"	36.1"	38.8"
36 (36" Stem)	38.1"	48.1"	50.8"
48 (48" Stem)	50.1"	60.1"	62.8"

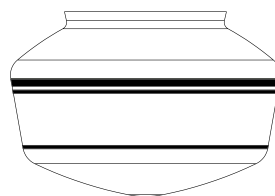
PAINTED BANDS



PB1 SINGLE PAINTED BAND



PB2 DOUBLE PAINTED BAND



PB3 TRIPLE PAINTED BAND

SPECIFICATIONS

CERTIFICATIONS, LISTINGS & WARRANTY

MADE IN THE USA
Manufactured and Hand-Crafted in our 60,000 Square Foot Facility
Located in Titusville, FL

CSA LISTED FOR DAMP LOCATIONS

LIMITED WARRANTY
For Additional Information on our Limited Warranty, Please See
Our Terms & Conditions

LIGHT SOURCE

INCANDESCENT
(2) E26 Medium Base Sockets, 120 VAC, 100W Max Each

COMPACT FLUORESCENT
(2) Bi-Pin Base GU24 Sockets, 120 VAC, 18W Max Each

CONSTRUCTION & FINISH

SCHOOLHOUSE FITTER
Hand-Spun from High Purity 3003-O Temper Aluminum

POWDER COAT FINISHES
Polyester Powder Coat Finishes are Electro-Statically Applied and
Thermocured

COPPER
Hand-Spun from High Purity C11000-O60 ETP Copper

BRASS
Hand-Spun from High Purity C2600-O60 Brass

STEM
3/4" Nominal (1.05" Actual) Sch 40, 6063 Aluminum Mounting
Stem. Custom Lengths Available upon Request.