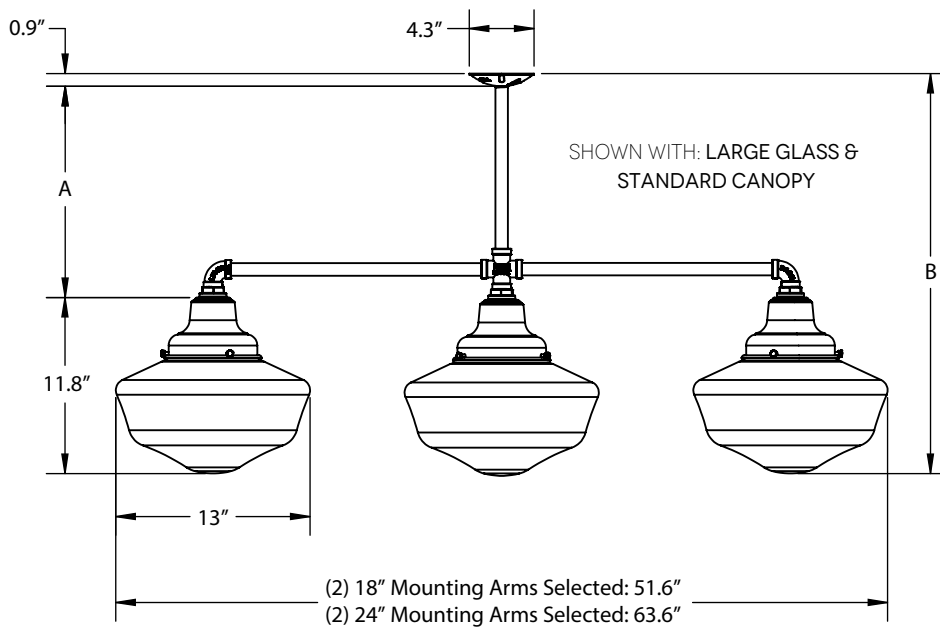
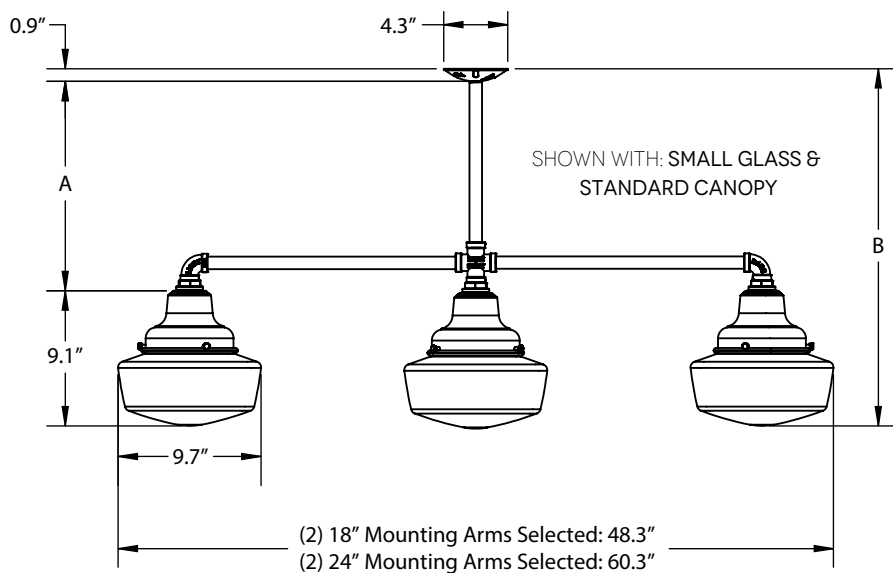


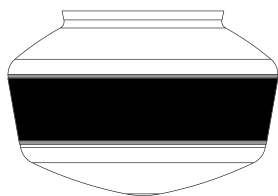


**MOUNTING DIMENSIONS**

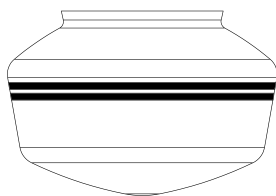


STEM LENGTH	HEIGHT (A)	SMALL GLASS	LARGE GLASS
		TOTAL HEIGHT (B)	TOTAL HEIGHT (B)
3 (3" Stem)	5.1"	15.1"	17.8"
6 (6" Stem)	8.1"	18.1"	20.8"
12 (12" Stem)	14.1"	24.1"	26.8"
18 (18" Stem)	20.1"	30.1"	32.8"
24 (24" Stem)	26.1"	36.1"	38.8"
36 (36" Stem)	38.1"	48.1"	50.8"
48 (48" Stem)	50.1"	60.1"	62.8"

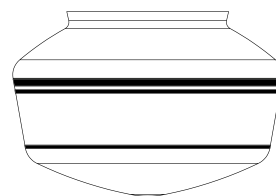
**PAINTED BAND OPTIONS**



**PB1** SINGLE PAINTED BAND



**PB2** DOUBLE PAINTED BAND



**PB3** TRIPLE PAINTED BAND

**SPECIFICATIONS**

**CERTIFICATIONS, LISTINGS & WARRANTY**

MADE IN THE USA  
Manufactured and Hand-Crafted in our 60,000 Square Foot Facility  
Located in Titusville, FL

CSA LISTED FOR DAMP LOCATIONS

LIMITED WARRANTY  
For Additional Information on our Limited Warranty, Please See  
Our Terms & Conditions

**LIGHT SOURCE**

INCANDESCENT  
(3) E26 Medium Base Sockets, 120 VAC, 100W Max Each

COMPACT FLUORESCENT  
(3) Bi-Pin Base GU24 Sockets, 120 VAC, 18W Max Each

**CONSTRUCTION & FINISH**

SCHOOLHOUSE FITTER  
Hand-Spun from High Purity 3003-O Temper Aluminum

POWDER COAT FINISHES  
Polyester Powder Coat Finishes are Electro-Statically Applied and  
Thermocured

COPPER  
Hand-Spun from High Purity C11000-O60 ETP Copper

BRASS  
Hand-Spun from High Purity C2600-O60 Brass

STEM  
3/4" Nominal (1.05" Actual) Sch 40, 6063 Aluminum Mounting  
Stem. Custom Lengths Available upon Request.