



REV 09.05.18
**THE RAW BRASS MULTI-LIGHT
 CHANDELIER**
 BARN LIGHT CHANDELIER COLLECTION
 Max Weight: 10.0 lbs

PROJECT NAME _____
 PROJECT TYPE _____

SPS-0209

BLE - C - _____
 _____ **A** _____ **B** _____ **C** _____

Order Example: BLE - C - SCP05 - 100 - CSGW

A - LIGHT OPTION

- SCP05** 3-Light Chandelier
- LCPO5** 5-Light Chandelier

B - CANOPY FINISH

POWDER COAT FINISHES:

- 100** Black
- 105** Textured Black
- 200** White
- 300** Dark Green
- 307** Emerald Green
- 311** Jadite
- 370** Mint
- 380** Chartreuse
- 390** Teal
- 400** Barn Red
- 420** Orange
- 470** Watermelon
- 480** Blush Pink
- 490** Magenta
- 500** Buttery Yellow
- 570** Sunflower
- 600** Bronze
- 601** Chocolate
- 605** Rust
- 615** Oil-Rubbed Bronze
- 700** Royal Blue
- 705** Navy
- 710** Cobalt Blue
- 715** Delphite Blue
- 800** Industrial Grey
- 805** Charcoal Granite
- 810** Graphite
- 975** Galvanized

C - CORDS

CSA LISTED CORD OPTIONS:

- SBK** Standard Black
- SWH** Standard White
- CSB** Black Cloth
- CSW** White Cloth
- CSR** Red Cloth
- CSBW** Black & White Cloth
- CSRW** Red & White Cloth
- CSBG** Black & Gold Cloth
- CSBP** Black & Pink Cloth
- CSGW** Gold & White Cloth
- CSUW** Blue & White Cloth
- CSBB** Black & Brown Cloth

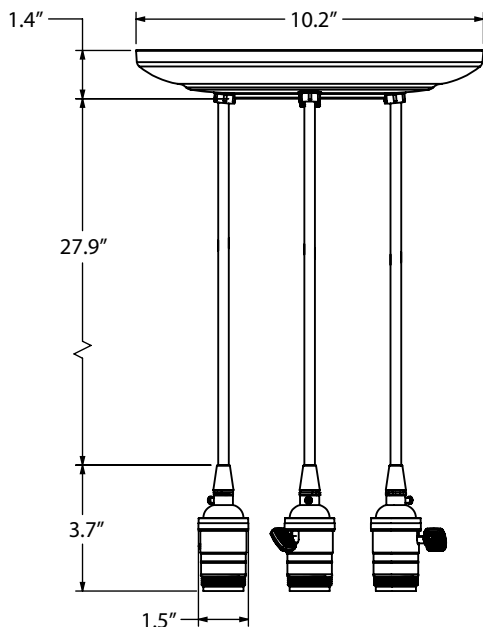
NON-CSA LISTED CORD OPTIONS:

- CBK** Black Cotton
- CRZ** Red Chevron
- CMG** Grey Cotton
- TBW** Black & White Twist
- TBK** Black Cotton Twist
- TWH** White Cotton Twist
- TRW** Red & White Twist
- TBR** Brown Cotton Twist
- TBB** Brown & Beige Twist
- TRD** Red Cotton Twist
- TPT** Putty Cotton Twist

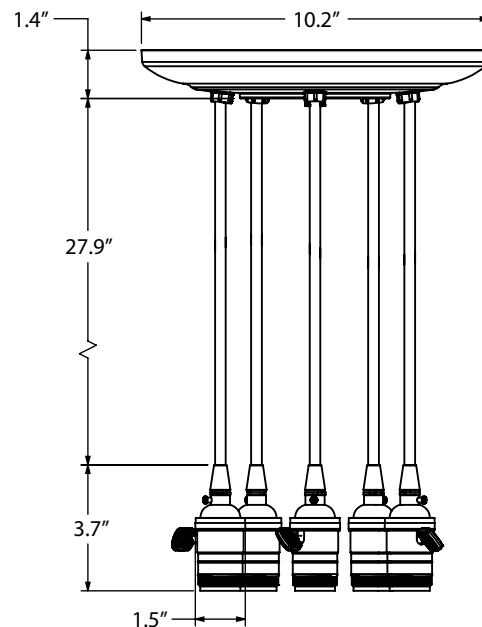
IMPORTANT:

DIMENSIONAL DRAWING

3-LIGHT CHANDELIER (SCP05)



5-LIGHT CHANDELIER (LCP05)



LIGHT SOURCE

All published luminaire photometric testing performed to IESNA LM-79-08 standards by a NVLAP accredited laboratory. Data is considered to be representative of the configurations shown, within the tolerances allowed by Lighting Facts. To obtain an IES file specific to your project, please contact the factory.

OPTION	WATTAGE	CRI	VOLTAGE	DIMMING
INCANDESCENT (MED E26)				
E26	60W Max	100	120 VAC	Bulb Dependent

SPECIFICATIONS

DESIGN

CANOPY
Hand-Spun, High Purity 0.050" Thick 3003-O Temper Aluminum Canopy

FINISHES

POWDER COAT FINISHES
Polyester Powder Coat Finishes Are Electro-Statically Applied and Thermocured on the Canopy

CERTIFICATIONS, LISTINGS & WARRANTY

MADE IN THE USA
Manufactured and Hand-Crafted in Our 60,000 Square Foot Facility Located in Titusville, FL

CSA LISTED FOR DRY LOCATIONS

LIMITED WARRANTY
For Additional Information on Our Limited Warranty, Please See Our Terms & Conditions