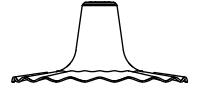




SPS-0156 REV C

SEASIDE SERIES

JOB NAME: _____ FIXTURE TYPE: _____



BLE - _____ - _____ - _____ - _____ - _____ - _____ - _____ - _____

A B C D E F G

_____ - _____ - _____ - _____

H I J K

Order Example: BLE - CN - RWS14 - 765 - CN36 - 200 - SWH - CGG - 200 - FST - NA - E26

A - MOUNTING STYLE

C	Cord Hung
CN	Chain Hung
F	Flush Mount
G	Gooseneck
S	Stem Mount

B - SHADE SIZE**SEASIDE:**

RWS12	12" Shade
RWS14	14" Shade
RWS16	16" Shade ¹

C - SHADE FINISH**PORCELAIN FINISHES²:**

150	Black
250	White
350	Vintage Green
355	Jadite
455	Cherry Red
550	Yellow
650	Bronze
750	Cobalt Blue
765	Delphite Blue
850	Graphite
950	Metallic Chrome

POWDER COAT FINISHES³:

100	Black
105	Textured Black
106	Matte Black
200	White
206	Matte White
300	Dark Green
307	Emerald Green
370	Mint
380	Chartreuse
390	Teal
400	Barn Red
420	Orange
470	Watermelon
480	Blush Pink
490	Magenta
495	Sherbet Orange
500	Buttery Yellow
570	Sunflower
600	Bronze
601	Chocolate
605	Rust
615	Oil-Rubbed Bronze
700	Royal Blue

C - SHADE FINISH (CONTINUED)**POWDER COAT FINISHES³:**

705	Navy
790	Lavender
800	Industrial Grey
805	Charcoal Granite
975	Galvanized

NATURAL METALS⁴:

995	Raw Copper
996	Weathered Copper
997	Raw Brass
998	Weathered Brass
999	Oil-Rubbed Copper

D - MOUNTING

Please Note: If Flush Mount [F] is selected in **Section A**, please select **NA**

NA	Not Applicable
-----------	----------------

CSA LISTED CORD OPTIONS:

SBK	Standard Black
SWH	Standard White
CMG	Grey Cotton
CRZ	Red Chevron
CSB	Black Cloth
CSW	White Cloth
CSR	Red Cloth
CSBB	Black & Brown Cloth
CSRW	Red & White Cloth
CSGW	Gold & White Cloth
CSBG	Black & Gold Cloth
CSBW	Black & White Cloth
CSBP	Black & Pink Cloth
CSUW	Blue & White Cloth

NON-CSA LISTED CORD OPTIONS⁵:

TBK	Black Cotton Twist
TWH	White Cotton Twist
TBR	Brown Cotton Twist
TRD	Red Cotton Twist
TPT	Putty Cotton Twist
TBW	Black & White Twist
TRW	Red & White Twist
TBB	Brown & Beige Twist

D - MOUNTING (CONTINUED)**CHAIN MOUNT OPTIONS⁶:**

CN36	3' of Chain
CN48	4' of Chain
CN60	5' of Chain
CN72	6' of Chain

GOOSENECK OPTIONS:

G1⁶	G11⁶	G25
G2⁶	G12⁶	G26⁶
G3^{6,7}	G13	G32
G4⁷	G14	G34⁶
G5⁶	G15	G35⁶
G6	G16⁶	G36⁶
G7	G17	G40⁶
G8	G19⁶	G64⁶
G9	G22	G65⁶
G10	G24	

STEM MOUNT OPTIONS:

ST506	.5" Stem Mount, 6" ⁶
ST512	.5" Stem Mount, 12" ⁶
ST518	.5" Stem Mount, 18" ⁶
ST524	.5" Stem Mount, 24" ⁶
ST536	.5" Stem Mount, 36" ⁶
ST548	.5" Stem Mount, 48" ⁶
ST706	.75" Stem Mount, 6"
ST712	.75" Stem Mount, 12"
ST718	.75" Stem Mount, 18"
ST724	.75" Stem Mount, 24"
ST736	.75" Stem Mount, 36"
ST748	.75" Stem Mount, 48"

E - MOUNTING FINISH

Please Note: See **Section C** for Finish Options. 980-Brushed Aluminum is also available for Gooseneck (except G36, G40, G64 & G65) and Stem mounting styles. If Porcelain Finish is selected, mounting will be powder coat painted-to-match.

(I) If Cord Hung [C] or Flush Mount [F] Mounting Style, selection identifies canopy finish

(II) If Chain Hung [CN] Mounting Style, selection identifies chain and canopy finish

(III) If Stem Mount [S] Mounting Style, selection identifies stem and canopy finish

980	Brushed Aluminum
------------	------------------

F - CORDS⁸

Please Note: See **Section D** for all applicable CSA Listed Cord Options for Chain Hung Mounting Style

NA	Not Applicable
-----------	----------------

G - SHADE ACCESSORIES⁶

NA	None
TGG	Heavy Duty Guard
CGG	Cast Guard
WGG	Wire Guard

H - SHADE ACCESSORY FINISH

Please Note: See **Section C** for Finish Options. Natural Metals not applicable with Guard. If Porcelain Finish is selected, accessory will be powder coat painted-to-match

NA	Not Applicable
-----------	----------------

I - GLASS OPTION⁹

NA	Not Applicable
CLR	Clear Glass
FST	Frosted Glass
RIB	Ribbed Glass
BLU	Blue Glass
RED	Red Glass
AMB	Amber Glass
GRN	Green Glass

J - MOUNTING ACCESSORY

NA	None/Not Applicable
HSC	Hang Straight Canopy ^{6,10}
HDSMC	Heavy Duty Stem Mount Canopy ^{6,10}
HDBP	Heavy Duty Backing Plate ^{6,11,12}
DD	Dusk-to-Dawn Photocell ^{11,12}
DBPC	Decorative Backing Plate Cover ^{11,12}
DCHX	Decorative Backing Plate Cover & Hex Cover ^{11,12}

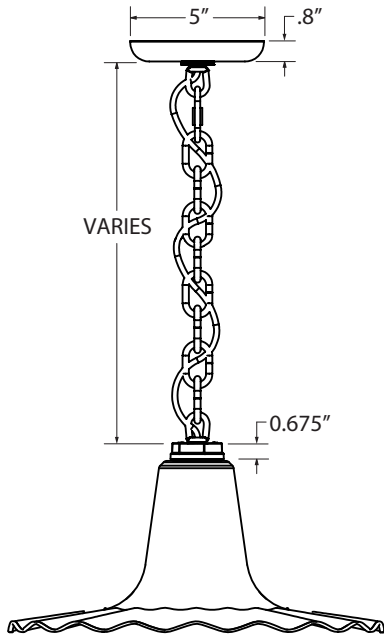
K - LIGHT SOURCE

E26	200 Watt Max
GU24	23 Watt Max ¹³

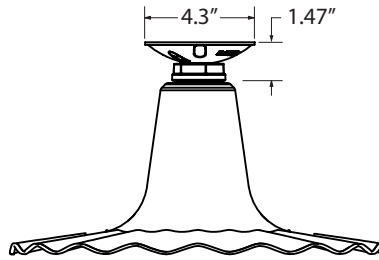
IMPORTANT: (1) Not available in 997-Raw Brass or 998-Weathered Brass (2) All Porcelain Enamel finished shades feature a white interior and a black outer rim (3) All Powder Coat finished shades, Galvanized excluded, feature a white interior (4) Natural Metals have a longer estimated manufacturing time, please check the website for exact lead time. There are no returns accepted on Natural Metals (5) Not available with Chain Hung [CN] option (6) Not available in Natural Metals (7) Not compatible with 16" shade size (8) Only applicable if Chain Hung Mounting Style selected in Section A, select NA if another Mounting Style is selected (9) Guard and Glass accessory reduces incandescent wattage to 100W Max and GU24 Bi-Pin to 18W Max (10) Only applicable if Stem Mounting Style is selected in Section A (11) Only applicable if Gooseneck Mounting Style is selected in Section A (12) Not available with G19 & G40 Gooseneck (13) Fixtures configured with a GU24 socket are non-returnable

MOUNTING STYLE

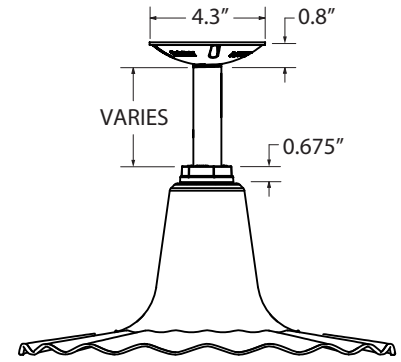
CHAIN HUNG PENDANT (CN)



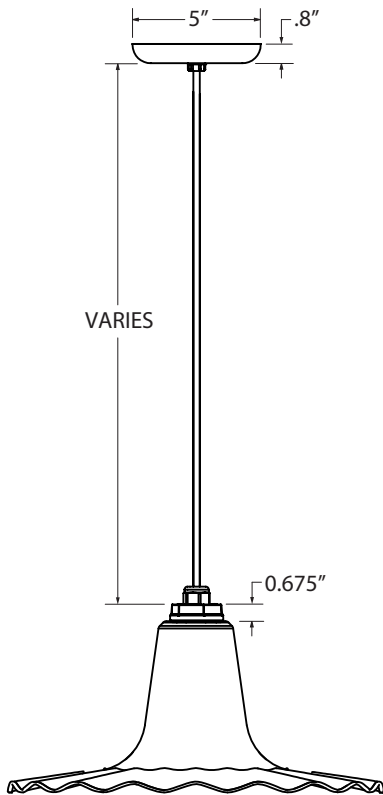
FLUSH MOUNT (F)



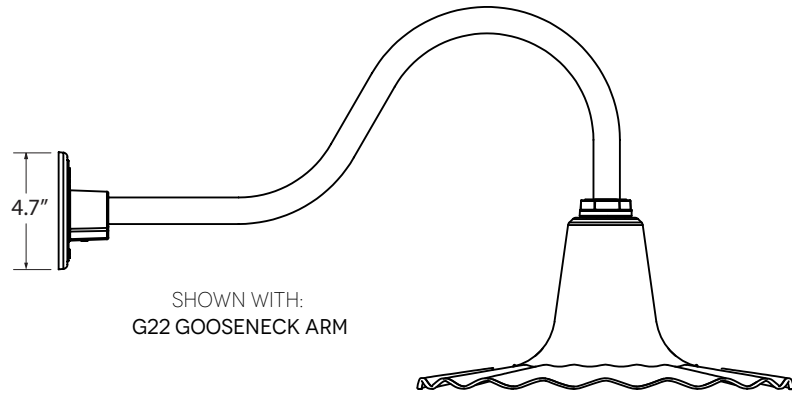
STEM MOUNT PENDANT (S)



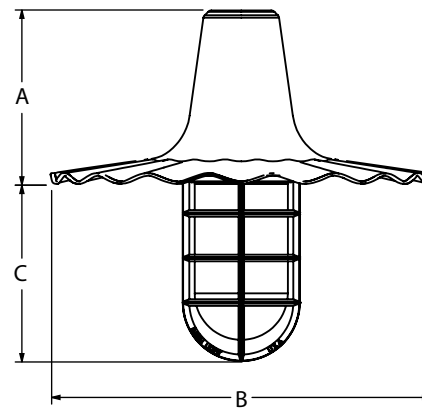
CORD HUNG PENDANT (C)



GOOSENECK (G)



LUMINAIRE DIMENSIONS



SHOWN WITH: OPTIONAL GUARD & GLASS ACCESSORY

SHADE CODE	HEIGHT (A)	DIAMETER (B)	EXTENSION (C)
RWS12	5.75"	12"	6.8"
RWS14	6.50"	14"	6.4"
RWS16	7"	16"	5.8"

SPECIFICATIONS**CERTIFICATIONS, LISTINGS & WARRANTY**

MADE IN THE USA

Manufactured and Hand-Crafted in Our 60,000 Square Foot Facility
Located in Titusville, FL

CSA LISTED FOR WET LOCATIONS

Includes All Gooseneck, Stem and Flush Mounting Styles

CSA LISTED FOR DAMP LOCATIONS

Includes All Chain and Select Cord Hung Mounting Styles

LIMITED WARRANTY

For Additional Information on Our Limited Warranty, Please See
Our Terms & Conditions

UL CERTIFICATION

UL Listed Fixtures Available upon Request. Please Consult Factory
for Additional Information.

LIGHT SOURCE

INCANDESCENT

Medium Base E26 Socket, 120 VAC, 200W Max

COMPACT FLUORESCENT

Bi-Pin Base GU24 Socket, 120 VAC, 23W Max

CONSTRUCTION & FINISH

POWDER COAT SHADE

Hand-Spun from High Purity 3003-O Temper Aluminum

GALVANIZED SHADE

Hand Spun from High Quality Galvanized Steel

PORCELAIN SHADE

Hand-Spun from 20 Gauge Porcelain Steel

POWDER COAT FINISHES

Polyester Powder Coat Finishes Are Electro-Statically Applied and
Thermocured

PORCELAIN FINISHES

Applied by Hand and Fired in a High Temperature Oven

COPPER

Hand-Spun from High Purity C11000-O60 ETP Copper

BRASS

Hand-Spun from High Purity C2600-O60 Brass

STEM

1/2" Nominal (0.84" Actual) or 3/4" Nominal (1.05" Actual) Sch 40,
6063 Aluminum Mounting Stem. Custom Lengths Available upon
Request.

GOOSENECK

1/2" Nominal (0.84" Actual) or 3/4" Nominal (1.05" Actual) Sch 40,
6063 Aluminum Gooseneck

CORD

Cord-Hung Pendants Include 7' of Standard Cord or 5' of Cotton or
Cloth Cord, +/- For Socket Orientation

CHAIN

4-Gauge Chain Complete with Quick Link for On-Site Adjustments
to Chain's Length