

BLE - \_\_\_\_\_ - \_\_\_\_\_ - \_\_\_\_\_ - \_\_\_\_\_ - \_\_\_\_\_ - \_\_\_\_\_ - \_\_\_\_\_ - \_\_\_\_\_

A                      B                      C                      D                      E                      F                      G

\_\_\_\_\_ - \_\_\_\_\_ - \_\_\_\_\_

H                      I                      J

Order Example: BLE - CN - RWS14 - 420 - CN36 - 975 - SBK - NA - LED16 - 2700K - FL

**A - MOUNTING STYLE**

<b>C</b>	Cord Hung
<b>CN</b>	Chain Hung
<b>F</b>	Flush Mount
<b>G</b>	Gooseneck
<b>S</b>	Stem Mount

**B - SHADE SIZE****SEASIDE:**

<b>RWS12</b>	12" Shade
<b>RWS14</b>	14" Shade
<b>RWS16</b>	16" Shade

**C - SHADE FINISH****PORCELAIN FINISHES<sup>1</sup>:**

<b>150</b>	Black
<b>250</b>	White
<b>350</b>	Vintage Green
<b>355</b>	Jadite
<b>455</b>	Cherry Red
<b>550</b>	Yellow
<b>650</b>	Bronze
<b>750</b>	Cobalt Blue
<b>765</b>	Delphite Blue
<b>850</b>	Graphite
<b>950</b>	Metallic Chrome

**POWDER COAT FINISHES<sup>2</sup>:**

<b>100</b>	Black
<b>105</b>	Textured Black
<b>106</b>	Matte Black
<b>200</b>	White
<b>206</b>	Matte White
<b>300</b>	Dark Green
<b>307</b>	Emerald Green
<b>311</b>	Jadite
<b>370</b>	Mint
<b>380</b>	Chartreuse
<b>390</b>	Teal
<b>400</b>	Barn Red
<b>420</b>	Orange
<b>470</b>	Watermelon
<b>480</b>	Blush Pink
<b>490</b>	Magenta
<b>495</b>	Sherbet Orange
<b>500</b>	Buttery Yellow
<b>570</b>	Sunflower
<b>600</b>	Bronze
<b>601</b>	Chocolate
<b>605</b>	Rust
<b>615</b>	Oil-Rubbed Bronze
<b>700</b>	Royal Blue
<b>705</b>	Navy

**C - SHADE FINISH (CONTINUED)****POWDER COAT FINISHES<sup>2</sup>:**

<b>710</b>	Cobalt Blue
<b>715</b>	Delphite Blue
<b>790</b>	Lavender
<b>800</b>	Industrial Grey
<b>805</b>	Charcoal Granite
<b>810</b>	Graphite
<b>975</b>	Galvanized

**NATURAL METALS<sup>3</sup>:**

<b>995</b>	Raw Copper
<b>996</b>	Weathered Copper
<b>997</b>	Raw Brass
<b>998</b>	Weathered Brass
<b>999</b>	Oil-Rubbed Copper

**D - MOUNTING**

Please Note: If Flush Mount [F] is selected in Section A, please select **NA**

<b>NA</b>	Not Applicable
-----------	----------------

**CSA LISTED CORDS:**

<b>SBK</b>	Standard Black
<b>SWH</b>	Standard White
<b>CSB</b>	Black Cloth
<b>CSW</b>	White Cloth
<b>CMG</b>	Grey Cloth
<b>CSR</b>	Red Cloth
<b>CRZ</b>	Red Chevron Cloth
<b>CSBB</b>	Black & Brown Cloth
<b>CSRW</b>	Red & White Cloth
<b>CSGW</b>	Gold & White Cloth
<b>CSBG</b>	Black & Gold Cloth
<b>CSBW</b>	Black & White Cloth
<b>CSBP</b>	Black & Pink Cloth
<b>CSUW</b>	Blue & White Cloth

**CHAIN MOUNT OPTIONS<sup>4</sup>:**

<b>CN36</b>	3' of Chain
<b>CN48</b>	4' of Chain
<b>CN60</b>	5' of Chain
<b>CN72</b>	6' of Chain

**D - MOUNTING (CONTINUED)****GOOSENECK OPTIONS:**

<b>G1<sup>4</sup></b>	<b>G11<sup>4</sup></b>	<b>G26<sup>4</sup></b>
<b>G2<sup>4</sup></b>	<b>G12<sup>4</sup></b>	<b>G32</b>
<b>G3<sup>4,5</sup></b>	<b>G13</b>	<b>G34<sup>4</sup></b>
<b>G4<sup>5</sup></b>	<b>G14</b>	<b>G35<sup>4</sup></b>
<b>G5<sup>4</sup></b>	<b>G15</b>	<b>G36<sup>4</sup></b>
<b>G6</b>	<b>G16<sup>4</sup></b>	<b>G64<sup>4</sup></b>
<b>G7</b>	<b>G17</b>	<b>G65<sup>4</sup></b>
<b>G8</b>	<b>G22</b>	
<b>G9</b>	<b>G24</b>	
<b>G10</b>	<b>G25</b>	

**STEM MOUNT OPTIONS:**

<b>ST506</b>	.5" Stem Mount, 6" <sup>4</sup>
<b>ST512</b>	.5" Stem Mount, 12" <sup>4</sup>
<b>ST518</b>	.5" Stem Mount, 18" <sup>4</sup>
<b>ST524</b>	.5" Stem Mount, 24" <sup>4</sup>
<b>ST536</b>	.5" Stem Mount, 36" <sup>4</sup>
<b>ST548</b>	.5" Stem Mount, 48" <sup>4</sup>
<b>ST706</b>	.75" Stem Mount, 6"
<b>ST712</b>	.75" Stem Mount, 12"
<b>ST718</b>	.75" Stem Mount, 18"
<b>ST724</b>	.75" Stem Mount, 24"
<b>ST736</b>	.75" Stem Mount, 36"
<b>ST748</b>	.75" Stem Mount, 48"

**E - MOUNTING FINISH**

Please Note: See **Section C** for Finish Options. 980-Brushed Aluminum is also available for Gooseneck (Not Available with G36, G40, G64 & G65) and Stem mounting styles. If a Porcelain shade finish is selected, mounting will be powder coat painted-to-match. Porcelain shade finishes are not available with a Natural Metal mounting finish

(I) If Cord Hung [C], selection identifies canopy finish

(II) If Chain Hung [CN] Mounting Style, selection identifies chain and canopy finish.

Natural Metals are not applicable

(III) If Stem Mount [S] Mounting Style, selection identifies stem and canopy finish

(IV) If Flush Mount [F] Mounting Style, selection identifies hex coupler and canopy finish. Natural Metals are not applicable

<b>980</b>	Brushed Aluminum
------------	------------------

**F - CORDS<sup>6</sup>**

Please Note: See **Section D** for all applicable CSA Listed Cord Options

<b>NA</b>	Not Applicable
-----------	----------------

**G - MOUNTING ACCESSORY**

Please Note: Mounting Accessories below are only applicable with select Mounting Styles. Please refer to product listings on our website for further detail.

<b>NA</b>	None/Not Applicable
<b>HSC</b>	Hang Straight Canopy <sup>4,7</sup>
<b>LDBPC</b>	LED Decorative Backing Plate Cover <sup>8,9</sup>
<b>LDCHX</b>	LED Decorative Backing Plate Cover & Hex Cover <sup>8,9</sup>

**H - LIGHT SOURCE**

<b>LED11</b>	850 Lumen, 11W LED
<b>LED16</b>	1250 Lumen, 16W LED
<b>LED27</b>	2000 Lumen, 27W LED

**I - COLOR TEMPERATURE**

<b>2700K</b>	2700K, Warm White
<b>3000K</b>	3000K, Neutral White
<b>3500K</b>	3500K, Bright White
<b>4000K</b>	4000K, Cool White

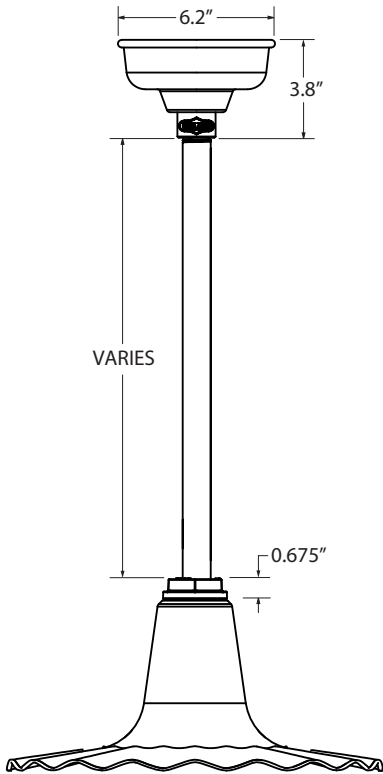
**J - LED LENS**

<b>DL</b>	Domed Lens
<b>FL</b>	Flat Lens

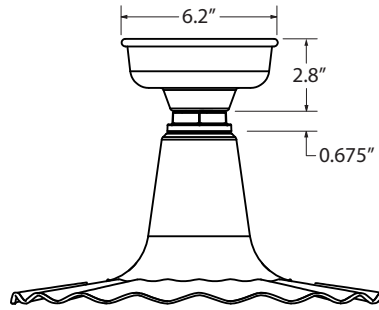
**IMPORTANT:** (1) All Porcelain Enamel finished shades feature a white interior and a black outer rim (2) All Powder Coat finished shades, Galvanized excluded, feature a white interior (3) Natural Metals have a longer estimated manufacturing time, please check the website for exact lead time. There are no returns accepted on Natural Metals (4) Not available in Natural Metals (5) Not compatible with 16" shade size and larger (6) Only applicable if Chain Hung Mounting Style selected in Section A, select NA if another Mounting Style is selected (7) Only applicable if Stem Mounting Style is selected in Section A (8) Not available with G3, G4, G11, G15, G26 & G36 Gooseneck option (9) Only applicable if Gooseneck Mounting Style is selected in Section A

**MOUNTING STYLE**

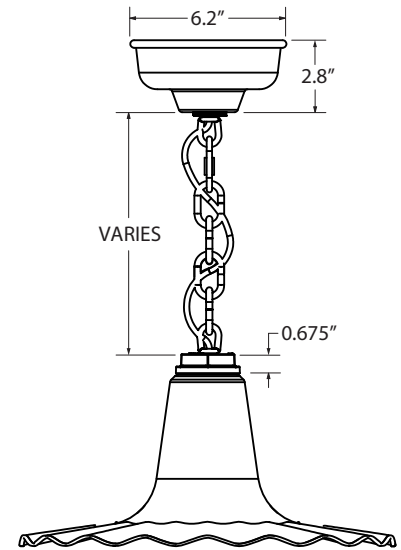
**STEM MOUNT PENDANT (S)**



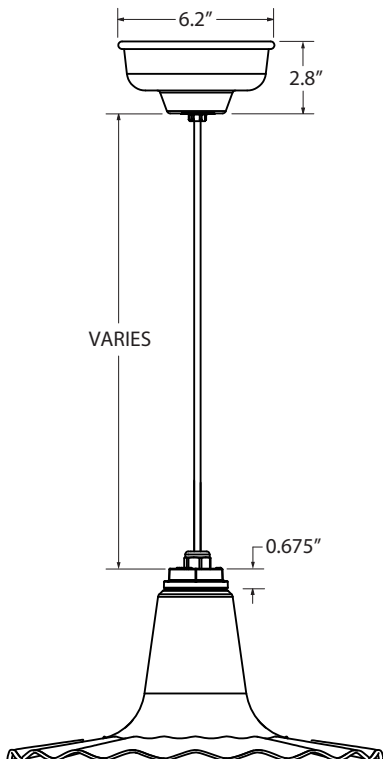
**FLUSH MOUNT (F)**



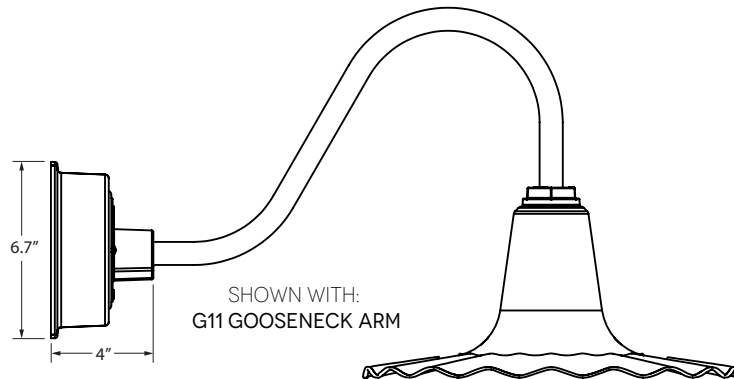
**CHAIN HUNG PENDANT (CN)**



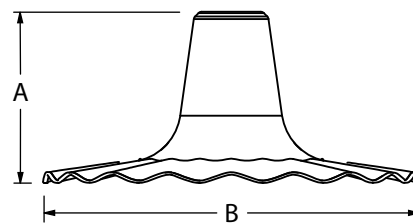
**CORD HUNG PENDANT (C)**



**GOOSENECK (G)**



**LUMINAIRE DIMENSIONS**



SHADE CODE	HEIGHT (A)	DIAMETER (B)
RWS12	5.75"	12"
RWS14	6.50"	14"
RWS16	7"	16"

**LIGHT SOURCE**

All published luminaire photometric testing performed to IESNA LM-79-08 standards by a NVLAP accredited laboratory. Data is considered to be representative of the configurations shown, within the tolerances allowed by Lighting Facts. To obtain an IES file specific to your project, please contact the factory.

Source Lumens		850		1250		2000	
Drive Current		440		440		900	
Wattage		11		16		27	
Shade Size	Optics	Delivered Lumens	LPW	Delivered Lumens	LPW	Delivered Lumens	LPW
RWS12	Flat	851	75	1251	78	1999	74
	Domed	817	72	1201	75	1910	71
RWS14	Flat	851	75	1251	78	1999	74
	Domed	825	72	1213	76	1920	71
RWS16	Flat	850	75	1251	78	1999	74
	Domed	834	73	1226	76	1934	72

**SPECIFICATIONS**

**CERTIFICATIONS, LISTINGS & WARRANTY**

MADE IN THE USA  
 Manufactured and Hand-Crafted in Our 60,000 Square Foot Facility Located in Titusville, FL

CSA LISTED FOR WET LOCATIONS  
 Includes All Gooseneck, Stem and Flush Mounting Styles

CSA LISTED FOR DAMP LOCATIONS  
 Includes All Chain and Select Cord Hung Mounting Styles

LIMITED WARRANTY  
 For Additional Information on Our Limited Warranty, Please See Our Terms & Conditions

OPERATING TEMPERATURE  
 -30°C to 40°C

**CONSTRUCTION & FINISH**

POWDER COAT SHADE  
 Hand-Spun from High Purity 3003-O Temper Aluminum

GALVANIZE SHADE  
 Hand-Spun from High Quality Galvanized Steel

PORCELAIN SHADE  
 Hand-Spun from 20 Gauge Porcelain Steel

POWDER COAT FINISHES  
 Polyester Powder Coat Finishes Are Electro-Statically Applied and Thermocured

PORCELAIN FINISHES  
 Applied by Hand and Fired in a High Temperature Oven

COPPER  
 Hand-Spun from High Purity C11000-O60 ETP Copper

BRASS  
 Hand-Spun from High Purity C2600-O60 Brass

STEM  
 1/2" Nominal (0.84" Actual) or 3/4" Nominal (1.05" Actual) Sch 40, 6063 Aluminum Mounting Stem. Custom Lengths Available upon Request.

**CONSTRUCTION & FINISH (CONTINUED)**

GOOSENECK  
 1/2" Nominal (0.84" Actual) or 3/4" Nominal (1.05" Actual) Sch 40, 6063 Aluminum Gooseneck

CORD  
 Cord-Hung Pendants Include 7' of Standard Cord or 5' of Cloth Cord, +/- For Socket Orientation

CHAIN  
 4-Gauge Chain Complete with Quick Link for On-Site Adjustments to Chain's Length

**LED LIGHT SOURCE**

LED TYPE: CREE LMH2 MODULE  
 INITIAL LUMENS DELIVERED: UP TO 2000 LUMENS  
 L90(6K) > 36,300 HOURS

AVAILABLE CCT: 2700K, 3000K, 3500K, 4000K  
 Custom Temperatures Available upon Request

90+ CRI  
 2 STEP MACADAMS ELLIPSE

EFFICACY: UP TO 78 LPW  
 High Efficacy Available upon Request, Consult Factory for Additional Information

**ELECTRICAL/LED DRIVER**

DRIVER TYPE: ERP ESS/T & ESP/T  
 POWER FACTOR > 0.9  
 EFFICIENCY: UP TO 87% TYPICAL  
 INPUT VOLTAGE: 120-277 VAC (SEE DIMMING SECTION)  
 CLASS 2 POWER SUPPLY  
 LED DRIVER LIFETIME: > 100,000 HOURS (@ 25 DEG C AMBIENT)  
 IP64 MINIMUM RATING CASE WITH SILICONE-BASED POTTING

**SPECIFICATIONS (CONTINUED)**

**ELECTRICAL/LED DRIVER (CONTINUED)**

PROTECTIONS

Output Open Load, Over-Current and Short-Circuit (hiccup), and Over-Temperature with Auto Recovery

CONDUCTED AND RADIATED EMI

Compliant with FCC CFR Title 47 Part 15 Class B (120 Vac), Class A (277 Vac) and EN55015 (CISPR 15) at 220, 230 and 240 Vac

COMPLIANT WITH

Complies with Energy Star® DLR (DesignLight Consortium®) and CA Title 24 Technical Requirements

**DIMMING**

TRI-MODE DIMMING™

Compatible with TRIAC (forward-phase or leading-edge), ELV (reverse-phase or trailing-edge) and 0-10 V Dimmers

DIMMING RANGE 1-100%

The Dimming Range Is Dependent on Each Specific Dimmer. May Not Be Able to Achieve 1% Dimming with Some Dimmers.

TRIAC AND ELV DIMMING ONLY AT 120 VAC

ELV DIMMING AT 230 VAC

Available by Request

COMPATIBLE DIMMERS

Consult Factory for Additional Information on Dimming