



SPS-0589 REV A

**THE ORIGINAL™ LED POST MOUNT LIGHT**

JOB NAME: \_\_\_\_\_ FIXTURE TYPE: \_\_\_\_\_



BLE - \_\_\_\_\_ - \_\_\_\_\_ - \_\_\_\_\_ - \_\_\_\_\_ - \_\_\_\_\_ - \_\_\_\_\_ - \_\_\_\_\_ - \_\_\_\_\_

**A**                  **B**                  **C**                  **D**                  **E**                  **F**                  **G**

          \_\_\_\_\_ - \_\_\_\_\_ - \_\_\_\_\_ - \_\_\_\_\_

**H**                  **I**                  **J**                  **K**

Order Example: BLE - PMDD - WHS14 - 850 - 100 - WC - 100 - PMDBS12 - 100 - LED11 - 2700 - DL

**A - POST MOUNT MODEL**

<b>PMS</b>	Single Post
<b>PMSD</b>	Single Decorative Post
<b>PMD</b>	Double Post
<b>PMDD</b>	Double Decorative Post
<b>PMTD</b>	Triple Decorative Post

**B - SHADE SIZE***THE ORIGINAL™:*

<b>WHS14</b>	14" Shade
<b>WHS16</b>	16" Shade

**C - SHADE FINISH****POWDER COAT FINISHES<sup>1</sup>:**

<b>100</b>	Black
<b>105</b>	Textured Black
<b>200</b>	White
<b>300</b>	Dark Green
<b>307</b>	Emerald Green
<b>311</b>	Jadite
<b>370</b>	Mint
<b>380</b>	Chartreuse
<b>390</b>	Teal
<b>400</b>	Barn Red
<b>420</b>	Orange
<b>470</b>	Watermelon
<b>480</b>	Blush Pink
<b>490</b>	Magenta
<b>495</b>	Sherbet Orange
<b>500</b>	Buttery Yellow
<b>570</b>	Sunflower
<b>600</b>	Bronze
<b>601</b>	Chocolate
<b>605</b>	Rust
<b>615</b>	Oil-Rubbed Bronze
<b>700</b>	Royal Blue
<b>705</b>	Navy
<b>710</b>	Cobalt Blue
<b>715</b>	Delphite Blue
<b>790</b>	Lavender
<b>800</b>	Industrial Grey
<b>805</b>	Charcoal Granite
<b>810</b>	Graphite
<b>975</b>	Galvanized

**PORCELAIN FINISHES<sup>2</sup>:**

<b>150</b>	Black
<b>250</b>	White
<b>350</b>	Vintage Green
<b>355</b>	Jadite
<b>455</b>	Cherry Red
<b>550</b>	Yellow
<b>650</b>	Bronze
<b>750</b>	Cobalt Blue
<b>765</b>	Delphite Blue

**C - SHADE FINISH (CONTINUED)****PORCELAIN FINISHES<sup>2</sup>:**

<b>850</b>	Graphite
<b>950</b>	Metallic Chrome

**NATURAL METALS<sup>3</sup>:**

<b>995</b>	Raw Copper
<b>996</b>	Weathered Copper
<b>997</b>	Raw Brass
<b>998</b>	Weathered Brass
<b>999</b>	Oil-Rubbed Copper

**D - POST MOUNT FINISH***Please Note: See Section C for all Post Mount Finish options.**(I) If a Porcelain Finish is selected, Post Mount will be Powder Coat Painted-to-Match.**(II) Post Mounts not available in Natural Metals***E - OPTIONAL SHADE ACCESSORIES<sup>4</sup>**

<b>NA</b>	None
<b>WC</b>	Wire Cage

**F - OPTIONAL SHADE ACCESSORY FINISH***Please Note: See Section C for all Optional Shade Accessory Finish options.**(I) If a Porcelain Finish is selected, Accessory will be Powder Coat Painted-to-Match.**(II) Accessories not available in Natural Metals**(III) If no Accessory is selected in Section E, select NA.***NA** Not Applicable**G - OPTIONAL DIRECT BURIAL POLE**

<b>NA</b>	None
<b>PMDBSP8</b>	8' Smooth Pole
<b>PMDBFP8</b>	8' Fluted Pole
<b>PMDBS10</b>	10' Smooth Pole
<b>PMDBF10</b>	10' Fluted Pole
<b>PMDBS12</b>	12' Smooth Pole
<b>PMDBF12</b>	12' Fluted Pole

**H - OPTIONAL DIRECT BURIAL POLE FINISH***Please Note: See Section C for all Optional Direct Burial Pole Finish options.**(I) If a Porcelain Finish is selected, Direct Burial Pole will be Powder Coat Painted-to-Match.**(II) Direct Burial Poles not available in Natural Metals**(III) If no Optional Direct Burial Pole is selected in Section E, select NA.***NA** Not Applicable**I - LIGHT SOURCE**

<b>LED11</b>	11W LED, 850 Lumen
<b>LED16</b>	16W LED, 1250 Lumen
<b>LED27</b>	27W LED, 2000 Lumen
<b>LED38</b>	38W LED, 3000 Lumen
<b>LED43</b>	43W LED, 4000 Lumen

**J - COLOR TEMPERATURE**

<b>2700K</b>	2700K, Warm White
<b>3000K</b>	3000K, Neutral White
<b>3500K</b>	3500K, Bright White
<b>4000K</b>	4000K, Cool White

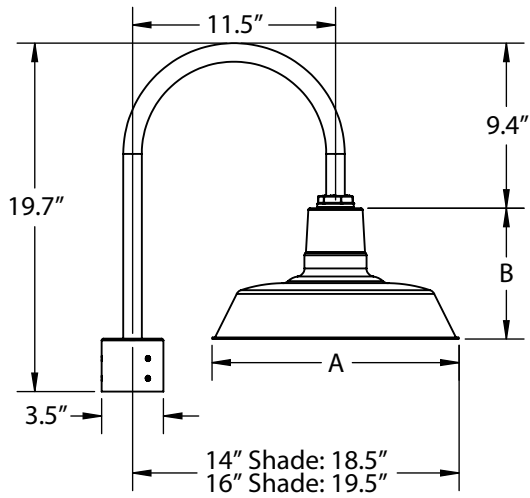
**K - LED LENS**

<b>DL</b>	Domed Lens
<b>FL</b>	Flat Lens

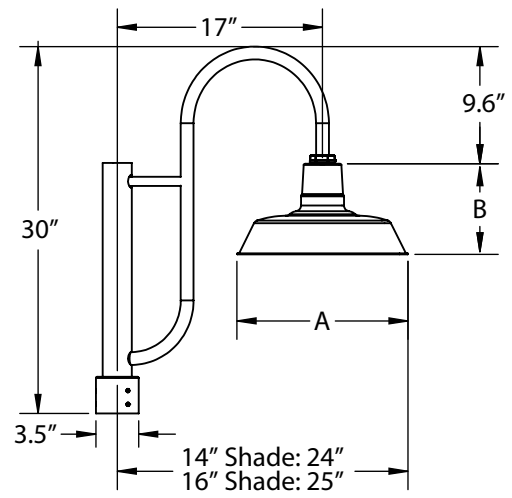
**IMPORTANT:** (1) All Powder Coat finished shades, with the exception of Galvanized, feature a white interior (2) All Porcelain Enamel finished shades feature a white interior and a black outer rim (3) Natural Metals have a longer estimated lead time, please check the website for exact manufacturing time. There are no returns accepted on Natural Metals. (4) Not available in Natural Metals

**LUMINAIRE DIMENSIONS**

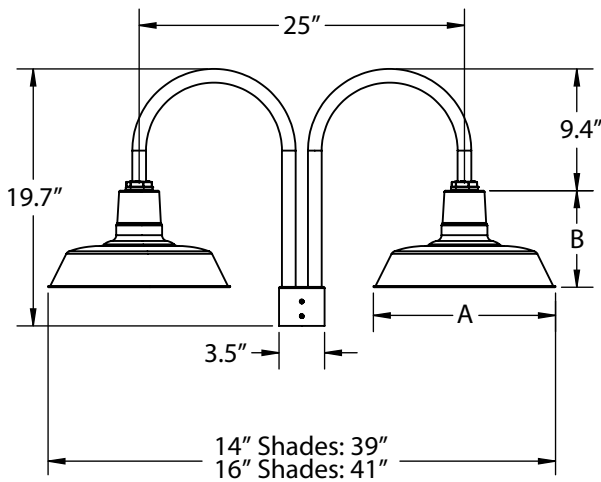
**SINGLE POST (PMS)**



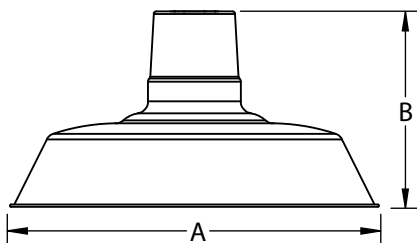
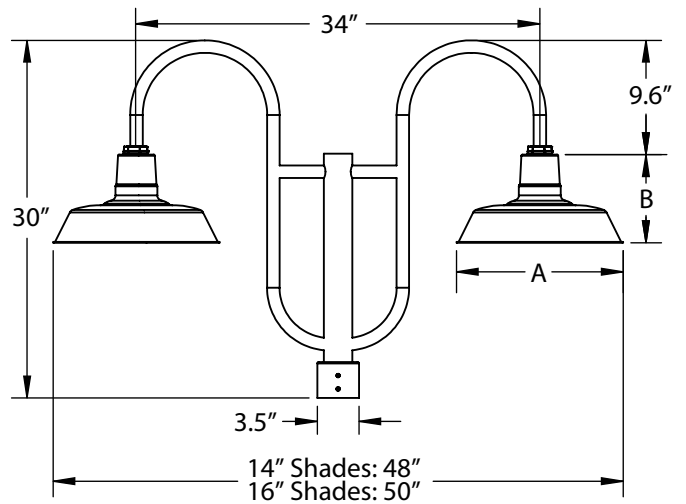
**SINGLE DECORATIVE POST (PMSD)**



**DOUBLE POST (PMD)**

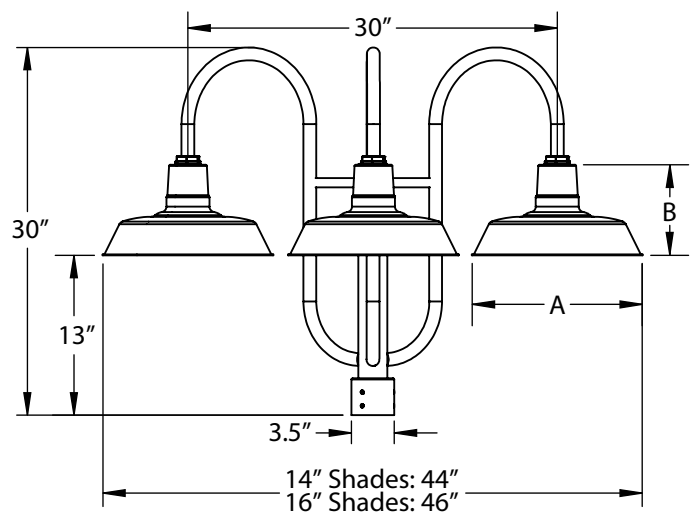


**DOUBLE DECORATIVE POST (PMDD)**



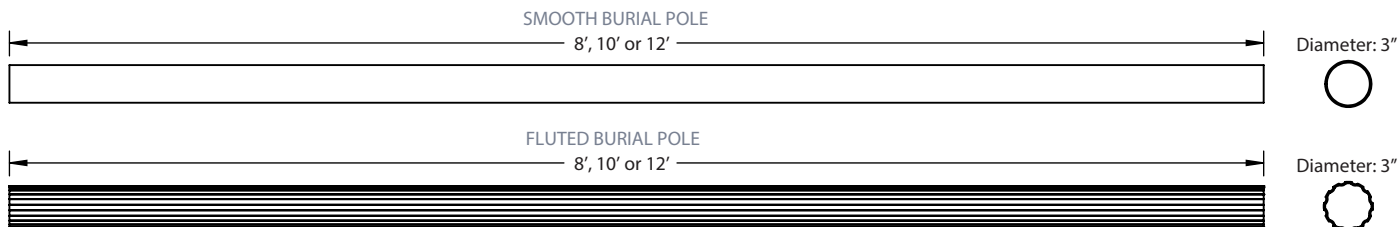
SHADE CODE	DIAMETER (A)	HEIGHT (B)
WHS14	14"	7.5"
WHS16	16"	7.75"

**TRIPLE DECORATIVE POST (PMTD)**



**DIRECT BURIAL POLE**

The optional Direct Burial Pole allows our Post Mounts to spread their unique style across an entire residential or commercial property. Two pole styles — smooth and fluted — are available.



**LIGHT SOURCE**

All published luminaire photometric testing performed to IESNA LM-79-08 standards by a NVLAP accredited laboratory. Data is considered to be representative of the configurations shown, within the tolerances allowed by Lighting Facts. To obtain an IES file specific to your project, please contact the factory.

LUMENS		850		1250		2000		3000		4000	
Wattage		11		16		27		38		43	
Optics		Lumens	LPW	Lumens	LPW	Lumens	LPW	Lumens	LPW	Lumens	LPW
WHS14	FLAT	845	74	1243	77	1982	73	2973	78	3964	92
	DOMED	823	72	1210	75	1904	71	2856	75	3808	88
WHS16	FLAT	845	74	1243	77	1982	73	2973	78	3964	92
	DOMED	822	72	1209	75	1902	70	2854	75	3805	88

**SPECIFICATIONS**

**CERTIFICATIONS, LISTINGS & WARRANTY**

MADE IN THE USA  
 Manufactured and Hand-Crafted in our 60,000 Square Foot Facility  
 Located in Titusville, FL

CSA LISTED FOR WET LOCATIONS

OPERATING TEMPERATURE  
 -30°C to 40°C

LIMITED WARRANTY  
 For Additional Information on our Limited Warranty, Please See  
 Our Terms & Conditions

**CONSTRUCTION & FINISH (CONTINUED)**

DIRECT BURIAL POLE  
 Optional Smooth Pole (12 Gauge Galvanized Steel) or Fluted Pole  
 (Schedule 40 Aluminum)

POWDER COAT SHADE  
 Hand-Spun from High Purity 3003-O Temper Aluminum

PORCELAIN SHADE  
 Hand-Spun from 20 Gauge Porcelain Steel

GALVANIZED SHADE  
 Hand Spun from High Quality Galvanized Steel

**CONSTRUCTION & FINISH**

POWDER COAT FINISHES  
 Polyester Powder Coat Finishes are Electro-Staticly Applied and  
 Thermocured

PORCELAIN FINISHES  
 Applied by Hand and Fired in a High Temperature Oven

GOOSENECK  
 3/4" Nominal (1.05" Actual) Sch 40, 6063 Aluminum Gooseneck,  
 6061 Anodized Aluminum for the Post Top Cap

COPPER  
 Hand-Spun from High Purity .032 Thick C11000-O60 ETP Copper

BRASS  
 Hand-Spun from High Purity .050" Thick C2600-O60 Brass

**LED LIGHT SOURCE**

LED TYPE: CREE LMH2 MODULE

INITIAL LUMENS DELIVERED: UP TO 4000 LUMENS

L90(6K) > 36,300 HOURS

AVAILABLE CCT: 2700K, 3000K, 3500K, 4000K  
 Custom Temperatures Available upon Request

90+ CR

2 STEP MACADAMS ELLIPSE

EFFICACY: UP TO 93 LPW  
 High Efficacy Available upon Request, Consult Factory for  
 Additional Information

**SPECIFICATIONS (CONTINUED)**

**ELECTRICAL/LED DRIVER**

DRIVER TYPE: ERP ESS/T  
POWER FACTOR > 0.9  
EFFICIENCY: UP TO 87% TYPICAL  
INPUT VOLTAGE: 120-277 VAC (SEE DIMMING SECTION)  
CLASS 2 POWER SUPPLY  
LED DRIVER LIFETIME: > 100,000 HOURS (@ 25 DEG C AMBIENT)  
IP64 MINIMUM RATING CASE WITH SILICONE-BASED POTTING  
PROTECTIONS  
**Output Open Load, Over-Current and Short-Circuit (Hiccup), and Over-Temperature with Auto Recovery**  
CONDUCTED AND RADIATED EMI  
**Compliant with FCC CFR Title 47 Part 15 Class B (120 VAC), Class A (277 VAC) and EN55015 (CISPR 15) at 220, 230 and 240 VAC**  
COMPLIANT WITH  
**Complies with Energy Star® DLR (DesignLight Consortium®) and CA Title 24 Technical Requirements**

**DIMMING**

TRI-MODE DIMMING™  
**Compatible with TRIAC (Forward-Phase or Leading-Edge), ELV (Reverse-Phase or Trailing-Edge) and 0-10 V Dimmers**  
TRIAC AND ELV DIMMING ONLY AT 120 VAC  
DIMMING RANGE 5-100%  
**The Dimming Range is Dependent on Each Specific Dimmer. May not be able to Achieve 5% Dimming with Some Dimmers**  
ELV DIMMING AT 230 VAC  
**Available by Request**