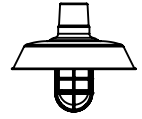




SPS-0505 REV A

THE ORIGINAL™ NAUTICAL LED SERIES

JOB NAME: _____ FIXTURE TYPE: _____



BLE - _____ - _____ - _____ - _____ - _____ - _____ - _____ - _____

A B C D E F G

_____ - _____ - _____ - _____ - _____ - _____ - _____ - _____

H I J K L

Order Example: BLE - G - WHS16 - 600 - G22 - 980 - NA - TGG - 975 - FST - DBPC - LED16.8 - 2700K

A - MOUNTING STYLE

C	Cord Hung
CN	Chain Hung
F	Flush Mount
G	Gooseneck
S	Stem Mount

B - SHADE SIZE

THE ORIGINAL™:

WHS12	WHS20¹
WHS14	
WHS16	
WHS18	

C - SHADE FINISHPORCELAIN FINISHES³:

150	Black
250	White
350	Vintage Green
355	Jadite
455	Cherry Red
550	Yellow
650	Bronze
750	Cobalt Blue
765	Delphite Blue
850	Graphite
950	Metallic Chrome

POWDER COAT FINISHES⁴:

100	Black
105	Textured Black
200	White
300	Dark Green
307	Emerald Green
311	Jadite
370	Mint
380	Chartreuse
390	Teal
400	Barn Red
420	Orange
470	Watermelon
480	Blush Pink
490	Magenta
495	Sherbet Orange
500	Buttery Yellow
570	Sunflower
600	Bronze
601	Chocolate
605	Rust
615	Oil-Rubbed Bronze
700	Royal Blue
705	Navy
710	Cobalt Blue

C - SHADE FINISH (CONTINUED)POWDER COAT FINISHES⁴:

715	Delphite Blue
790	Lavender
800	Industrial Grey
805	Charcoal Granite
810	Graphite
975	Galvanized

NATURAL METALS⁵:

995	Raw Copper
996	Weathered Copper
997	Raw Brass
998	Weathered Brass
999	Oil-Rubbed Copper

D - MOUNTING

Please Note: If Flush Mount [F] is selected in Section A, please select NA.

NA Not Applicable

CSA LISTED CORDS:

SBK	Standard Black
SWH	Standard White
CSB	Black Cloth
CSW	White Cloth
CMG	Grey Cloth
CSR	Red Cloth
CRZ	Red Chevron Cloth
CSBB	Black & Brown Cloth
CSRW	Red & White Cloth
CSGW	Gold & White Cloth
CSBG	Black & Gold Cloth
CSBW	Black & White Cloth
CSBP	Black & Pink Cloth
CSUW	Blue & White Cloth

CHAIN MOUNT OPTIONS:

CN36	3' of Chain ¹
CN48	4' of Chain ¹
CN60	5' of Chain ¹
CN72	6' of Chain ¹

GOOSENECK OPTIONS:

G1¹	G11¹	G25
G2¹	G12¹	G26¹
G3^{1,2}	G13	G32
G4²	G14	G34¹
G5¹	G15	G35¹
G6	G16¹	G36¹
G7	G17	G40¹
G8	G19¹	G64¹
G9	G22	G65¹
G10	G24	

D - MOUNTING (CONTINUED)

STEM MOUNT OPTIONS:

ST506	.5" Stem Mount, 6" ¹
ST512	.5" Stem Mount, 12" ¹
ST518	.5" Stem Mount, 18" ¹
ST524	.5" Stem Mount, 24" ¹
ST536	.5" Stem Mount, 36" ¹
ST548	.5" Stem Mount, 48" ¹
ST706	.75" Stem Mount, 6"
ST712	.75" Stem Mount, 12"
ST718	.75" Stem Mount, 18"
ST724	.75" Stem Mount, 24"
ST736	.75" Stem Mount, 36"
ST748	.75" Stem Mount, 48"

E - MOUNTING FINISH

Please Note: See Section C for Finish Options. 980-Brushed Aluminum is also available for Gooseneck and Stem Mounting Styles. If a Porcelain Shade Finish is selected, mounting will be Powder Coat Painted-To-Match. Porcelain Shade Finishes are not available with a Natural Metal Mounting Finish

(I) If Cord Hung [C], selection identifies Canopy Finish

(II) If Chain Hung [CN] Mounting Style, selection identifies Chain and Canopy Finish. Natural Metals are not applicable

(III) If Stem Mount [S] Mounting Style, selection identifies Stem and Canopy Finish

(IV) If Flush Mount [F] Mounting Style, selection identifies Hex Coupler and Canopy Finish. Natural Metals are not applicable

980 Brushed Aluminum

F - CORDS⁵

NA Not Applicable

Please Note: See Section D for all applicable CSA Listed Cord Options

G - SHADE ACCESSORIES

NA	No Guard
TGG	Heavy Duty Guard ¹
CGG	Cast Guard ¹
WGG	Wire Guard ¹

H - SHADE ACCESSORY FINISH

Please Note: See Section C for Finish Options. Natural Metals not applicable with Guard. If Porcelain Shade Finish is selected, accessory will be Powder Coat Painted-To-Match

I - GLASS OPTIONS

CLR	Clear Glass
FST	Frosted Glass
RIB	Ribbed Glass
SMK	Smoke Crackle Glass
BLU	Blue Glass
RED	Red Glass
AMB	Amber Glass
GRN	Green Glass

J - MOUNTING ACCESSORY

Please Note: Mounting Accessories below are only applicable with select Mounting Styles. Please refer to product listings on our website for further detail.

NA	None/Not Applicable
HSC	Hang Straight Canopy ¹⁷
HDSMC	Heavy Duty Stem Mount Canopy ¹⁷
HDBP	Heavy Duty Backing Plate ¹
DD	Dusk-to-Dawn Photocell ⁸
DBPC	Decorative Backing Plate Cover ⁸
DCHX	Decorative Backing Plate Cover & Hex Cover ⁸

K - LIGHT SOURCE

LED16.8 1600 Lumens, 16.8W LED

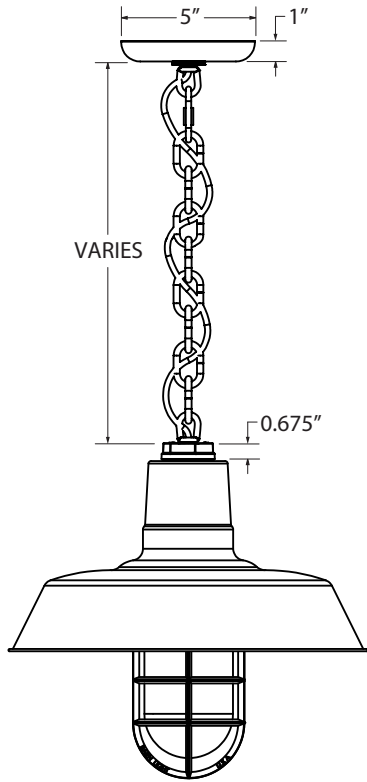
L - COLOR TEMPERATURE

2700K	2700K, Warm White
3000K	3000K, Neutral White
3500K	3500K, Bright White
4000K	4000K, Cool White

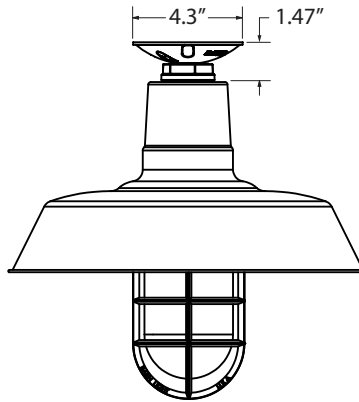
IMPORTANT: (1) Not available in Natural Metals (2) Not compatible with 16" shade size and larger (3) All Porcelain Enamel finished shades feature a white interior and a black outer rim (4) All Powder Coat finished shades, Galvanized excluded, feature a white interior (5) Only applicable if Chain Hung Mounting Style selected in Section A, select NA if another Mounting Style is selected (6) Natural Metals have a longer estimated manufacturing time, please check the website for exact lead time. There are no returns accepted on Natural Metals (7) Only applicable if Stem Mounting Style is selected in Section A (8) Not available with G19, G36, & G40 Gooseneck option

MOUNTING STYLE

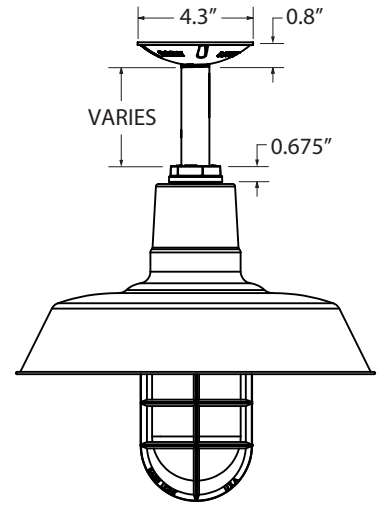
CHAIN HUNG PENDANT (CN)



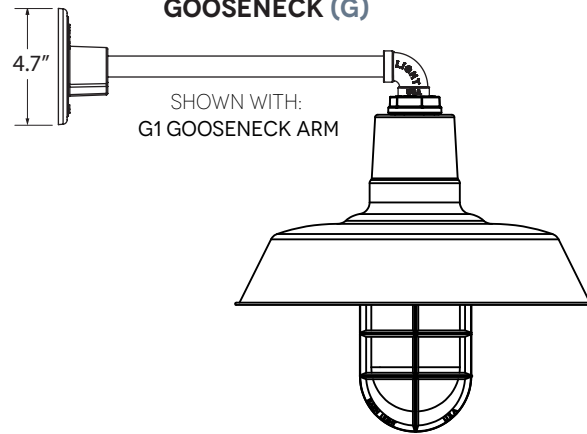
FLUSH MOUNT (F)



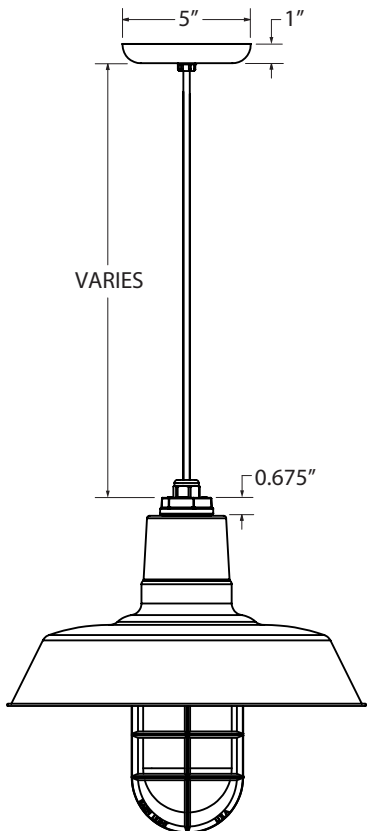
STEM MOUNT PENDANT (S)



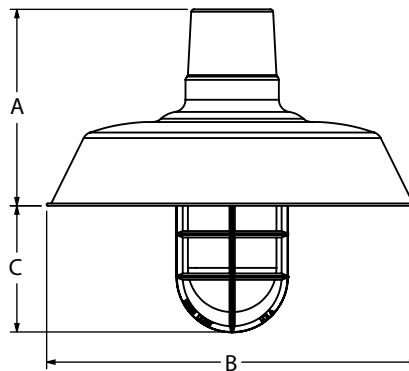
GOOSENECK (G)



CORD HUNG PENDANT (C)



LUMINAIRE DIMENSIONS



SHADE CODE	HEIGHT (A)	DIAMETER (B)	EXTENSION (C)
WHS12	7"	12"	5.1"
WHS14	7.5"	14"	4.8"
WHS16	7.75"	16"	4.4"
WHS18	8.5"	18"	3.6"
WHS20	9.25"	20"	2.9"

SPECIFICATIONS

LED16.8 LIGHT SOURCE

LED TYPE: CREE CXB SERIES COB
 INITIAL LUMENS DELIVERED: UP TO 1600 LUMENS
 L90 (11K) > 61,000 HOURS
 AVAILABLE CCT: 2700K, 3000K, 3500K, 4000K
Custom Temperatures Available upon Request
 90+ CRI (R9 TYPICAL 60)
80+ CRI and 95+ CRI (R9 Typical 85) Available upon Request
 2 STEP MACADAMS ELLIPSE
 EFFICACY: UP TO 95 LPW
High Efficacy Available upon Request, Consult Factory for Additional Information

DIMMING

LED 16.8
 Triac & ELV Dimming at 120VAC, Able to Dim down to 1%.
 Dependent on Specific Dimmer.
 0-10V Dimming Available upon Request.

COMPATIBLE DIMMERS
 Consult Factory for Additional Information on Dimming

SHADE & FINISHES

POWDER COAT SHADE
 Hand-Spun from High Purity 0.050" Thick 3003-O Temper Aluminum

PORCELAIN SHADE
 Hand-Spun from 20 Gauge Sheet Metal

POWDER COAT FINISHES
 Polyester Powder Coat Finishes Are Electro-Staticly Applied and Thermocured

PORCELAIN FINISHES
 Applied by Hand and Fired in a High Temperature Oven

COPPER
 Hand-Spun from High Purity .032 Thick C11000-O60 ETP Copper

BRASS
 Hand-Spun from High Purity .050" Thick C2600-O60 Brass

CERTIFICATIONS, LISTINGS & WARRANTY

MADE IN THE USA
 Manufactured and Hand-Crafted in Our 60,000 Square Foot Facility Located in Titusville, FL

CSA LISTED FOR WET LOCATIONS
 Includes All Gooseneck, Stem and Flush Mounting Styles

CSA LISTED FOR DAMP LOCATIONS
 Includes All Chain and Select Cord Hung Mounting Styles

LIMITED WARRANTY
 For Additional Information on Our Limited Warranty, Please See Our Terms & Conditions

OPERATING TEMPERATURE
 -30°C to 40°C

LED16.8 ELECTRICAL/LED DRIVER

DRIVER TYPE: ERP EBRO20U-0400-42
 DRIVE CURRENT: 400mA
 POWER FACTOR > 0.9
 EFFICIENCY: UP TO 85% TYPICAL
 INPUT VOLTAGE: 120 VAC
 CLASS 2 POWER SUPPLY
 LED DRIVER LIFETIME: > 100,000 HOURS (@ 25 DEG C AMBIENT)
 IP20 MINIMUM RATING CASE WITH SILICONE-BASED POTTING
 PROTECTIONS
Output Open Load, Over-Current and Short-Circuit (hiccup), and Over-Temperature with Auto Recovery
 CONDUCTED AND RADIATED EMI
Compliant with FCC CFR Title 47 Part 15 Class B (120 VAC), Class A (277 VAC) and EN55015 (CISPR 15) at 220, 230 and 240 VAC
 COMPLIANT WITH
Complies with Energy Star® DLR (DesignLight Consortium®) and CA Title 24 Technical Requirements

MOUNTING

STEM
 1/2" Nominal (0.84" Actual) or 3/4" Nominal (1.05" Actual) Sch 40, 6063 Aluminum Mounting Stem. Custom Lengths Available upon Request.

GOOSENECK
 1/2" Nominal (0.84" Actual) or 3/4" Nominal (1.05" Actual) Sch 40, 6063 Aluminum Gooseneck

CORD
 Cord-Hung Pendants Include 7' of Standard Cord or 5' of Cloth Cord, +/- For Socket Orientation

CHAIN
 4-Gauge Chain Complete with Quick Link for On-Site Adjustments to Chain's Length

MAX FIXTURE WEIGHT
 10 lbs