



SPS-0225 REV B

WILCOX WALL SCONCE

JOB NAME: _____ FIXTURE TYPE: _____



Order Example: BLE - W - DBW14 - 100 - CGG - SMK - 100 - L-WL - CSBW - NA - E26

A - SHADE SIZE**WILCOX:**

DBW12	12" Shade
DBW14	14" Shade
DBW16	16" Shade

B - FIXTURE FINISH**PORCELAIN FINISHES¹:**

150	Black
250	White
350	Vintage Green
355	Jadite
455	Cherry Red
550	Yellow
650	Bronze
750	Cobalt Blue
765	Delphite Blue
850	Graphite
950	Metallic Chrome

POWDER COAT FINISHES²:

100	Black
105	Textured Black
106	Matte Black
200	White
206	Matte White
300	Dark Green
307	Emerald Green
311	Jadite
370	Mint
380	Chartreuse
390	Teal
400	Barn Red
420	Orange
470	Watermelon
480	Blush Pink
490	Magenta
495	Sherbet Orange
500	Buttery Yellow
570	Sunflower
600	Bronze
601	Chocolate
605	Rust
615	Oil-Rubbed Bronze
700	Royal Blue
705	Navy
710	Cobalt Blue
715	Delphite Blue
790	Lavender
800	Industrial Grey
805	Charcoal Granite
810	Graphite
975	Galvanized

C - OPTIONAL SHADE ACCESSORY

NA	None
WC	Wire Cage
ACR	Acrylic Diffuser ^{3,4,5}
TGG	Heavy Duty Guard
CGG	Cast Guard
WGG	Wire Guard

D - GLASS OPTION⁶

NA	Not Applicable
CLR	Clear Glass
FST	Frosted Glass
RIB	Ribbed Glass
BLU	Blue Glass
RED	Red Glass
AMB	Amber Glass
GRN	Green Glass
SMK	Smoke Crackle Glass

E - OPTIONAL SHADE ACCESSORY FINISH

Please Note: See **Section B** for all optional accessory finish options.

(I) If a porcelain finish is selected, accessory will be powder coat painted-to-match.

(II) If no accessory is selected in Section C, please select NA.

NA	Not Applicable
-----------	----------------

F - PLUG-IN OPTION

NA	None
L-WL	Plug with Inline On/Off Switch ⁷

G - PLUG-IN CORD OPTION

NA	Not Applicable
-----------	----------------

CSA LISTED CORD OPTIONS:

SBK	Standard Black Cord
SWH	Standard White Cord
CMG	Grey Cotton
CRZ	Red Chevron
CSB	Black Cloth Cord
CSW	White Cloth Cord
CSR	Red Cloth Cord
CSBW	Black & White Cloth
CSRW	Red & White Cloth
CSBG	Black & Gold Cloth
CSBP	Black & Pink Cloth
CSGW	Gold & White Cloth
CSUW	Blue & White Cloth
CSBB	Black & Brown Cloth

H - DUSK-TO-DAWN PHOTOCELL⁸

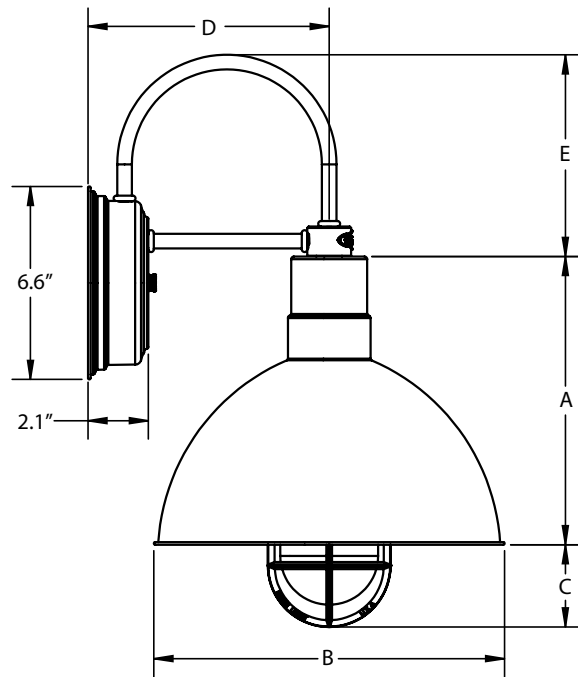
NA	None/Not Applicable
DD	Dusk-to-Dawn Photocell

I - LIGHT SOURCE

E26	200 Watt Max
GU24	23 Watt Max ⁹

IMPORTANT: (1) All Porcelain Enamel finished shades feature a white interior and a black outer rim (2) All Powder Coat finished shades, with the exception of Galvanized, feature a white interior (3) Acrylic Diffuser accessory reduces incandescent wattage to 60W Max (4) Not available with the Guard & Glass Accessory (5) Fixture is UL Listed for Damp Locations with Acrylic Diffuser (6) Guard and Glass accessory reduces incandescent wattage to 100W Max and GU24 Bi-Pin to 18W Max (7) SWH-Standard White Cord and CSW-White Cloth Cord include a white plug and switch, all other cord options will include a black plug and switch (8) Dusk-to-Dawn Photocell not applicable if Plug-In Option selected in Section F (9) Not available with Acrylic Diffuser accessory

MOUNTING DIMENSIONS



SHOWN WITH: OPTIONAL GUARD & GLASS ACCESSORY

SHADE CODE	HEIGHT (A)	DIAMETER (B)	EXTENSION (C)	PROJECTION (D)	ARM HEIGHT (E)
DBW12	9.75"	12"	2.8"	8.3"	6.9"
DBW14	11.25"	14"	1.3"	10.3"	8.3"
DBW16	12.75"	16"	N/A	10.3"	8.3"

SPECIFICATIONS

CERTIFICATIONS, LISTINGS & WARRANTY

MADE IN THE USA
 Manufactured and Hand-Crafted in Our 60,000 Square Foot Facility
 Located in Titusville, FL

CSA LISTED FOR WET LOCATIONS
 (Plug-In Option CSA Listed for Dry Location Only,
 Acrylic Diffuser Option UL Listed for Damp Location Only,
 Acrylic Diffuser W/Plug-in Option UL Listed for Dry Location Only)

LIMITED WARRANTY
 For Additional Information on Our Limited Warranty, Please See
 Our Terms & Conditions

UL CERTIFICATION
 UL Listed Fixtures Available upon Request. Please Consult Factory
 for Additional Information.

CONSTRUCTION & FINISH

POWDER COAT SHADE
 Hand-Spun from High Purity 3003-O Temper Aluminum

PORCELAIN SHADE
 Hand-Spun from 20 Gauge Porcelain Steel

GALVANIZED SHADE
 Hand Spun from High Quality Galvanized Steel

CONSTRUCTION & FINISH (CONTINUED)

POWDER COAT FINISHES
 Polyester Powder Coat Finishes Are Electro-Statically Applied and
 Thermocured

PORCELAIN FINISHES
 Applied by Hand and Fired in a High Temperature Oven

BACKING PLATE
 Hand-Spun from High Purity 3003-O Temper Aluminum

WALL SCONCE ARM
 1/4" Nominal (0.50" Actual) Steel/Aluminum Mounting Arm

CORD & PLUG
 Complete with 8 Feet of Cord, 2-Prong Polarized Plug and Inline
 On/Off Switch

MAX FIXTURE WEIGHT
 10 lbs

LIGHT SOURCE

INCANDESCENT
 Medium Base E26 Socket, 120 VAC, 200W Max

COMPACT FLUORESCENT
 Bi-Pin Base GU24 Socket, 120 VAC, 23W Max