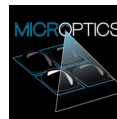


The modern Nova 2, Dark Sky friendly full cutoff LED post top luminaire utilizes NLS' patented *Star Power* Optical System and Silicone Optics to distribute light evenly. The Nova 2 utilizes the most advanced LED technology with the highest lumen per watt LEDs in the market place. Available Kelvin temperatures of 2700K, 3000K, 3500K, 4000K and 5000K.

The Nova 2 offers a collar design that makes the perfect complement to any retail, high-end commercial project, government icon, theater, or walkway project. Wattage offerings begin from 18 to 247. The standard warranty is five year for LEDs and drivers.



STAR POWER™ OPTICAL SYSTEM

The Star Power™ reflector is an excellent system which provides great value and performance.

LED WATTAGE CHART

| | 16L | 32L | 48L | 64L | 80L |
|----------------|-----|------|------|------|------|
| 350 milliamps | 18w | 33w | 51w | 66w | - |
| 530 milliamps | 28w | 54w | 80w | 102w | - |
| 700 milliamps | 36w | 71w | 104w | 137w | - |
| 1050 milliamps | 56w | 106w | 156w | 205w | 247w |

Project Name: _____ Type: _____

| | | | | | | | |
|--|--|--|--|--|--|--|--|
| | | | | | | | |
|--|--|--|--|--|--|--|--|

| Cat# | Light Dist. | # of LEDs | Milliamps | Kelvin | Volts | Mounting | Color | Options |
|-------------------|----------------|---------------|---------------------------|----------------------------|--------------------------------|---------------------------------------|--------------------------------|--|
| Nova 2 (NOV-2) | Type 2 (T2) | 16 (16L) | 350 (35) | 2700K, 80 CRI (27K8) ① | 120-277 (UNV) | Post Top Over 2-3/8" OD (PT238) | Bronze Textured (BRZ) | Marine Grade Finish (MGF) Button Photocell (PC) ② Nema 7-Pin Receptacle (PE7) Photocell + Receptacle (PCR) Receptacle + Shorting Cap (PER) FSP-211 with Motion Sensor (FSP-8) ③ 8'+ Below (FSP-20) ③ 9'-20' Heights (FSP-40) ③ 21'-40' Heights |
| | Type 3 (T3) | 32 (32L) | 530 (53) | 3000K, 70 CRI (30K7) | 347-480 (HV) | Post Top Over 3" OD (PT3) | White Textured (WHT) | |
| | Type 4 (T4) | 48 (48L) | 700 (7) | 3000K, 80 CRI (30K8) ① | | | Smooth White Gloss (SWT) | |
| | Type 5 (T5) | 64 (64L) | 1050 (1) | 3500K, 80 CRI (35K8) ① | Silver (SVR) | | | |
| | | 80 (80L) ③ | | 4000K, 70 CRI (40K7) | Black Textured (BLK) | | | |
| | | | | 4000K, 80 CRI (40K8) ① | Smooth Black Gloss (SBK) | | | |
| | | | 5000K, 70 CRI (50K7) | Graphite Textured (GPH) | | | | |
| | | | 5000K, 80 CRI (50K8) ① | Grey Textured (GRY) | | | | |
| | | | | Custom (CS) | | | | |

Notes:
 ① Consult Factory for Lead Time. Consult Factory for 90 CRI Requests.
 ② Universal Voltage 120-277
 ③ Only available in 1050mA with Silicone Optics

PRODUCT SPECIFICATIONS

HOUSING

Low Profile Cast and Spun Aluminum Housing and Frame.

ELECTRICAL

- 120-277 Volts (UNV) or 347-480 Volts (HV)
- 0-10V dimming driver
- Driver power factor at maximum load is $\geq .95$, THD maximum load is 15%
- LED Drivers Ambient Temp. Min is -40°C and Ambient Temp. Max ranges from 50°C to 55°C and, in some cases, even higher. Consult the factory for revalidation by providing the fixture catalog string before quoting and specifying it.
- All internal wiring UL certified for 600 VAC and 105°C
- CRI 70, 80 or 90
- Color temperatures: 2700K, 3000K, 3500K, 4000K, 5000K
- Surge Protection: 20KA supplies as standard.

OPTIONS

- MARINE GRADE FINISH (MGF)—A multi-step process creating protective finishing coat against harsh environments.
 - Chemically washed in a 5 stage cleaning system.
 - Pre-baked
 - Powder coated 3-5 mils of Zinc Rich Super Durable Polyester Primer.
 - 1-2 feet inside pole coverage top and bottom.
 - Oven Baked.
 - Finished Powder Coating of Super Durable Polyester Powder Coat 3-5 mil thickness.

CONTROLS

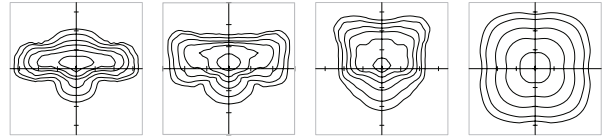
- FSP-211 (FSP-X)—Passive infrared (PIR) sensor providing multi-level control based on motion/daylight contribution.
 - All control parameters adjustable via wireless configuration remote storing and transmitting sensor profiles.
 - FSP-20 mounting heights 9-20 feet
 - FSP-40 mounting heights 21-40 feet.
 - Includes 5 dimming event cycles, 0-10V dimming with motion sensing, re-programmable in the field.
 - FSIR-100 commissioning remote is required to change sensor settings. Please contact factory for ordering.
- NEMA 7-PIN RECEPTACLE (PE7)—An ANSI C136.41-2013 receptacle provides electrical and mechanical interconnection between photo control cell and luminaire. Dimming receptacle available two or four dimming contacts supports 0-10 VDC dimming methods or Digital Addressable Lighting Interface (DALI), providing reliable power interconnect.
- PHOTOCELL + RECEPTACLE (PCR)—7-Pin Receptacle and Electronic Twist Lock Photocell for dusk to dawn operation.
- RECEPTACLE + SHORTING CAP (PER)—7-Pin Receptacle and Shorting Cap.
- PHOTOCELL - Button type photocell.

FINISH

5 mils Powder Coat

OPTICS

Star Power T2, T3, T4 and T5
Silicone Optics; Type 2, 3, 4 and 5
• IES Types



TYPE II (T2)

TYPE III (T3)

TYPE IV (T4)

TYPE V (T5)

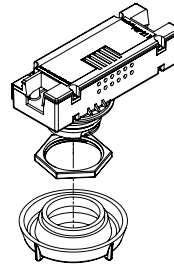
WARRANTY

Standard Warranty is 5 years for Driver and LEDs

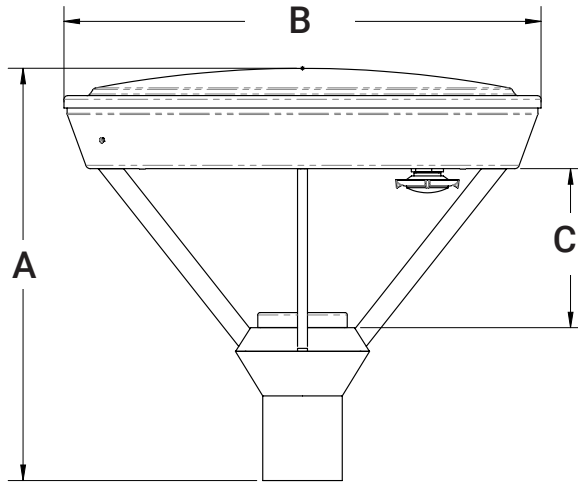
LISTINGS

UL 1598 Listed
IDA Dark Sky Approved

FSP-211



PRODUCT SPECIFICATIONS



| DIMENSION | NOV-2 |
|-----------|-----------|
| A | 21 in. |
| B | 24 in. OD |
| C | 8 in. |
| Weight | 26 lbs. |

| EPA | Nova 2 |
|--------|--------|
| Single | 1.19 |

PRODUCT SPECIFICATIONS

NOVA 2 - LUMEN DATA CHART

| PART NUMBER | T2 OPTIC | Lm/W | T3 OPTIC | Lm/W | T4 OPTIC | Lm/W | T5 OPTIC | Lm/W | WATTS |
|-------------------|----------|------|----------|------|----------|------|----------|-------|-------|
| NOV-2-16L-35-30K7 | 1818 | 101 | 1854 | 103 | 1908 | 106 | 1728 | 96 | 18 |
| NOV-2-16L-35-40K7 | 1890 | 105 | 1926 | 107 | 1980 | 110 | 1800 | 100 | 18 |
| NOV-2-16L-35-50K7 | 1962 | 109 | 1998 | 111 | 2052 | 114 | 1872 | 104 | 18 |
| NOV-2-16L-53-30K7 | 2828 | 101 | 2884 | 103 | 2968 | 106 | 2688 | 96 | 28 |
| NOV-2-16L-53-40K7 | 2940 | 105 | 2996 | 107 | 3080 | 110 | 2800 | 100 | 28 |
| NOV-2-16L-53-50K7 | 3052 | 109 | 3108 | 111 | 3192 | 114 | 2912 | 104 | 28 |
| NOV-2-16L-7-30K7 | 3636 | 101 | 3708 | 103 | 3816 | 106 | 3456 | 96 | 36 |
| NOV-2-16L-7-40K7 | 3780 | 105 | 3852 | 107 | 3960 | 110 | 3600 | 100 | 36 |
| NOV-2-16L-7-50K7 | 3924 | 109 | 3996 | 111 | 4104 | 114 | 3744 | 104 | 36 |
| NOV-2-16L-1-30K7 | 5656 | 101 | 5768 | 103 | 5936 | 106 | 5376 | 96 | 56 |
| NOV-2-16L-1-40K7 | 5880 | 105 | 5992 | 107 | 6160 | 110 | 5600 | 100 | 56 |
| NOV-2-16L-1-50K7 | 6104 | 109 | 6216 | 111 | 6384 | 114 | 5824 | 104 | 56 |
| NOV-2-32L-35-30K7 | 3333 | 101 | 3399 | 103 | 3498 | 106 | 3168 | 96 | 33 |
| NOV-2-32L-35-40K7 | 3465 | 105 | 3531 | 107 | 3630 | 110 | 3300 | 100 | 33 |
| NOV-2-32L-35-50K7 | 3597 | 109 | 3663 | 111 | 3762 | 114 | 3432 | 104 | 33 |
| NOV-2-32L-53-30K7 | 5454 | 101 | 5562 | 103 | 5724 | 106 | 5184 | 96 | 54 |
| NOV-2-32L-53-40K7 | 5670 | 105 | 5778 | 107 | 5940 | 110 | 5755 | 100 | 54 |
| NOV-2-32L-53-50K7 | 5886 | 109 | 5994 | 111 | 6156 | 114 | 5616 | 104 | 54 |
| NOV-2-32L-7-30K7 | 7171 | 101 | 7313 | 103 | 7526 | 106 | 6816 | 96 | 71 |
| NOV-2-32L-7-40K7 | 7455 | 105 | 7597 | 107 | 7810 | 110 | 7100 | 100 | 71 |
| NOV-2-32L-7-50K7 | 7739 | 109 | 7881 | 111 | 8094 | 114 | 7384 | 104 | 71 |
| NOV-2-32L-1-30K7 | 10706 | 101 | 10918 | 103 | 11236 | 106 | 10176 | 96 | 106 |
| NOV-2-32L-1-40K7 | 11130 | 105 | 11342 | 107 | 11660 | 110 | 10600 | 100 | 106 |
| NOV-2-32L-1-50K7 | 11554 | 109 | 11766 | 111 | 12084 | 114 | 11024 | 104 | 106 |
| NOV-2-48L-35-30K7 | 5151 | 101 | 5253 | 103 | 5406 | 106 | 4896 | 96 | 51 |
| NOV-2-48L-35-40K7 | 5355 | 105 | 5457 | 107 | 5610 | 110 | 5100 | 100 | 51 |
| NOV-2-48L-35-50K7 | 5559 | 109 | 5661 | 111 | 5814 | 114 | 5304 | 104 | 51 |
| NOV-2-48L-53-30K7 | 8080 | 101 | 8240 | 103 | 8480 | 106 | 7680 | 96 | 80 |
| NOV-2-48L-53-40K7 | 8400 | 105 | 8560 | 107 | 8800 | 110 | 8000 | 100 | 80 |
| NOV-2-48L-53-50K7 | 8720 | 109 | 8880 | 111 | 9120 | 114 | 8320 | 104 | 80 |
| NOV-2-48L-7-30K7 | 10504 | 101 | 10712 | 103 | 11024 | 106 | 9984 | 96 | 104 |
| NOV-2-48L-7-40K7 | 10920 | 105 | 11128 | 107 | 11440 | 110 | 10400 | 100 | 104 |
| NOV-2-48L-7-50K7 | 11336 | 109 | 11544 | 111 | 11856 | 114 | 10816 | 104 | 104 |
| NOV-2-48L-1-30K7 | 15756 | 101 | 16068 | 103 | 16536 | 106 | 14976 | 96 | 156 |
| NOV-2-48L-1-40K7 | 16380 | 105 | 16692 | 107 | 17160 | 110 | 15600 | 100 | 156 |
| NOV-2-48L-1-50K7 | 17004 | 109 | 17316 | 111 | 17784 | 114 | 16224 | 104 | 156 |
| NOV-2-64L-35-30K7 | 6666 | 101 | 6798 | 103 | 6996 | 106 | 6336 | 96 | 66 |
| NOV-2-64L-35-40K7 | 6930 | 105 | 7062 | 107 | 7260 | 110 | 6600 | 100 | 66 |
| NOV-2-64L-35-50K7 | 7194 | 109 | 7326 | 111 | 7524 | 114 | 6864 | 104 | 66 |
| NOV-2-64L-53-30K7 | 10302 | 101 | 10506 | 103 | 10812 | 106 | 9792 | 96 | 102 |
| NOV-2-64L-53-40K7 | 10710 | 105 | 10914 | 107 | 11220 | 110 | 10200 | 100 | 102 |
| NOV-2-64L-53-50K7 | 11118 | 109 | 11322 | 111 | 11628 | 114 | 10608 | 104 | 102 |
| NOV-2-64L-7-30K7 | 13837 | 101 | 14111 | 103 | 14522 | 106 | 13152 | 96 | 137 |
| NOV-2-64L-7-40K7 | 14385 | 105 | 14659 | 107 | 15070 | 110 | 13700 | 100 | 137 |
| NOV-2-64L-7-50K7 | 14933 | 109 | 15207 | 111 | 15618 | 114 | 14248 | 104 | 137 |
| NOV-2-64L-1-30K7 | 20705 | 101 | 21115 | 103 | 21730 | 106 | 19680 | 96 | 205 |
| NOV-2-64L-1-40K7 | 21525 | 105 | 21935 | 107 | 22550 | 110 | 20500 | 100 | 205 |
| NOV-2-64L-1-50K7 | 22345 | 109 | 22755 | 111 | 23370 | 114 | 21320 | 104 | 205 |
| NOV-2-80L-1-30K7 | 25,426 | 103 | 25,535 | 103 | 25,209 | 102 | 25731 | 104.2 | 247 |
| NOV-2-80L-1-40K7 | 27,472 | 111 | 27,590 | 112 | 27,237 | 110 | 27801 | 112.6 | 247 |
| NOV-2-80L-1-50K7 | 27,472 | 111 | 27,590 | 112 | 27,237 | 110 | 27801 | 112.6 | 247 |

Lumen Maintenance Data

| Ambient Temperature | Drive Current | L90 Hours* | L70 Hours** | 30,000 Hours* | 50,000 Hours* | 60,000 Hours* | 100,000 Hours** |
|---------------------|---------------|------------|-------------|---------------|---------------|---------------|-----------------|
| 25°C | Up to 700mA | 58,000 | 173,000 | 95.7% | 91.6% | 89.6% | 82.1% |
| | 1050mA | 38,000 | 96,000 | 93.0% | 85.4% | 81.8% | 68.8% |

*Reported extrapolations per IESNA TM-21 **Projected extrapolations per IESNA TM-21



701 Kingshill Place, Carson, CA 90746
Call Us Today (310) 341-2037

nlsighting.com