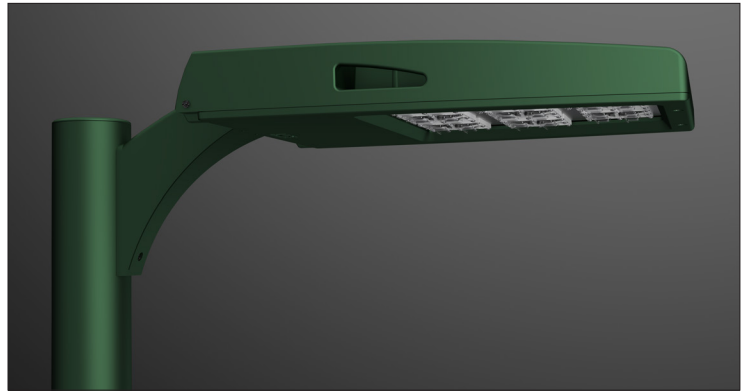


The NV-2 Pickleball Luminaire with Silicon Micro Optics is an excellent choice for Pickleball courts for clubs, private courts, municipalities, and schools. The NV-2 is Full Cutoff and Dark Sky approved. The NV-2 Series has been used on hundreds of lighting projects across the nation.

Product Features

- The NV-2 Pickleball is a Great Value Outdoor Lighting Solution
- NV has been installed in hundreds of lighting projects across the nation
- NV has a sleek design that compliments country club or private court settings
- NV can be ordered with a pre-mounted architectural sweep arm at no extra cost that extends the fixture on to the court 18 inches
- NV can adapt to any existing fixture arm, cross arm, or pole
- NV is completely designed, tooled, extruded, cast, fabricated, powder coated, and assembled in the United States meeting the strictest Made in the USA requirements
- NV optical system is silicon and will never yellow. Silicon optical system does not require different gasket that could fail.
- NV LED light source is concealed and hidden from sight from neighbors, the environment, and dark sky
- NLS manufactures complimentary poles and arms with the same exact paint finish and texture
- NV features drivers from Advance (Best in Industry in terms of longevity, surge protection, and voltage drop)
- Readily available in 480 volt
- NV depreciation rate is more than 3x slower than most import fixtures
- In House photometric design Pickleball expertise available at no charge
- NV-2 is Competitively Priced
- NV-2 Generally can ship in two weeks or less
- **Is a Great Pickleball Light**



LED WATTAGE CHART

	80L	96L	112L	128L
1050 milliamps	263w	316w	366w	409w

Project Name:

Type:

--	--	--	--	--	--	--	--	--

Cat#	Light Dist.	# of LEDs	Milliamps	Kelvin	Volts	Mounting	Color	Options
NV-2 (NV-2)	Type 4 (TP)	96 (96L)	1050 (1)	3000K, 70 CRI (30K7)	120-277 (UNV)	Direct Pole 6" Arm Single, D180 (DPS6) ①	Black Textured (BLK)	Bird Spikes (BS) Marine Grade Finish (MGF) Nema 7-Pin Receptacle (PE7) Photocell + Receptacle (PCR) Receptacle + Shorting Cap (PER) FSP-211 with Motion Sensor (FSP-20) ② 9'-20" Heights (FSP-40) ② 21'-40" Heights Quick Mount Bracket (QMB) Retrofit Mount Bracket (RQMB) Round Pole Adaptor 3"- 4" Pole (RPA4) Round Pole Adaptor 5"- 6" Pole (RPA5)
		112 (112L)		4000K, 70 CRI (40K7)	347-480 (HV)	Direct Pole 12" Arm D90, T90, T120, Quad (DPS12) ①	Green (GRN)	
		128 (128L)		5000K, 70 CRI (50K7)		Knuckle Mount (KM) Tennis Arm (TA) Trunnion Mount (TM) Mast Arm (MA) Architectural Sweep Arm (ASA)	Hunter Green (HGN) Graphite (GPH) Custom (CS)	

Notes:
 ① For Round Pole Specify RPA4 or RPA5
 ② Universal Voltage 120-277

Product Specifications

- Optics; Silicon Micro Optic
- Watts; 205w
- L70: 150,000 Hours
- Driver: 0-10V Dimming driver
- THD @ Max Load < 15%
- Power Factor @ Max Load < 0.95
- Kelvin: 3000, 4000 or 5000
- Finish: 5 mils Powder Coat Warranty:
- Standard Warranty is 5 years for Driver and LEDs

CONSTRUCTION

- Die Cast Aluminum
- External cooling fins
- Corrosion resistant external hardware
- One-piece silicone gasket ensures IP-65 seal for electronics compartment
- One-piece Optics Plate™ mounting silicone Micro Optics
- Two-piece silicone Micro Optic system ensures IP-67 level seal around each PCB
- Grade 2 Clear Anodized Optics Plate™ standard

FINISH

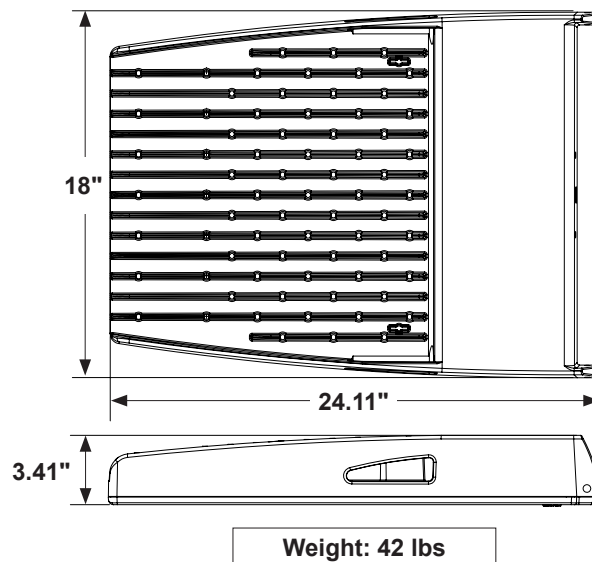
- 3-5 mils electrostatic powder coat.
- NLS' standard high-quality finishes prevent corrosion protects against and extreme environmental conditions

FORM AND FUNCTION

- Sleek, low profile housing
- Spec grade performance
- Engineered for optimum thermal management
- Low depreciation rate
- Reduces energy consumption and costs up to 65%
- Exceeds IES foot candle levels utilizing the least number of poles and fixtures per project

LISTINGS

- Certified to UL 1598
- UL 8750
- CSA C22.2 No. 250.0
- DesignLights Consortium® (DLC)
- DesignLights Consortium Premium® (DLCP)
- IP65/ IP67 Rated
- 3G Vibration Rated per ANSI C136.31-2010



LUMENS

PART NUMBER	TP	LM/W	TP AHS	LM/W	TP HSS	LM/W	W
NV-2-80L-1-30K7	30245	115	18936	72	14991	57	263
NV-2-80L-1-40K7	32086	122	19988	76	16043	61	263
NV-2-80L-1-50K7	33664	128	21040	80	17095	65	263
NV-2-96L-1-30K7	36340	115	22752	72	18012	57	316
NV-2-96L-1-40K7	38552	122	24016	76	19276	61	316
NV-2-96L-1-50K7	40448	128	25280	80	20540	65	316
NV-2-112L-1-30K7	42090	115	26352	72	20862	57	366
NV-2-112L-1-40K7	44652	122	27816	76	22326	61	366
NV-2-112L-1-50K7	46848	128	29280	80	23790	65	366
NV-2-128L-1-30K7	47035	115	29448	72	23313	57	409
NV-2-128L-1-40K7	49898	122	31084	76	24949	61	409
NV-2-128L-1-50K7	52352	128	33129	81	26585	65	409

BUG RATING

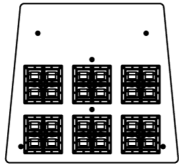
PART NUMBER	TP	TP HSS
NV-2-80L-1-30K7	B3-U0-G4	B1-U0-G3
NV-2-80L-1-40K7	B3-U0-G4	B1-U0-G3
NV-2-80L-1-50K7	B3-U0-G4	B1-U0-G3
NV-2-96L-1-30K7	B3-U0-G4	B1-U0-G3
NV-2-96L-1-40K7	B3-U0-G4	B1-U0-G4
NV-2-96L-1-50K7	B3-U0-G4	B1-U0-G4
NV-2-112L-1-30K7	B4-U0-G5	B1-U0-G4
NV-2-112L-1-40K7	B4-U0-G5	B1-U0-G4
NV-2-112L-1-50K7	B4-U0-G5	B1-U0-G4
NV-2-128L-1-30K7	B4-U0-G5	B1-U0-G4
NV-2-128L-1-40K7	B4-U0-G5	B1-U0-G4
NV-2-128L-1-50K7	B4-U0-G5	B1-U0-G4



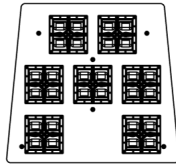
701 Kingshill Place, Carson, CA 90746
 Call Us Today (310) 341-2037

nlsighting.com

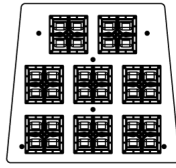
OPTICAL CONFIGURATIONS



NV-2 / 96L



NV-2 / 112L



NV-2 / 128L

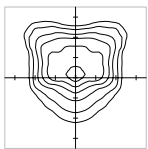
OPTICS

Silicone optics high photothermal stability and light output provides higher powered LEDs with minimized lumen depreciation LED life. UV and thermal stability with scratch resistance increases exterior application durability.

CONTROLS - Consult Factory

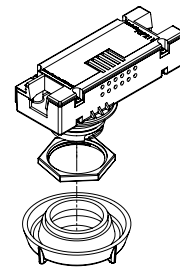
CONTROLS - Consult Factory

- **FSP-211 (FSP-X)**—Passive infrared (PIR) sensor providing multi-level control based on motion/daylight contribution.
 - All control parameters adjustable via wireless configuration remote storing and transmitting sensor profiles.
 - FSP-20 mounting heights 9-20 feet
 - FSP-40 mounting heights 21-40 feet.
 - Includes 5 dimming event cycles, 0-10V dimming with motion sensing, re-programmable in the field.
- **NEMA 7-PIN RECEPTACLE (PE7)**—An ANSI C136.41-2013 receptacle provides electrical and mechanical interconnection between photo control cell and luminaire. Dimming receptacle available two or four dimming contacts supports 0-10 VDC dimming methods or Digital Addressable Lighting Interface (DALI), providing reliable power interconnect.
- Motion Based Percentage Outputs and Time Intervals
- (On, Dim, Off)
- Two Settings
- Full Output Setting 100%
- Backyard Party Setting 10%



TYPE4 (TP)

FSP-211



EPA

EPA	SGL	D90	D180	T90	T120	QD
NV-2-DP	0.89	1.22	1.78	1.96	1.91	1.96
NV-2-KM	0.69	1.18	1.38	1.85	2.68	1.85
NV-2-ASA	0.98	1.96	1.75	2.66	2.62	2.66

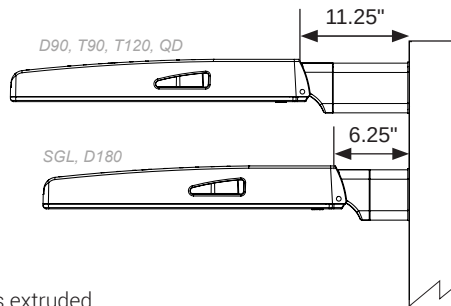
Lumen Maintenance Data							
Ambient Temperature	Drive Current	L90 Hours*	L70 Hours**	30,000 Hours*	50,000 Hours*	60,000 Hours*	100,000 Hours**
25°C	Up to 700mA	58,000	173,000	95.7%	91.6%	89.6%	82.1%
	1050mA	48,000	143,000	94.3%	89.5%	87.2%	78.5%

*Reported extrapolations per IESNA TM-21 **Projected extrapolations per IESNA TM-21

DPX ARM LENGTH

DPX ARM LENGTH	SGL	D90	D180	T90	T120	QD
NV-2	6.25"	11.25"	6.25"	11.25"	11.25"	11.25"

MOUNTING OPTIONS

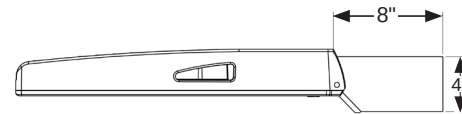
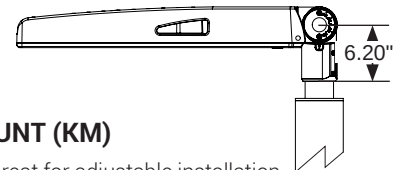


DIRECT POLE (DP)

Standard mounting arm is extruded aluminum in lengths of 6.25" and 11.25".
*Arm lengths may vary depending on configuration

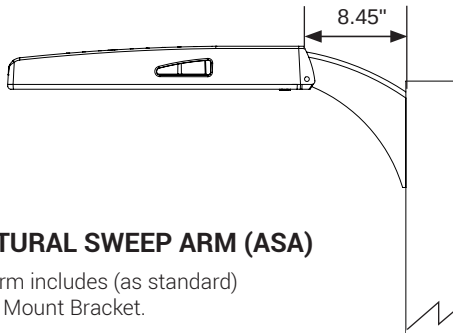
KNUCKLE MOUNT (KM)

Die Cast Knuckle great for adjustable installation on 2-3/8" OD vertical or horizontal tenon.
• Max Up-tilt of 90 degrees
• Adjustable in 6 degree increments
* Consult Factory



TENNIS ARM (TA)

Steel fitter slips over 3.5" x 1.5" rectangular arm.
*See Tennis Arm Spec Sheet for details



ARCHITECTURAL SWEEP ARM (ASA)

Cast Sweep Arm includes (as standard) Internal Quick Mount Bracket.

OPTIONAL

Optional Cast Aluminum Bracket, **Quick Mount Bracket (QMB)** and **Retrofit Quick Mount Bracket (RQMB)**, designed for quick mounting on Direct Square or Round Poles. Cleat mounts directly to pole for easily hung fixtures.

