

PRIME 3" LED ARCHITECTURAL ROUND FLANGED DOWNLIGHT FOR 6" TECHZONE® CEILINGS (SILHOUETTE®, SUPRAFINE®, INTERLUDE®, OR PRELUDE®) BY ARMSTRONG®



USE OF PRODUCT

The 3" PRIME Architectural Series for use in 6" TechZone Ceilings allows for a seamless installation and integration of luminaires within either the Silhouette®, Suprafine®, Interlude®, or Prelude® ceiling types offered by Armstrong®. Available in Downlight, Wall Wash, and Adjustable in an assortment of finishes in round or square flanged trims.

LED ENGINE

LED engine available with CREE LEDs in 2700K, 3000K, 3500K, or 4000K in standard 93+ CRI. 2 Step MacAdam ellipse allows for color consistency between fixtures. LED mounted to aluminum heat sink for maximum life output and thermal management. LED engine is accessible from below ceiling.

FRAME CONSTRUCTION

NonIC housing constructed from 20 gauge cold rolled steel. Junction box with ½" knockouts. Integrated mounting brackets that will snap directly into 6" Techzone® Ceiling grids. Compatible with the following series: Silhouette®, Suprafine®, Interlude®, or Prelude®

OPTICAL LENS & FILTERS (Field Replaceable)

Field replaceable optical lens available in 12°, 22°, 27°, 35° and 45°. Easily achieve narrow spot to wide flood beam pattern. Accepts up to 2 filters.

DIMMING

Available in 8 driver selections. (ID) Standard all-inclusive ELV(120V), Triac(120V), and 0-10V(120-277V) dimming driver called Intelligent Drive, 120-277V. (PEQ0) Lutron Hi-Lume Premier Ecosystem 0.1% w/soft on, fade to black dimming, 120-277V. (LDE1) Lutron Hi-Lume 1% Ecosystem with soft on, fade to black dimming, 120-277V. (L3DA) Hi-Lume 1% EcoSystem/3-Wire L3D Driver (EEI) eldoLED Eco 1% Dim (0-10V), 120-277V. (EDIO) eldoLED Solo 0.1% Dim(0-10V), 120-277V. (EDID) eldoLED Solo 0.1% Dim(DALI), 120-277V. Driver accessible from below ceiling.

THERMAL MANAGEMENT

Ambient temperatures at fixture location should not exceed -20° to 40°C.

TRIM

Die cast trim. Consult factory for made to order finishes.

EMERGENCY BATTERY

Optional emergency battery available for a minimum of 90 minutes with Remote test switch in 800 delivered lumens.

LABELS/COMPLIANCE/WARRANTY

-CSA listed for US and Canada
-Dry/Damp/Wet location rated
-Energy Star
-5 year limited warranty



ORDERING INFORMATION

RPA

Aperture Size Lumens Color Temperature Voltage Dimming Optical Lens Filter Housing Type Aperture Options

Series	Aperture Size	Lumens	Color Temperature	Voltage	Dimming	Optical Lens	Filter
RPA	3 - 3"	8L - 890 lm	27 - 2700K	UNV - 120-277	ID ¹ - Standard all-inclusive ELV, Triac, and 0-10V dimming driver (Intelligent Drive)	12 - 12°	None - Leave blank
PRIME Series		11L - 1175 lm	30 - 3000K	120 - 20V	PEQ0 - Lutron Hi-Lume Premier Ecosystem 0.1% w/ soft on, fade to black dimming	22 - 22°	F - Frosted filter
		16L - 1650 lm	35 - 3500K	347 - 347V	LDE1 ² - Lutron Hi-Lume 1% Ecosystem with soft on, fade to black dimming	27 - 27°	H - Honey comb
			40 - 4000K		LTE ² - Lutron Hi-Lume 1% 2-wire	35 - 35°	S - Solite filter
					L3DA - Hi-lume 1% EcoSystem/3-Wire L3D Driver	45 - 45°	L - Linear filter
					EEI ² - eldoLED Eco 1% Dim (0-10V)		
					EDIO ^{2,3} - eldoLED Solo 0.1% Dim (0-10V)		
					EDID ^{2,3} - eldoLED Solo 0.1% Dim (DALI)		

Housing Type	Aperture	Options
TZ6 - 6" TechZone Ceiling	SFD - Square Flange Downlight	ER8 ² - Emergency battery with remote switch (800 Lumens)

TRIM ORDERING INFORMATION

Aperture Size / Shape / Trim Type / Style	Bevel Opening	Bevel
3RFO - 3" Round Flange Open	CL - Die cast large opening CS - Die cast small opening	W - White B - Black H - Haze BZ - Bronze C - Clear MTO - Made to order

Notes

- Intelligent Drive is the standard driver.
- Ceiling access required.
- Must specify logarithmic or inear eldoLED driver.

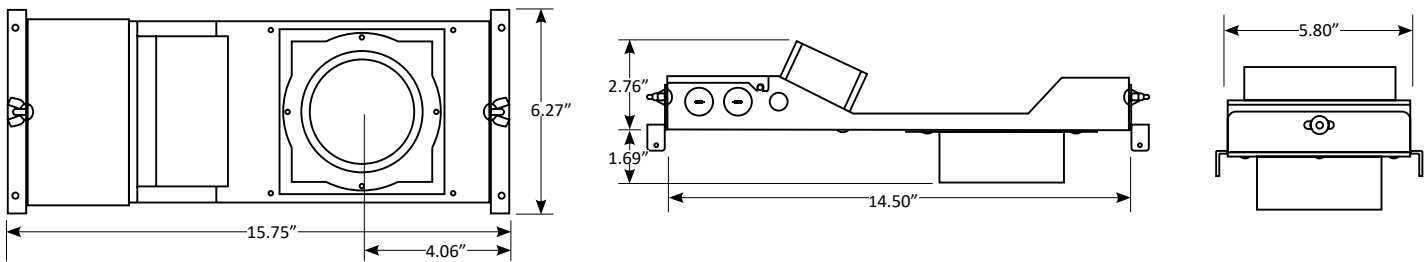
PRIME 3" LED ARCHITECTURAL ROUND FLANGED DOWNLIGHT FOR 6" TECHZONE® CEILINGS
(SILHOUETTE®, SUPRAFINE®, INTERLUDE®, OR PRELUDE®) BY ARMSTRONG®

LUMEN CHART

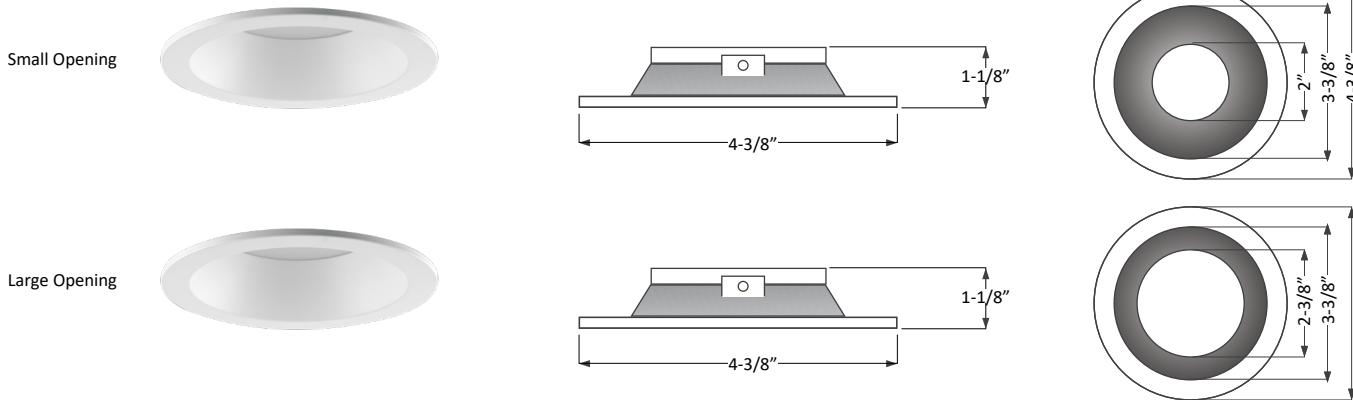
Wattage	Delivered Lumens	Voltage	CRI
10W	890 lm	120 - 277V	93+
14W	1175 lm	120 - 277V	93+
20W	1650 lm	120 - 277V	93+

*Above chart, ordering information, and IES File name reflect delivered lumens based 3000K and 30° optical lens.
**Lumens will vary based on CCT, optical lens, and bevel finish.

HOUSING DIMENSION



TRIM DIMENSION



MODULE/HEATSINK, LED HOLDER & FILTER DIMENSION

