

3" PRIME ARCHITECTURAL ROUND DOWNLIGHT COMPATIBLE WITH ARMSTRONG® WOODWORKS® LINEAR SOLID WOOD PANELS 3-1/4" WIDE PLANKS



USE OF PRODUCT

PRIME 3" LED architectural Round downlight compatible with Armstrong® WoodWorks® linear solid wood panels 3-1/4" wide planks. Available in Downlight, Wall Wash, and Adjustable in an assortment of finishes in round or square trims.

LED ENGINE

LED engine available with CREE LEDs in 2700K, 3000K, 3500K, or 4000K in standard 93+ CRI. 2 Step MacAdam ellipse allows for color consistency between fixtures. LED mounted to aluminum heat sink for maximum life output and thermal management. LED engine is accessible from below ceiling.

FRAME CONSTRUCTION

NonIC housing constructed from 20 gauge cold rolled steel. Junction box with 1/2" knockouts. Custom expandable mounting bars mount directly to ceiling grid.

OPTICAL LENS & FILTERS (Field Replaceable)

Field replaceable optical lens available in 12°, 22°, 27°, 35° and 45°. Easily achieve narrow spot to wide flood beam pattern. Accepts up to 2 filters.

DIMMING

Available in 8 driver selections. (ID) Standard all-inclusive ELV(120V), Triac(120V), and 0-10V(120-277V) dimming driver called Intelligent Drive, 120-277V. (PEQ0) Lutron Hi-Lume Premier Ecosystem 0.1% w/soft on, fade to black dimming, 120-277V. (LDE1) Lutron Hi-Lume 1% Ecosystem with soft on, fade to black dimming, 120-277V. (L3DA) Hi-Lume 1% EcoSystem/3-Wire L3D Driver (EEI) eldoLED Eco 1% Dim (0-10V), 120-277V. (EDIO) eldoLED Solo 0.1% Dim(0-10V), 120-277V. (EDID) eldoLED Solo 0.1% Dim(DALI), 120-277V. Driver accessible from below ceiling.

THERMAL MANAGEMENT

Ambient temperatures at fixture location should not exceed -20° to 40°C.

TRIM

Die cast trim. Consult factory for made to order finishes.

OPTIONAL

Limited visibility through slot by purchase of Armstrong® bioacoustic infill panel #6657. Consult Armstrong for additional information.

EMERGENCY BATTERY

Optional emergency battery available for a minimum of 90 minutes with Remote test switch in 800 delivered lumens.

LABELS/COMPLIANCE/WARRANTY

- CSA listed for US and Canada
- Dry/Damp/Wet location rated
- Energy Star
- 5 year limited warranty



ORDERING INFORMATION

RPA

Aperture Size Lumens Color Temperature Voltage Dimming Optical Lens Filter Housing Type Aperture Options

| Series | Aperture Size | Lumens | Color Temperature | Voltage | Dimming | Optical Lens | Filter |
|--------------|---------------|---------------|-------------------|---------------|---------------------------------------------------------------------------------------------------|--------------|--------------------|
| RPA | 3 - 3" | 8L - 890 lm | 27 - 2700K | UNV - 120-277 | ID ¹ - Standard all-inclusive ELV, Triac, and 0-10V dimming driver (Intelligent Drive) | 12 - 12° | None - Leave blank |
| PRIME Series | | 11L - 1175 lm | 30 - 3000K | 120 - 20V | PEQ0 - Lutron Hi-Lume Premier Ecosystem 0.1% w/ soft on, fade to black dimming | 22 - 22° | F - Frosted filter |
| | | 16L - 1650 lm | 35 - 3500K | 347 - 347V | LDE1 ² - Lutron Hi-Lume 1% Ecosystem with soft on, fade to black dimming | 27 - 27° | H - Honey comb |
| | | | 40 - 4000K | | LTE ² - Lutron Hi-Lume 1% 2-wire | 35 - 35° | S - Solite filter |
| | | | | | L3DA - Hi-lume 1% EcoSystem/3-Wire L3D Driver | 45 - 45° | L - Linear filter |
| | | | | | EEI ² - eldoLED Eco 1% Dim (0-10V) | | |
| | | | | | EDIO ^{2,3} - eldoLED Solo 0.1% Dim (0-10V) | | |
| | | | | | EDID ^{2,3} - eldoLED Solo 0.1% Dim (DALI) | | |

| Housing Type | Millwork Collar Finish | Aperture | Options |
|---------------------------|--------------------------------------------------------------|----------------------------------|----------------------------------------------------------------------|
| WW8176 - Woodwork No.8176 | B ⁴ - Black BZ - Bronze MTO - Made to order | RLD - Round Flangeless Downlight | ERB ² - Emergency battery with remote switch (800 Lumens) |

TRIM ORDERING INFORMATION

| Aperture Size / Shape / Trim Type / Style | Die Cast | Bevel Opening | Bevel |
|-------------------------------------------|----------|------------------------------------------------------------|---------------------------------------------------------------------------------------|
| 3RLO - 3" Round Flangeless Open | | CL - Die cast large opening CS - Die cast small opening | W - White B - Black H - Haze BZ - Bronze C - Clear MTO - Made to order |

- Notes
1. Intelligent Drive is the standard driver.
 2. Ceiling access required.
 3. Must specify logarithmic or inear eldoLED driver.
 4. Standard

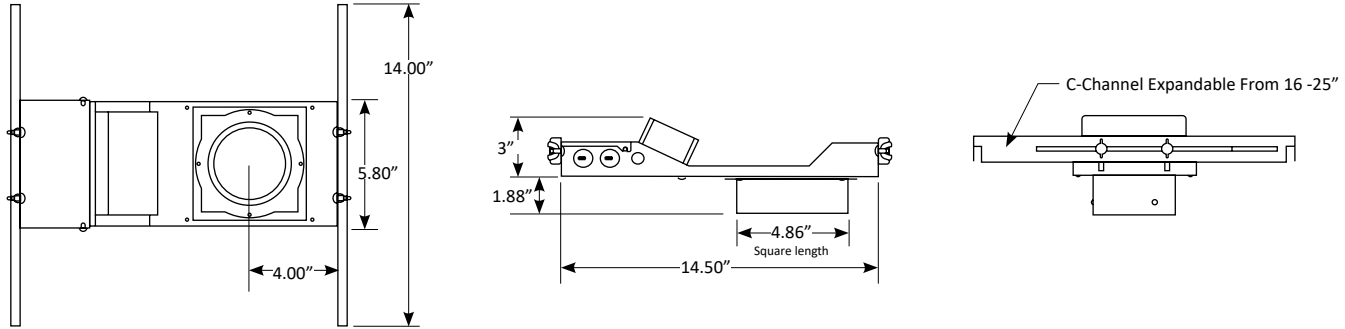
LUMEN CHART

| Wattage | Delivered Lumens | Voltage | CRI |
|---------|------------------|------------|-----|
| 10W | 890 lm | 120 - 277V | 93+ |
| 14W | 1175 lm | 120 - 277V | 93+ |
| 20W | 1650 lm | 120 - 277V | 93+ |

*Above chart, ordering information, and IES File name reflect delivered lumens based 3000K and 30° optical lens.

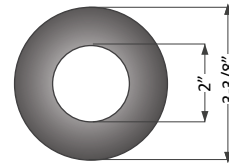
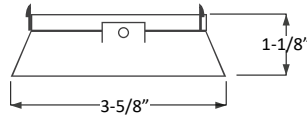
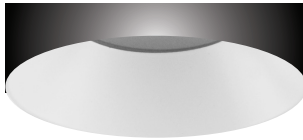
**Lumens will vary based on CCT, optical lens, and bevel finish.

HOUSING DIMENSION

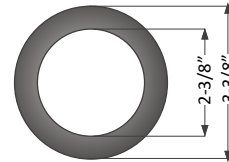
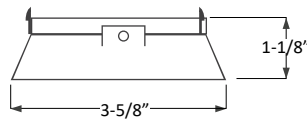


TRIM DIMENSION

Small Opening



Large Opening



MODULE/HEATSINK, LED HOLDER & FILTER DIMENSION

