

4" PRIME ARCHITECTURAL ROUND DOWNLIGHT COMPATIBLE WITH ARMSTRONG® WOODWORKS® LINEAR SOLID WOOD PANELS 5-1/4" WIDE PLANKS



USE OF PRODUCT

PRIME 3" LED architectural Round downlight compatible with Armstrong® WoodWorks® linear solid wood panels 5-1/4" wide planks. Available in Downlight, Wall Wash, and Adjustable in an assortment of finishes in round or square trims.

LED ENGINE

LED engine available with CREE LEDs in 2700K, 3000K, 3500K, or 4000K in standard 93+ CRI. 2 Step MacAdam ellipse allows for color consistency between fixtures. LED mounted to aluminum heat sink for maximum life output and thermal management. LED engine is accessible from below ceiling.

FRAME CONSTRUCTION

NonIC housing constructed from 20 gauge cold rolled steel. Junction box with 1/2" knockouts. Custom expandable mounting directly to ceiling grid.

OPTICAL LENS & FILTERS (Field Replaceable)

Field replaceable optical lens available in 18°, 30°, 50° and 80°. Easily achieve narrow spot to wide flood beam pattern. Accepts up to 2 filters.

DIMMING

Available in 8 driver selections. (ID) Standard all-inclusive ELV(120V), Triac(120V), and 0-10V(120-277V) dimming driver called Intelligent Drive, 120-277V. (PEQ0) Lutron Hi-Lume Premier Ecosystem 0.1% w/soft on, fade to black dimming, 120-277V. (LDE1) Lutron Hi-Lume 1% Ecosystem with soft on, fade to black dimming, 120-277V. (L3DA) Hi-Lume 1% EcoSystem/3-Wire L3D Driver (EEI) eldoLED Eco 1% Dim (0-10V), 120-277V. (EDIO) eldoLED Solo 0.1% Dim(0-10V), 120-277V. (EDID) eldoLED Solo 0.1% Dim(DALI), 120-277V. Driver accessible from below ceiling.

THERMAL MANAGEMENT

Ambient temperatures at fixture location should not exceed -20° to 40°C.

TRIM

Die cast trim. Consult factory for made to order finishes.

OPTIONAL

Limited visibility through slot by purchase of Armstrong® bioacoustic infill panel #6657. Consult Armstrong for additional information.

EMERGENCY BATTERY

Optional emergency battery available for a minimum of 90 minutes with Remote test switch in 800 delivered lumens.

LABELS/COMPLIANCE/WARRANTY

- CSA listed for US and Canada
- Dry/Damp/Wet location rated
- Energy Star
- 5 year limited warranty



ORDERING INFORMATION

RPA

Aperture Size Lumens Color Temperature Voltage Dimming Optical Lens Filter Housing Type Aperture Options

Series	Aperture Size	Lumens	Color Temperature	Voltage	Dimming	Optical Lens	Filter
RPA	4 - 4"	10L - 1055 lm	27 - 2700K	UNV - 120-277	ID ¹ - Standard all-inclusive ELV, Triac, and 0-10V dimming driver (Intelligent Drive)	18 - 18°	None - Leave blank
PRIME Series		12L - 1250 lm	30 - 3000K	120 - 20V	PEQ0- Lutron Hi-Lume Premier Ecosystem 0.1% w/ soft on, fade to black dimming	30 - 30°	F - Frosted filter
		16L - 1645 lm	35 - 3500K	347 - 347V	LDE1 ² - Lutron Hi-Lume 1% Ecosystem with soft on, fade to black dimming	50 - 50°	H - Honey comb
		21L - 2170 lm	40 - 4000K		LTE ² - Lutron Hi-Lume 1% 2-wire	80 - 80°	S - Solite filter
		25L - 2495 lm			L3DA- Hi-lume 1% EcoSystem/3-Wire L3D Driver		L - Linear filter
		31L - 3105 lm			EEI ² - eldoLED Eco 1% Dim (0-10V)		
		34L - 3475 lm			EDIO ^{2,3} - eldoLED Solo 0.1% Dim (0-10V)		
		40L - 4030 lm			EDID ^{2,3} - eldoLED Solo 0.1% Dim (DALI)		

Housing Type	Millwork Collar Finish	Aperture	Options
WW8177 - Woodwork No.8177	B ⁴ - Black BZ - Bronze MTO - Made to order	RLD - Round Flangeless Downlight	ERB ² - Emergency battery with remote switch (800 Lumens)

TRIM ORDERING INFORMATION

Aperture Size / Shape / Trim Type / Style	Bevel / Flange Finish
4RLO - 4" Round Flangeless Open	W-W - White bevel / white flange H-W - Haze bevel / white flange B-B - Black bevel / black flange H-H - Haze bevel / Haze flange S-S - Specular clear bevel / Specular clear flange S-W - Specular clear bevel / white flange WE-WE - Wheat bevel / wheat flange MTO - Made to order

- Notes
1. Intelligent Drive is the standard driver.
 2. Ceiling access required.
 3. Must specify logarithmic or inear eldoLED diver.
 4. Standard

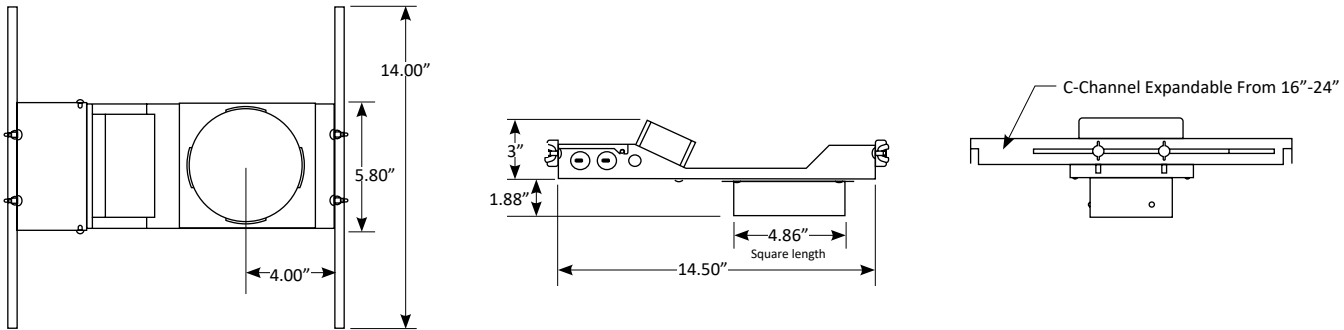
4" PRIME ARCHITECTURAL ROUND DOWNLIGHT COMPATIBLE WITH ARMSTRONG®
WOODWORKS® LINEAR SOLID WOOD PANELS 5-1/4" WIDE PLANKS

LUMEN CHART

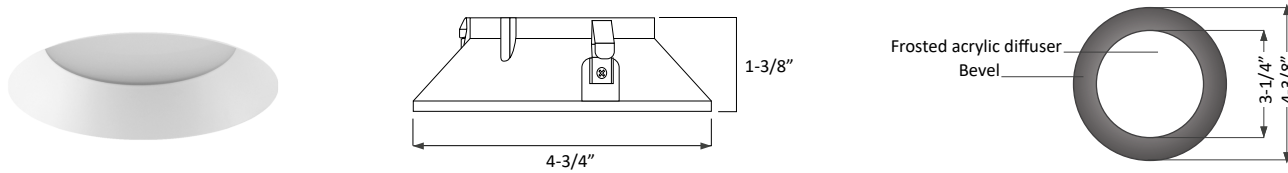
Wattage	Delivered Lumens	Voltage	CRI
11W	1055 lm	120 - 277V	93+
16W	1250 lm	120 - 277V	93+
20W	1645 lm	120 - 277V	93+
30W	2170 lm	120 - 277V	93+
31W	2495 lm	120 - 277V	93+
38W	3105 lm	120 - 277V	93+
45W	3473 lm	120 - 277V	93+
58W	4030 lm	120 - 277V	93+

*Above chart, ordering information, and IES File name reflect delivered lumens based 3000K and 30° optical lens.
**Lumens will vary based on CCT, optical lens, and bevel finish.

HOUSING DIMENSION



TRIM DIMENSION



LED HOLDER & FILTER DIMENSION

