



# CR High Power

## CREE LED

The CR High Power emphasizes efficiency and economy and boasts the highest lumens per watt rating of any Times Square Lighting fixture to date. It is designed for a short to medium throw applications. The CR can be fitted with up to three accessories, including barn doors, louvers and lenses. This versatile fixture is available with a wide variety of mounting and dimming options, allowing for a huge range of customization possibilities.

The CR is available in standard black, white, or silver finishes. Custom colors are available upon request.



5 Holt Drive,  
Stony Point, NY 10980  
845-947-3034  
info@tslight.com

Manufactured in the USA - IBEW



### Electrical

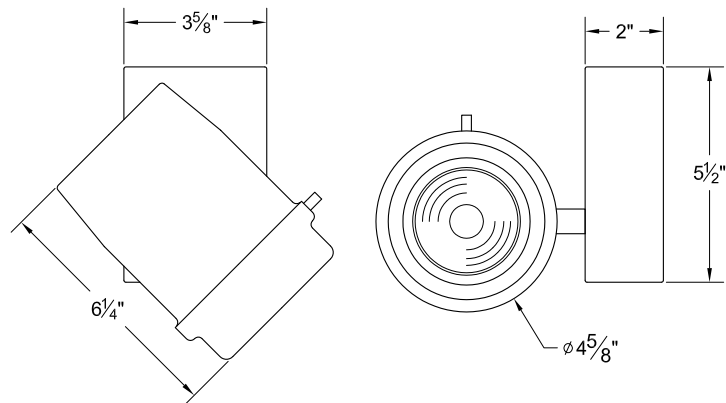
- Integral electronic driver
- 100-277V, 50/60Hz
- Meets FCC 47 CFR Part 15/18 Requirements

### Construction

- Steel & aluminum housing with black, white or silver finish
- 0-180° tilt, 360° rotation
- Accepts up to 3 accessories
- Weight: 3 lbs.

### Dimming

- Trailing edge (ELV): 120V / 277V
- Leading edge (Triac): 120V / 277V
- 0-10V: 120V only (ControlTrac), 120-277V otherwise
- IP (Integral Pot) dimming available



### LED

- Cree XLamp LED array
- Color temp options: 2700K, 3000K, 3500K, 4000K, 5000K, 5700K, 6500K
- CRI: 80 standard or 92 optional
- Lumen maintenance: 90% of initial lumen output at 33,000 hours on LM-80 testing
- No UV or IR

Model	CRI	Total Wattage	Delivered Lumens	Efficacy (Lm/W)
CR42	92	40	4200	105
CR46	92	45	4600	102
CR48	80	40	4800	120
CR52	92	55	5200	95
CR53	80	45	5300	118
CR60	80	55	6000	109
CR62	92	60	6200	103
CR70	80	60	7000	116

\* Total wattage equals LED plus driver. Delivered lumen may vary depending on LED module, color temperature, optics, and accessories. Testing done with 3000K LED array.

### Ordering Matrix

Model	Lumens	CRI	Color Temp	Finish	Voltage	Optics	Mounting	Dimming †	Accessories
CR	42=4200*	80	27 = 2700K	B = Black	100 <sup>††</sup>	10 = 10°	See Mounting Options	TE = Trailing Edge*** LE = Leading Edge*** 010 = 0-10V ND = Non-Dimming IP = Integral Dimmer***	See Accessory Options
	46=4600*		92	30 = 3000K	W = White	120			
	48=4800**		35 = 3500K	S = Silver	240	40 = 40°			
	52=5200*		40 = 4000K	CC = Custom Color	277	60 = 60°			
	53=5300**		50 = 5000K						
	60=6000**		57 = 5700K**						
	62=6200*		65 = 6500K**						
	70=7000**								

Maximum ambient temperature: 35°C  
Maximum operating angle: 45° from vertical

\* 92 CRI Only \*\* 80 CRI Only  
\*\*\* 277V TE, LE and IP Dimming available on 4800 & 6000 lumen, 80 CRI and 4200 & 5200 lumen, 92 CRI only, 120V LE and TE dimming not available on 6200 lumen, 92 CRI or 7000 lumen, 80 CRI.

† See "Notes on Dimming" on reverse  
†† Non-dim or 0-10V dimming only

**Example:** CR48-80-27-B-120-20-ADI-TE-LV3

CR \_\_\_\_\_ - \_\_\_\_\_ - \_\_\_\_\_ - \_\_\_\_\_ - \_\_\_\_\_ - \_\_\_\_\_ - \_\_\_\_\_ - \_\_\_\_\_

## Photometric Data

Distance	20° Spot Reflector Beam Spread	Footcandles							
		CR42	CR46	CR48	CR52	CR53	CR60	CR62	CR70
5'	1.7'	667	722	762	824	838	948	989	1112
10'	3.5'	167	181	191	206	93	105	110	123
15'	5.3'	74	80	84	92	93	105	110	123
20'	7.1'	41	45	48	52	52	59	62	69
25'	8.8'	26	29	31	33	34	38	40	44
30'	10.6'	18	20	21	23	23	26	28	31

Distance	40° Medium Flood Reflector Beam Spread	Footcandles							
		CR42	CR46	CR48	CR52	CR53	CR60	CR62	CR70
5'	3.6'	341	373	389	422	430	482	508	567
10'	7.3'	85	93	47	106	108	121	127	142
15'	10.9'	37	41	43	47	49	53	56	63
20'	14.6'	21	23	24	26	27	30	32	35
25'	18.2'	14	15	16	17	17	19	20	23
30'	22.2'	9	10	11	12	12	13	13	16

Distance	60° Flood Reflector Beam Spread	Footcandles							
		CR42	CR46	CR48	CR52	CR53	CR60	CR62	CR70
5'	5.7'	199	218	229	246	251	285	294	333
10'	11.6'	50	55	57	62	63	71	74	83
15'	17.3'	22	24	25	27	28	31	33	37
20'	23.1'	12	13	14	15	16	18	18	21
25'	28.9'	8	9	9	10	10	11	11	13
30'	35.2'	5	6	6	6	7	8	8	9

## Mounting Options

**T1** Track Adapter for commercial grade 1 & 2 circuit track. 120V. For use with larger, heavier fixtures.

**TA1** Track adapter for E-Series specification grade track. 1 circuit. 120V.

**TA2** Track adapter for G-Series specification grade 2-circuit track. 120V.

**HTA2** Track adapter for G-Series specification grade 2-circuit track. 277V.

**HSTA** Circuit track adapter for Data Bus. Specification grade e-series track. 277V.

**STA** 2 circuit track adapter for Data Bus. Specification grade track. 120V.

**TA3** Track adapter for G-Series specification grade 3-circuit track. 120V.

**CM4** Canopy Mount

**US1** 6 $\frac{5}{8}$ " x 1 $\frac{1}{2}$ " Unitrut Adapter

**TB8** 8" x 8" Portable table base for floor and table use

**MC** Light duty pipe clamp for small fixtures. For pipes up to 1 $\frac{5}{16}$ " O.D.

**MN** Medium duty pipe clamp for small to large fixtures. For pipes up to 2" O.D.

**PC9M** Heavy duty pipe clamp for large, heavy fixtures. For pipes up to 2" O.D.

## Accessories

<b>LV6</b>	Louver
<b>XL6</b>	Cross Baffle Louver
<b>BD10</b>	Barndoor
<b>HD6</b>	Hood
<b>XH6</b>	Cross Baffle Hood
<b>X00517 *</b>	Glass/Dichroic Holder
<b>GF22</b>	Glass Color Filter
<b>DF22</b>	Dichroic Color Filter
<b>GF22-600</b>	5°x50° Linear Lens
<b>GF22-601</b>	Beam Softener
<b>GF22-673</b>	50°x50° Spread Lens
<b>CC18</b>	Coiled Cord
<b>SC-24</b>	Safety Cable

\* Required accessory when using glass or dichroic filters

## Extension Wands

<b>SP 12</b>	12" Stem
<b>SP 18</b>	18" Stem
<b>SP 24</b>	24" Stem
<b>SP X</b>	Custom Length

\* For notes on dimming, please [click here](#).