

REC4S

4" Economy Series

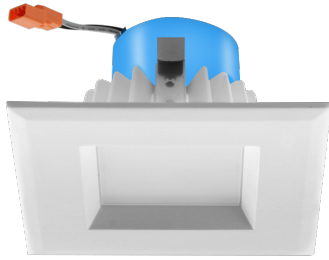
1000 Lumens

PROJECT:

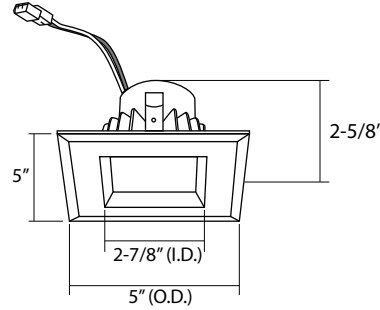
MODEL #:

LOCATION:

CONTACT:



DIMENSIONS



ALL-IN-ONE
COLOR TEMPERATURE
SELECTABLE
2700K 3000K 3500K 4000K 5000K



4" BUILDER PLUS

USE OF PRODUCT

The REC4S is a 4" Square LED Retrofit kit. It is compatible with most 4" recessed standard housings. Ideal for both remodel or new construction applications. The retrofit kit comes with a disconnect screw-in base lead for easy installation into standard incandescent sockets.

REC4 FEATURES

- Lumens: 1000 Lumens
- Input Power: 14W
- Frequency: 50/60Hz
- Voltage: 120V
- Color Temperature Selectable: 2700K, 3000K, 3500K, 4000K, 5000K,
- CRI: 90+
- Finish: White
- Trim: Square
- Wet Location Listed

LED ENGINE

LED engine available in 2700K, 3000K, 3500K, 4000K and 5000K in 90+ CRI. Color temperature may be modified in field.

REC CONSTRUCTION

White painted Diecast body is appropriate for heat dissipation.

ELECTRICAL CONNECTION

Optional edison screw base for easy retrofit of incandescent housing. GU24 socket adaptor available for retrofit applications sold separately.

DIMMING

The REC Series is compatible with most industry standard dimmers. Dimming to 5% with most dimmers(at 120V only)

MOUNTING

3 Tension Clips pre-installed on unite for easy installation.

LABELS/COMPLIANCE

- cULus Listed for wet location listed
- Energy star qualified
- Title 24 & JA8 compliant
- Tested in accordance with IESNA LM79 & LM80

ORDERING INFO

Series	Lumens	Color Temperature	Finish
REC4S - 4" Economy Square	10L - 1000Lumens	SCTS - Color Temperature Selectable (2700K, 3000K, 3500K, 4000K, 5000K)	W - White