

PRIME

PRIME 4" LED ARCHITECTURAL ROUND FLANGELESS ADJUSTABLE

JOB INFORMATION	TYPE:
	CATALOG NO.
	PROJECT NAME:
	COMMENTS:
	PREPARED BY:

USE OF PRODUCT

The 4" Prime Adjustable Series Downlight is the ideal product for architectural energy efficient lighting in commercial and residential applications where adjustability is required. Available in an assortment of color temperatures, optics, lumen outputs, and dimmable driver options.

PRIME FEATURES

Color Temperature: 2700K, 3000K, 3500K, or 4000K
SDCM: 2 step binning
Color Rendering Index: 93+ CRI
Optical Lens: 18°, 30°, 50°, 80°
Trim: Die cast or anodized
LED Life: 50,000 Hours
LED Type: Cree LED
Driver Info: 120-277V, 50/60 Hz, PF>0.9, THD<0.20
Warranty: 5 year limited warranty

LED ENGINE

LED engine available with CREE LEDs in 2700K, 3000K, 3500K, or 4000K in standard 93+ CRI. 2 Step MacAdam ellipse allows for color consistency between fixtures. LED mounted to aluminum heat sink for maximum life output and thermal management. Light engine provides a quick disconnect with locking strain relief to housing.

FRAME CONSTRUCTION

Constructed from 16 gauge heavy duty powder coated cold rolled steel frame with a large access junction box.

ADJUSTMENT

- Light engine allows for hot aiming from 0-35°.
- Housing provides for 360° locking rotation
- Aperture collar adjusts 15° +/- horizontally within frame for square ceiling alignment
- Collar notch allows for easy alignment for square applications.
- Aperture collar compatible up to 1 1/2" ceiling thickness.
- Accommodation for 2" or 3" ceiling thickness available upon request.

OPTICS

Field replaceable optical lens available in 18°, 30°, 50°, and 80°. Easily achieve narrow spot to wide flood beam pattern. Option for frosted, honeycomb, or solite filter (2 maximum).

DIMMING

Available in 8 driver selections. **(ID)** Standard all-inclusive ELV, Triac, and 0-10V dimming driver called Intelligent Drive, 120-277V. **(PEQ0)** Lutron Hi-Lume Premier Ecosystem 0.1% w/soft on, fade to black dimming, 120-277V. **(LDE1)** Lutron Hi-Lume 1% Ecosystem with soft on, fade to black dimming, 120-277V. **(LTE)** Lutron Hi-Lume 1% 2-wire, 120V. **(L3DA)** Hi-lume 1% EcoSystem/3-Wire L3D Driver **(EEI)** eldoLED Eco 1% Dim (0-10V), 120-277V. **(EDIO)** eldoLED Solo 0.1% Dim(0-10V), 120-277V. **(EDID)** eldoLED Solo 0.1% Dim(DALI), 120-277V.

THERMAL MANAGEMENT

Ambient temperatures at fixture location should not exceed -20° to 40°C.

EMERGENCY BATTERY

Optional emergency battery available for a minimum of 90 minutes with both integral or remote test switch in 800 or 1700 delivered lumens.

TRIM OPTIONS

- All trims are self flanged die cast or anodized.
- Trim includes standard frosted acrylic diffuser.
- 12% lumens increase if remote standard frosted acrylic diffuser in field.
- Optical Enhancer reflects light evenly across the diffusion lens.
- Trims available in round or square in an assortment of standard or made to order finishes.

LABELS/COMPLIANCE/WARRANTY

- CSA Listed for US and Canada
- Energy Star
- Dry/Damp/Wet location rated.
- Title 24, JA8 Compliant
- 5 Year limited warranty



HOUSING ORDERING INFORMATION

Series	Lumens	Color Temp	Voltage	Dimming	Optical Lens ⁹	Filter
PRIME	10L ¹ - 1055 lm	27 - 2700K	UNV - 120-277V	ID ³ - Standard all-inclusive ELV, Triac, and 0-10V dimming driver (Intelligent Drive)	18 - 18°	None - Leave blank
SERIES	12L ¹ - 1250 lm	30 - 3000K	120 - 120V	PEQ0 ⁴ - Lutron Hi-Lume Premier Ecosystem 0.1% w/soft on, fade to black dimming	30 - 30°	F - Frosted filter
	16L ¹ - 1645 lm	35 - 3500K	347 ⁵ - 347V	LDE1 ⁴ - Lutron Hi-Lume 1% Ecosystem with soft on, fade to black dimming	50 - 50°	H - Honey comb
	21L ¹ - 2170 lm	40 - 4000K		LTE ⁶ - Lutron Hi-Lume 1% 2-wire	80 - 80°	S - Solite filter
	25L ¹ - 2495 lm			L3DA - Hi-lume 1% EcoSystem/3-Wire L3D Driver		
	31L - 3105 lm			EEI ^{6,7,8} - eldoLED Eco 1% Dim (0-10V)		
	34L - 3475 lm			EDIO ^{6,7,8} - eldoLED Solo 0.1% Dim (0-10V)		
	40L - 4030 lm			EDID ^{6,7,8} - eldoLED Solo 0.1% Dim (DALI)		

Housing Type	Aperture	Frame Accessories	Collar	Option
NC - Non-IC New Construction IC ¹⁰ - IC New Construction	RLAP - Round Flangeless Adjustable Plaster RLAM - Round Flangeless Adjustable Millwork	C - C Channel bar hanger B - Flat bar hanger WJ - Wood Joist	Blank - 1.5" Depth 20 - 2" Depth 30 - 3" Depth MTO - Made to order	EI8 - Emergency battery with integral switch(800 Lumens) ER8 - Emergency battery with remote switch (800 Lumens) EI17 - Emergency battery with integral switch(1700 Lumens) ER17 - Emergency battery with remote switch (1700 Lumens) FCJS-E - Vive wireless individual controller(Ecosystem) FCJS-0 - Vive wireless individual controller(0-10) CP ¹⁰ - Chicago Plenum

TRIM ORDERING INFORMATION

Aperture Size / Shape / Trim Type / Style	Bevel Finish	Options
4RLO - 4" Round Flangeless Open 4RLA - 4" Round Flangeless Accent	W - White B - Black H - Haze S - Specular Clear WE - Wheat MTO - Made to order	WL - Wet location

1. Compatible with IC new construction housing.
2. Step down transformer required.
3. Intelligent Drive is the standard driver.
4. Driver must not exceed 1645 lm
5. 120V only.
6. Inapplicable to 4030 Lumen offering.
7. Must specify logarithmic or linear eldoLED diver.
8. Confirm dimming curve: linear or logarithmic.
9. Without standard frosted acrylic diffuser.
10. Compatible up to 2170 lumens.

PRIME

PRIME 4" LED ARCHITECTURAL
ROUND FLANGELESS ADJUSTABLE

JOB INFORMATION	TYPE:
	CATALOG NO.:
	PROJECT NAME:
	COMMENTS:
	PREPARED BY:

4" PRIME ADJUSTABLE

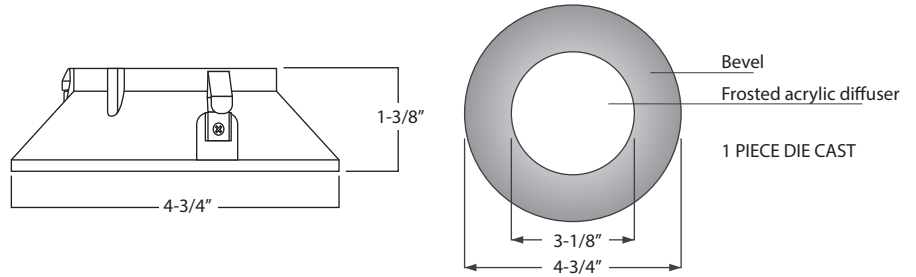
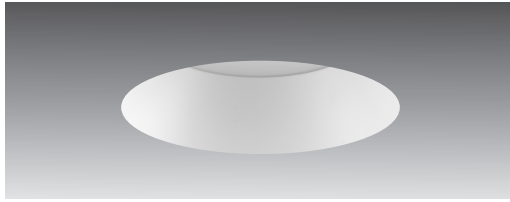
LUMEN CHART

Wattage	Delivered Lumens	Voltage	CRI
11W	1055 Lm	120-277V	93+
16W	1250 Lm	120-277V	93+
20W	1645 Lm	120-277V	93+
30W	2170 Lm	120-277V	93+
31W	2495 Lm	120-277V	93+
38W	3105 Lm	120-277V	93+
45W	3475 Lm	120-277V	93+
58W	4030 Lm	120-277V	93+

*Above chart, ordering information, and IES File name reflect delivered lumens based 3000K and 30° optical lens.
**Lumens will vary based on CCT, optical lens, and bevel finish.

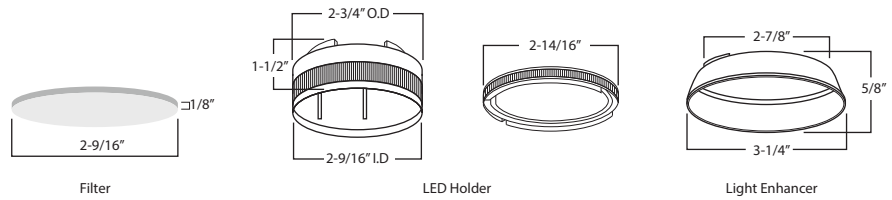
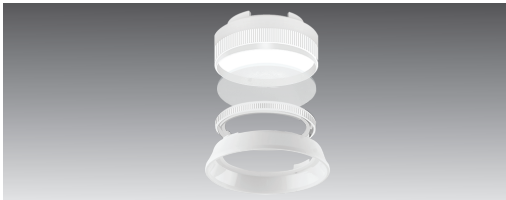
TRIM DIMENSION

Trim Details



LED HOLDER & FILTER DIMENSION

LED Holder and Filter



PRIME

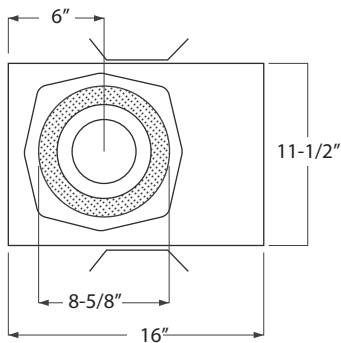
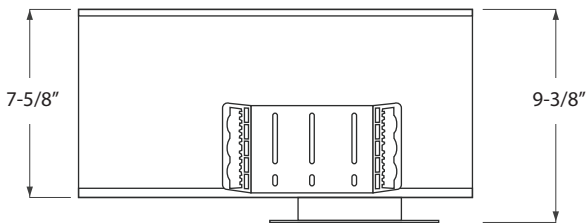
PRIME 4" LED ARCHITECTURAL
ROUND FLANGELESS ADJUSTABLE

JOB INFORMATION	TYPE:
	CATALOG NO.:
	PROJECT NAME:
	COMMENTS:
	PREPARED BY:

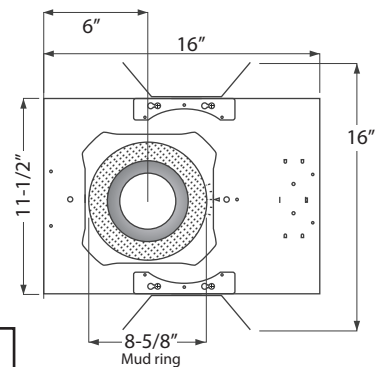
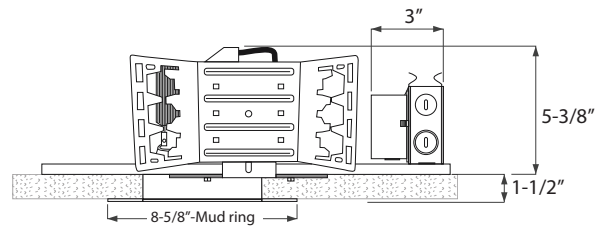
4" PRIME ADJUSTABLE

HOUSING DIMENSION

IC Housing Details

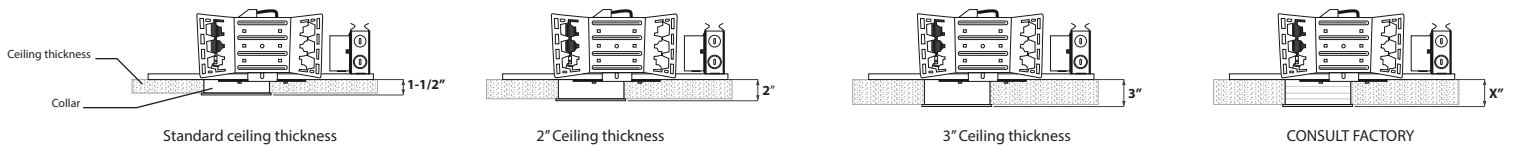


Non-IC Housing Details



Ceiling Cut-out: 5-3/16"
Maximum Ceiling Thickness: 1-1/2"
Minimum Ceiling Thickness: 1/2"
Consult factory for custom ceiling thickness

COLLAR DEPTH PER CEILING THICKNESS



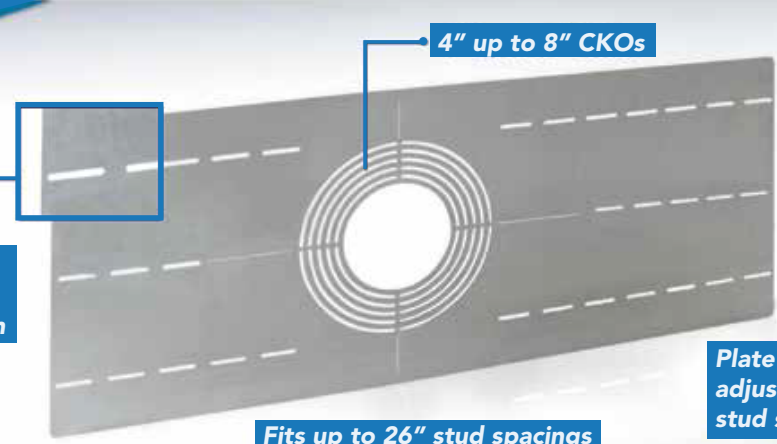
PRIME

PRIME 4" LED ARCHITECTURAL
ROUND FLANGELESS ADJUSTABLE

4" PRIME ADJUSTABLE

FRAME ACCESSORIES

WJ



4" up to 8" CKOs

Slotted Holes allow for an easier installation

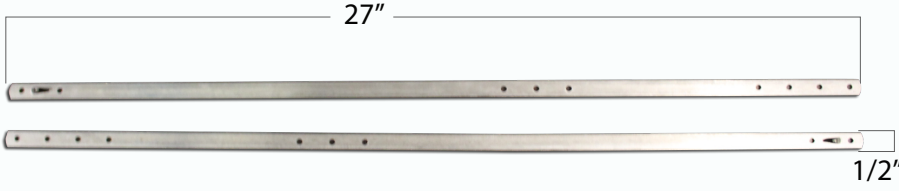
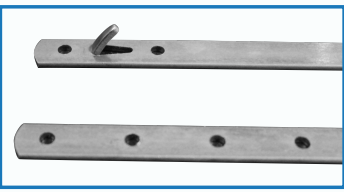
Wood Joist

Fits up to 26" stud spacings

Plate is offset, allowing for adjustability with irregular stud spacing

This image shows a rectangular metal plate with a central circular hole and several horizontal slots. A callout points to the top edge, indicating it fits 4" up to 8" CKOs. Another callout points to the slots, stating they allow for easier installation. The plate is labeled as fitting up to 26" stud spacings and being offset for irregular stud spacing.

B




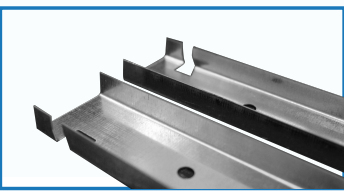
27"

1/2"

Flat Bar Hanger

This image shows two views of a flat bar hanger. On the left, a close-up shows the hanger with a hook. On the right, a full-length view shows the hanger with a length of 27" and a thickness of 1/2".

C



25-3/16"

1-6/16"

C Channel Bar Hanger

This image shows two views of a C channel bar hanger. On the left, a close-up shows the hanger's profile. On the right, a full-length view shows the hanger with a length of 25-3/16" and a height of 1-6/16".

PRIME

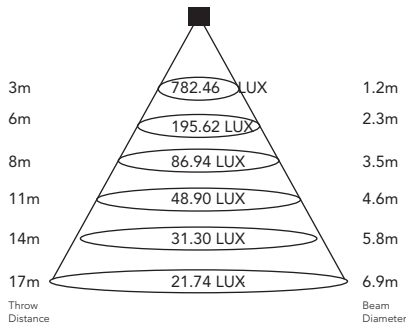
PRIME 4" LED ARCHITECTURAL
ROUND FLANGELESS ADJUSTABLE

AT-A-GLANCE TECHNICAL INFORMATION

4" PRIME ADJUSTABLE

RPA - 9L 30° BEAM

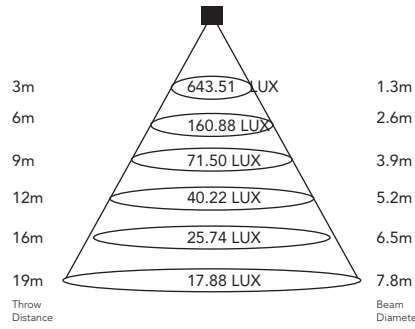
TEST DATE	2017-10-11
SERIES	RPA4-9L-30K-30°-RLA
LUMENS	931.9 LM
WATTS	11.69 W
CCT	3000K



Zone	Lumens	%Lamp	%Luminaire
0-30	462.7	49.7%	49.7%
0-40	656.9	70.5%	70.5%
0-60	878.1	94.2%	94.3%
60-90	53.2	5.7%	5.7%
0-90	931.3	99.9%	100%

RPA - 9L 50° BEAM

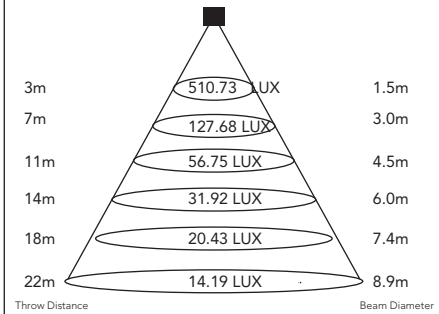
TEST DATE	2017-10-11
SERIES	RPA4-9L-30K-50°-RLA
LUMENS	861.2 LM
WATTS	11.69 W
CCT	3000K



Zone	Lumens	%Lamp	%Luminaire
0-30	406.6	47.2%	47.2%
0-40	590.1	68.5%	68.6%
0-60	805.7	93.5%	93.7%
60-90	54.4	6.3%	6.3%
0-90	860.1	99.9%	100%

RPA - 9L 80° BEAM

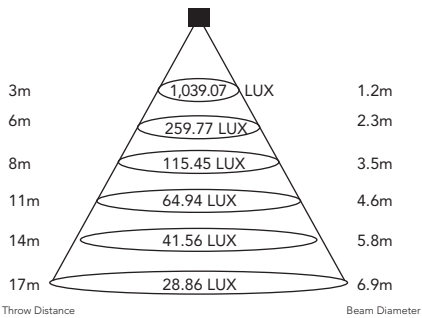
TEST DATE	2017-10-11
SERIES	RPA4-9L-30K-80°-RLA
LUMENS	782.1 LM
WATTS	11.69 W
CCT	3000K



Zone	Lumens	%Lamp	%Luminaire
0-30	347.0	44.4%	44.4%
0-40	516.1	66%	66.1%
0-60	723.1	92.4%	92.6%
60-90	57.9	7.4%	7.4%
0-90	781.1	99.9%	100%

RPA - 12L 30° BEAM

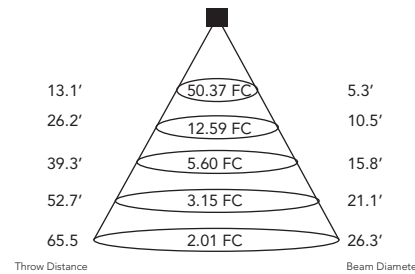
TEST DATE	2017-10-11
SERIES	RPA4-12L-30K-30°-RLA
LUMENS	1250 LM
WATTS	16.01 W
CCT	3000K



Zone	Lumens	%Lamp	%Luminaire
0-30	622.0	49.8%	49.8%
0-40	885.0	70.8%	70.8%
0-60	1,181.0	94.5%	94.5%
60-90	68.4	5.5%	5.5%
0-90	1,249.4	99.9%	100%

RPA - 12L 50° BEAM

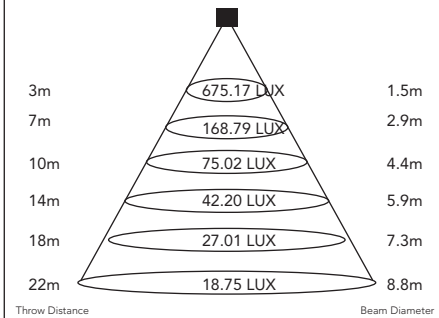
TEST DATE	2017-10-11
SERIES	RPA4-12L-30K-50°-RLA
LUMENS	1096 LM
WATTS	16.01 W
CCT	3000K



Zone	Lumens	%Lamp	%Luminaire
0-30	515.3	47%	47%
0-40	750.3	68.4%	68.4%
0-60	1,027.6	93.7%	93.7%
60-90	68.7	6.3%	6.3%
0-90	1,096.3	99.9%	100%

RPA - 12L 80° BEAM

TEST DATE	2017-10-11
SERIES	RPA4-12L-30K-80°-RLA
LUMENS	1019 LM
WATTS	16.1 W
CCT	3000K



Zone	Lumens	%Lamp	%Luminaire
0-30	456.9	44.8%	44.8%
0-40	678.5	66.5%	66.6%
0-60	946.1	92.8%	92.8%
60-90	73.4	7.2%	7.2%
0-90	1,019.5	100%	100%

[CLICK HERE OR VISIT PRODUCT PAGE FOR COMPREHENSIVE TECHNICAL INFORMATION](#)

PRIME

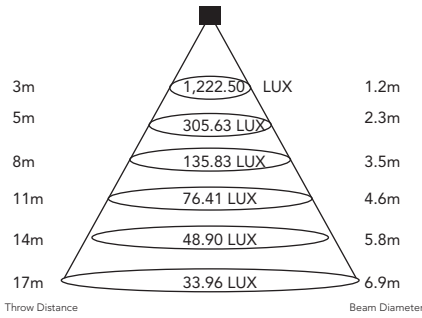
PRIME 4" LED ARCHITECTURAL
ROUND FLANGELESS ADJUSTABLE

4" PRIME ADJUSTABLE

AT-A-GLANCE TECHNICAL INFORMATION

RPA - 14L 30° BEAM

TEST DATE	2017-10-11
SERIES	RPA4-14L-30K-30°-RLA
LUMENS	1451.8 LM
WATTS	20.3 W
CCT	3000K

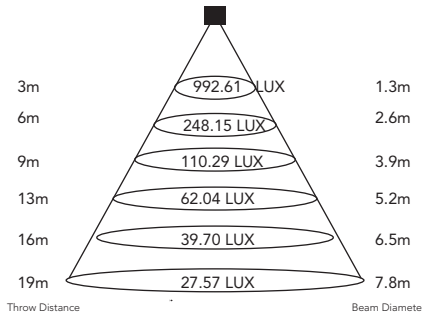


Zone	Lumens	%Lamp	%Luminaire
0-30	722.3	49.8%	49.8%
0-40	1,025.4	70.6%	70.7%
0-60	1,369.0	94.3%	94.4%
60-90	81.9	5.6%	5.6%
0-90	1,450.8	99.9%	100%

Zone Lumen Summary

RPA - 14L 50° BEAM

TEST DATE	2017-10-11
SERIES	RPA4-14L-30K-50°-RLA
LUMENS	1332.6 LM
WATTS	20.3 W
CCT	3000K

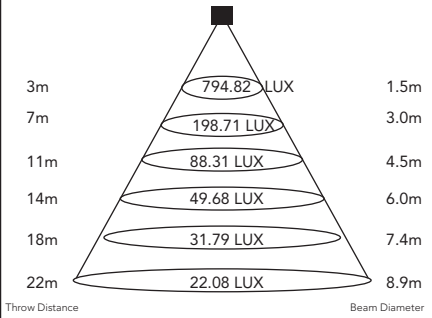


Zone	Lumens	%Lamp	%Luminaire
0-30	629.3	47.2%	47.2%
0-40	913.8	68.6%	68.6%
0-60	1,247.9	93.6%	93.7%
60-90	84.2	6.3%	6.3%
0-90	1,322.1	100%	100%

Zone Lumen Summary

RPA - 14L 80° BEAM

TEST DATE	2017-10-11
SERIES	RPA4-14L-30K-80°-RLA
LUMENS	1217.5 LM
WATTS	20.3 W
CCT	3000K

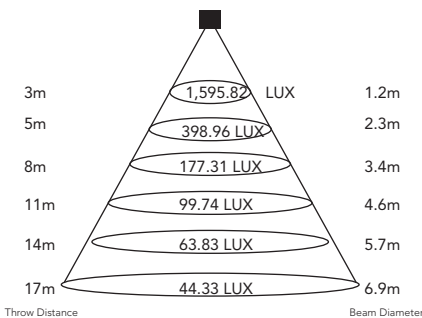


Zone	Lumens	%Lamp	%Luminaire
0-30	540.0	44.3%	44.4%
0-40	803.3	66%	66.1%
0-60	1,125.5	92.4%	92.6%
60-90	90.2	7.4%	7.4%
0-90	1,215.8	99.9%	100%

Zone Lumen Summary

RPA - 18L 30° BEAM

TEST DATE	2017-10-11
SERIES	RPA4-18L-30K-30°-RLA
LUMENS	1895.3 LM
WATTS	30.2 W
CCT	3000K

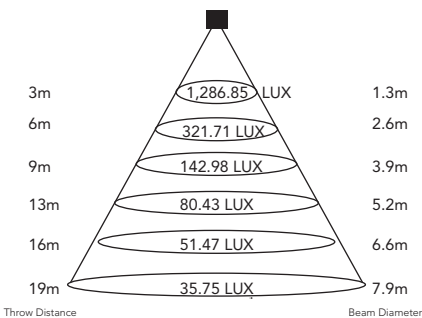


Zone	Lumens	%Lamp	%Luminaire
0-30	943.7	49.8%	49.8%
0-40	1,339.5	70.7%	70.7%
0-60	1,787.9	94.3%	94.4%
60-90	106.7	5.6%	5.6%
0-90	1,894.6	100%	100%

Zone Lumen Summary

RPA - 18L 50° BEAM

TEST DATE	2017-10-11
SERIES	RPA4-18L-30K-50°-RLA
LUMENS	1733.2 LM
WATTS	30.2 W
CCT	3000K

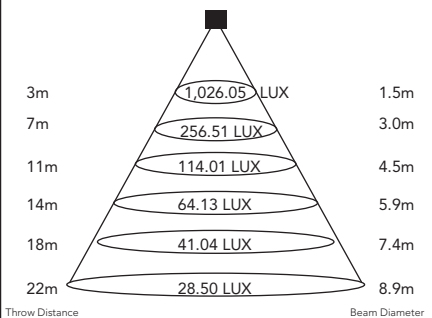


Zone	Lumens	%Lamp	%Luminaire
0-30	815.6	47.1%	47.1%
0-40	1,185.3	68.4%	68.5%
0-60	1,620.9	93.5%	93.7%
60-90	109.8	6.3%	6.3%
0-90	1,730.7	99.9%	100%

Zone Lumen Summary

RPA - 18L 80° BEAM

TEST DATE	2017-10-11
SERIES	RPA4-18L-30K-80°-RLA
LUMENS	1568 LM
WATTS	30.2 W
CCT	3000K



Zone	Lumens	%Lamp	%Luminaire
0-30	697.2	44.5%	44.5%
0-40	1,036.9	66.1%	66.2%
0-60	1,451.5	92.6%	92.6%
60-90	115.9	7.4%	7.4%
0-90	1,567.4	100%	100%

Zone Lumen Summary

[CLICK HERE OR VISIT PRODUCT PAGE FOR COMPREHENSIVE TECHNICAL INFORMATION](#)

PRIME

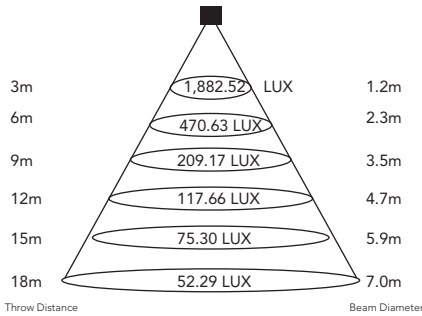
PRIME 4" LED ARCHITECTURAL
ROUND FLANGELESS ADJUSTABLE

AT-A-GLANCE TECHNICAL INFORMATION

4" PRIME ADJUSTABLE

RPA - 23L 30° BEAM

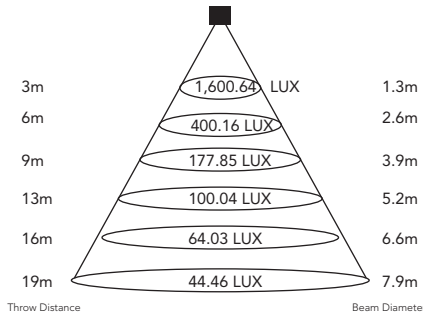
TEST DATE	2017-10-11
SERIES	RPA4-23L-30K-30°-RLA
LUMENS	2302 LM
WATTS	29.6 W
CCT	3000K



Zone	Lumens	%Lamp	%Luminaire
0-30	1,132.2	49.2%	49.2%
0-40	1,615.8	70.2%	70.2%
0-60	2,166.7	94.1%	94.2%
60-90	134.6	5.8%	5.8%
0-90	2,301.3	100%	100%

RPA - 23L 50° BEAM

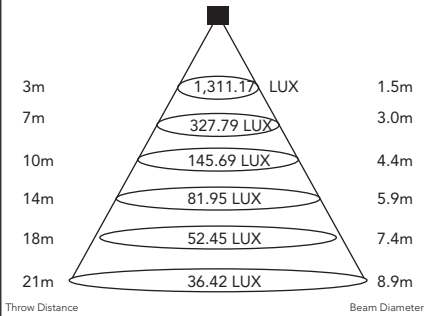
TEST DATE	2017-10-11
SERIES	RPA4-23L-30K-50°-RLA
LUMENS	2175 LM
WATTS	29.6 W
CCT	3000K



Zone	Lumens	%Lamp	%Luminaire
0-30	1,020.6	46.9%	46.9%
0-40	1,486.0	68.3%	68.3%
0-60	2,035.2	93.5%	93.5%
60-90	139.6	6.4%	6.4%
0-90	2,174.8	100%	100%

RPA - 23L 80° BEAM

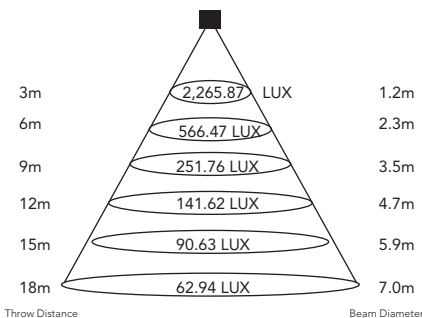
TEST DATE	2017-10-11
SERIES	RPA4-23L-30K-80°-RLA
LUMENS	2001 LM
WATTS	29.6 W
CCT	3000K



Zone	Lumens	%Lamp	%Luminaire
0-30	889.7	44.4%	44.5%
0-40	1,323.1	66.1%	66.1%
0-60	1,853.0	92.6%	92.6%
60-90	148.0	7.4%	7.4%
0-90	1,215.8	100%	100%

RPA - 27L 30° BEAM

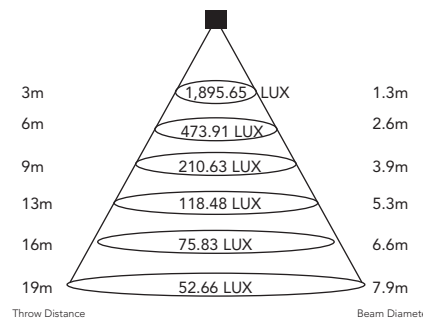
TEST DATE	2017-10-11
SERIES	RPA4-27L-30K-30°-RLA
LUMENS	2770 LM
WATTS	37.7 W
CCT	3000K



Zone	Lumens	%Lamp	%Luminaire
0-30	1,361.8	49.2%	49.2%
0-40	1,943.7	70.2%	70.2%
0-60	2,607.3	94.1%	94.1%
60-90	162.1	5.9%	5.9%
0-90	2,769.4	100%	100%

RPA - 27L 50° BEAM

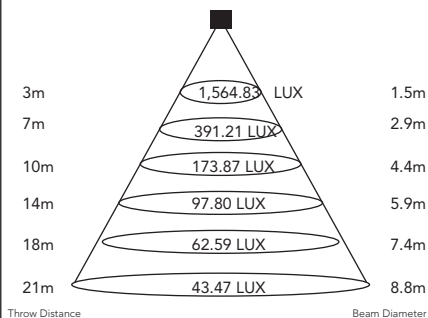
TEST DATE	2017-10-11
SERIES	RPA4-27L-30K-50°-RLA
LUMENS	2582 LM
WATTS	37.6 W
CCT	3000K



Zone	Lumens	%Lamp	%Luminaire
0-30	1,211.0	46.9%	46.9%
0-40	1,763.4	68.3%	68.3%
0-60	2,415.3	93.5%	93.6%
60-90	165.6	6.4%	6.4%
0-90	2,580.9	99.9%	100%

RPA - 27L 80° BEAM

TEST DATE	2017-10-11
SERIES	RPA4-27L-30K-80°-RLA
LUMENS	2385 LM
WATTS	37.6 W
CCT	3000K



Zone	Lumens	%Lamp	%Luminaire
0-30	1,061.6	44.5%	44.5%
0-40	1,578.0	66.2%	66.2%
0-60	2,208.0	92.6%	92.6%
60-90	175.8	7.4%	7.4%
0-90	2,383.8	100%	100%

[CLICK HERE OR VISIT PRODUCT PAGE FOR COMPREHENSIVE TECHNICAL INFORMATION](#)

PRIME

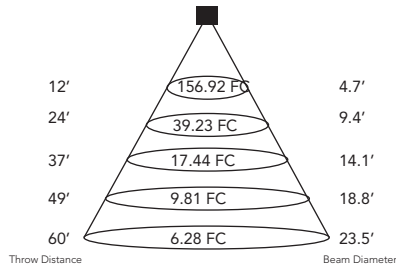
PRIME 4" LED ARCHITECTURAL
ROUND FLANGELESS ADJUSTABLE

4" PRIME ADJUSTABLE

AT-A-GLANCE TECHNICAL INFORMATION

RPA - 30L 30° BEAM

TEST DATE	2017-10-11
SERIES	RPA4-30L-30K-30°-RLA
LUMENS	3067 LM
WATTS	45.5 W
CCT	3000K

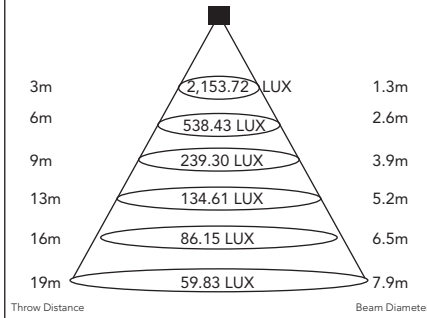


Zone	Lumens	%Lamp	%Luminaire
0-30	1,508.7	49.2%	49.2%
0-40	2,152.8	70.2%	70.2%
0-60	2,886.6	94.1%	94.2%
60-90	178.9	5.8%	5.8%
0-90	3,065.6	100%	100%

Zone Lumen Summary

RPA - 30L 50° BEAM

TEST DATE	2017-10-11
SERIES	RPA4-30L-30K-50°-RLA
LUMENS	2926 LM
WATTS	45.5 W
CCT	3000K

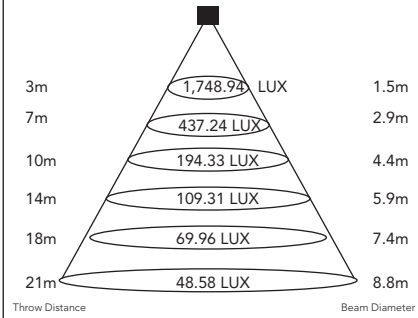


Zone	Lumens	%Lamp	%Luminaire
0-30	1,373.2	46.9%	46.9%
0-40	1,998.8	68.3%	68.3%
0-60	2,737.7	93.6%	93.6%
60-90	187.2	6.4%	6.4%
0-90	2,924.9	100%	100%

Zone Lumen Summary

RPA - 30L 80° BEAM

TEST DATE	2017-10-11
SERIES	RPA4-30L-30K-80°-RLA
LUMENS	2666 LM
WATTS	45.5 W
CCT	3000K

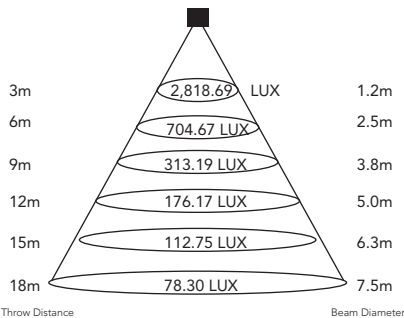


Zone	Lumens	%Lamp	%Luminaire
0-30	1,186.8	44.5%	44.5%
0-40	1,764.4	66.2%	66.2%
0-60	2,469.3	92.6%	92.6%
60-90	196.5	7.4%	7.4%
0-90	2,665.8	100%	100%

Zone Lumen Summary

RPA - 36L 30° BEAM

TEST DATE	2017-10-11
SERIES	RPA4-36L-30K-30°-RLA
LUMENS	3655 LM
WATTS	57.0 W
CCT	3000K

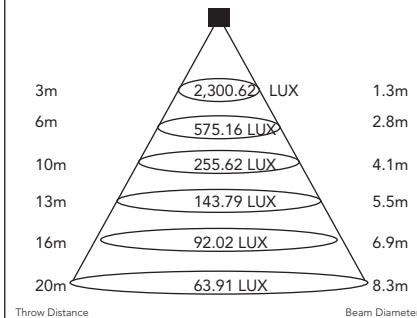


Zone	Lumens	%Lamp	%Luminaire
0-30	1,759.6	48.1%	48.2%
0-40	2,538.5	69.4%	69.5%
0-60	3,428.8	93.8%	93.8%
60-90	225.2	6.2%	6.2%
0-90	3,654.0	100%	100%

Zone Lumen Summary

RPA - 36L 50° BEAM

TEST DATE	2017-10-11
SERIES	RPA4-36L-30K-50°-RLA
LUMENS	3273 LM
WATTS	57.0 W
CCT	3000K

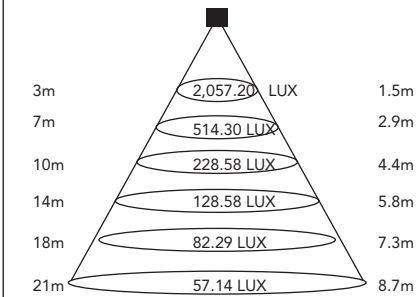


Zone	Lumens	%Lamp	%Luminaire
0-30	1,506.0	46.0%	46.0%
0-40	2,213.2	67.6%	67.6%
0-60	3,053.4	93.3%	93.3%
60-90	218.4	6.7%	6.7%
0-90	3,271.8	100%	100%

Zone Lumen Summary

RPA - 36L 80° BEAM

TEST DATE	2017-10-11
SERIES	RPA4-36L-30K-80°-RLA
LUMENS	3096 LM
WATTS	57.0 W
CCT	3000K



Zone	Lumens	%Lamp	%Luminaire
0-30	1,386.9	44.8%	44.8%
0-40	2,057.4	66.4%	66.5%
0-60	2,870.7	92.7%	92.7%
60-90	224.9	7.3%	7.3%
0-90	3,095.6	100%	100%

Zone Lumen Summary

[CLICK HERE OR VISIT PRODUCT PAGE FOR COMPREHENSIVE TECHNICAL INFORMATION](#)