



# RFL4-SL-16

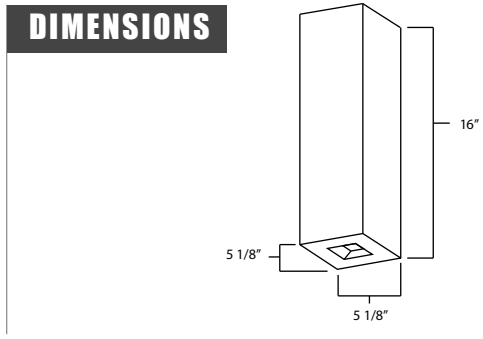
ARCHITECTURAL BI-DIRECTIONAL SQUARE LUMINAIRE

**PROJECT:** \_\_\_\_\_

**MODEL #:** \_\_\_\_\_

**LOCATION:** \_\_\_\_\_

**CONTACT:** \_\_\_\_\_



Architectural Square Luminaire

### USE OF PRODUCT

The Architectural Square Luminaire Series may be used in hospitality, commercial, retail, and residential applications. This product will reduce energy consumption, emits little heat, and reduces cooling loads for added costs savings. Approximately 75% in energy savings compared to incandescent light source

### HOUSING

Rugged aluminum housing.

### ARCHITECTURAL SQUARE LUMINAIRE FEATURES

- Wattage/Lumens/Voltage: 12 Watts/800Lumens/120V or 17 Watts/1100Lumens/120V/277V
- Color Temperature: 2700K, 3000K, 3500K, or 4000K
- SDCM: 2 Step binning
- Color Rendering Index: 93 CRI Typical
- Optics 85° both direction
- LED Life: 50,000 hours
- LED Type: Cree LED for maximum light output
- Versatility: Interchangeable baffle, reflector and trim ring
- Warranty: 5 Year Limited Warranty

### LED DRIVER

Durable 120 Volt dimmable driver provides high power factor with optimum thermal management to prevent damage caused by high temperature.

### DIMMING

The Architectural Square Luminaire Series is dimmable to 15% with standard 120 Volt electronic low voltage dimmers, various incandescent/magnetic low voltage dimmers, or to 5% with select dimmers.

### MOUNTING

The Architectural Square Luminaire Series may be cable hung

### MODULE MECHANICS

- The Architectural Square Luminaire Series is constructed of a durable heat sink, baffle or reflector, trim ring, diffused lens, and Cree LEDs for optimum performance.

- Carefully designed heat sink keeps junction temperatures below unsuitable levels by keeping heat away from the LEDs

- Polycarbonate impact-resistant lens.

- Diffused lens allows for even light output, glare control, and conceals LEDs from view.

### LABELS / COMPLIANCE

CSA classified  
CSA classified for damp locations

## ORDERING INFO

Series	Diameter	Shape	Length	Configuration	Up-Light Watts/Lumens	Up-Light Color Temp.	Down-Light Watts/Lumens	Down-Light CCT
RFL	4 - 5"	SL - Square Luminaire	16 - 16" MTO - Made to order	BD <sup>1</sup> - Bi-Direction	U8L - 12Watts/800 Lumens (120V) U11L - 17Watts/1100 Lumens (120V/277V)	U27 - 2700K U30 - 3000K U35 - 3500K U40 - 4000K	D8L - 12Watts/800 Lumens (120V) D11L - 17Watts/1100 Lumens (120V/277V)	D27 - 2700K D30 - 3000K D35 - 3500K D40 - 4000K

Baffle or Reflector	Trim	Finish	Mounting	Option
SBLW - White SBLB - Black	SRLSN - Satin Nickel STLW - White STLSN - Satin Nickel STLB - Black STLH - Haze STLBZ - Bronze	BL - Black WH - White SL - Silver MTO - Made to order	QC - Qaudeuple Cable	018 <sup>2</sup> - 0-10V (800 Lumens) 011 <sup>2</sup> - 0-10V (1100 Lumens) EM <sup>3</sup> - Emergency battery

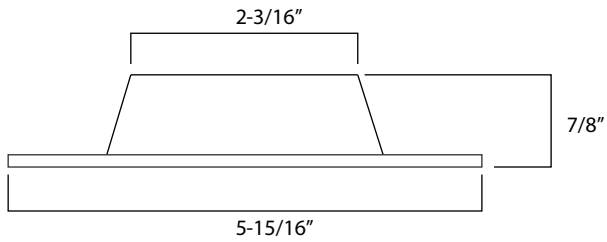
1. Bi-directional only available in triple cable or wall mount  
2. 0-10V dimming available in uni-direction only.  
3. Emergency battery only available in remote.

# RFL4-SL-16

ARCHITECTURAL BI-DIRECTIONAL  
SQUARE LUMINAIRE

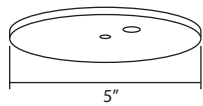
**PROJECT:** \_\_\_\_\_  
**MODEL #:** \_\_\_\_\_  
**LOCATION:** \_\_\_\_\_  
**CONTACT:** \_\_\_\_\_

## LED HEIGHT INSIDE Square Luminaire

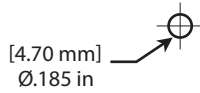


## MOUNTING INFO

### CABLE HUNG DIMENSION



Cable hung canopy



3/64" Galvanized Cable Fuse Cut with Die Cast #1 Stop  
Available in 24", 36", 50", 72", 100", 120", & 150" Lengths  
7x7 Cable - MAX LOAD 270 lbs

