



TYPE:
CATALOG NO.
PROJECT NAME:
COMMENTS:
PREPARED BY:

VERSA COMMERCIAL

4" LED COMMERCIAL DOUBLE SIDEKICK WALL WASH REMODEL

FEATURES

USE OF PRODUCT

The Versa Commercial Double Sidekick Wall Wash Series is the ideal product for energy efficient lighting in Non-IC Remodel applications where double wall washing is required, such as corridors & hallways.

VERSA COMMERCIAL FEATURES

30° Double Sidekick Wall Wash			
Wattage	Lumens	Voltage	CRI
11W	1025 lm	120-277V	93+
16W	1365 lm	120-277V	93+
20W	1600 lm	120-277V	93+
21W	1800 lm	120-277V	93+
30W	2075 lm	120-277V	93+
31W	2440 lm	120-277V	93+
38W	2910 lm	120-277V	93+
45W	3240 lm	120-277V	93+
57W	3820 lm	120-277V	93+

50° Double Sidekick Wall Wash			
Wattage	Lumens	Voltage	CRI
11W	965 lm	120-277V	93+
16W	1210 lm	120-277V	93+
20W	1500 lm	120-277V	93+
21W	1765 lm	120-277V	93+
30W	1950 lm	120-277V	93+
31W	2295 lm	120-277V	93+
38W	2750 lm	120-277V	93+
45W	3060 lm	120-277V	93+
57W	3805 lm	120-277V	93+

Color Temperature: 2700K, 3000K, 3500K, or 4000K
 SDCM: 2 step binning
 Color Rendering Index: 93+ CRI
 R9: 60+
 LED Life: 50,000 hours
 LED Type: Cree LED
 Warranty: 5 year limited warranty

SIDEKICK TECHNOLOGY

Versa Commercial Double Sidekick Wall Wash utilizes angle bending diffuser technology that evenly redirects and distributes light for precision wall washing.

LED ENGINE

LED engine available with CREE LEDs in 2700K, 3000K, 3500K, or 4000K in standard 93+ CRI. 2 Step MacAdam ellipse allows for color consistency between fixtures. LED engine is available in a multitude of optical lens allowing for easy optical control. LED mounted to aluminum heat sink for maximum life output and thermal management.

OPTICAL LENS (Field Replaceable)

Available in 30° and 50° beam angle.

DIMMING

Available in 8 driver selections. (ID) Standard all-inclusive ELV, Triac, and 0-10V dimming driver called Intelligent Drive, 120-277V. (PEQ0) Lutron Hi-Lume Premier Ecosystem 0.1% w/soft on, fade to black dimming, 120-277V. (LDE1) Lutron Hi-Lume 1% Ecosystem with soft on, fade to black dimming, 120-277V. (LTE) Hi-Lume 1% 2-wire, 120V (L3DA) Hi-Lume 1% EcoSystem/3-Wire L3D Driver (EEI) eldoLED Eco 1% Dim (0-10V), 120-277V. (EDIO) eldoLED Solo 0.1% Dim(0-10V), 120-277V. (EDID) eldoLED Solo 0.1% Dim(DALI), 120-277V.

VERSATILITY

The Versa Commercial Sidekick series provides for interchangeable wall wash trims in 30° or 50° double wall wash lens also with an assortment of finishes to achieve a particular look. The ability to field install and/or replace various trims makes the Versa Commercial Sidekick Series the most flexible commercial wallwash downlight in the industry.

EMERGENCY BACKUP

Optional emergency backup available for a minimum of 90 minutes with remote test switch.

INSTALLATION

Non-IC housing. Installation must be kept at least 3" away from fixture.

LABELS/COMPLIANCE

-CSA Listed for US and Canada



ORDERING INFORMATION

Series	Lumens	Color Temp	Voltage	Dimming
RVC4DW-30 - 4" Versa Commercial 30° Double Wall Wash	10L - 1025 lm	27 - 2700K	UNV - 120-277V	ID ² - Standard all-inclusive ELV, Triac, and 0-10V dimming driver (Intelligent Drive)
	13L - 1365 lm	30 - 3000K	1 - 120V	PEQ0 ³ - Lutron Hi-Lume Premier Ecosystem 0.1% w/soft on, fade to black dimming
	15L - 1595 lm	35 - 3500K	3 ¹ - 347V	LDE1 ⁵ - Lutron Hi-Lume 1% Ecosystem with soft on, fade to black dimming
	18L - 1800 lm	40 - 4000K		LTE ^{4,5} - Hi-Lume 1% 2-wire
	20L - 2075 lm			L3DA - Hi-Lume 1% EcoSystem/3-Wire L3D Driver
	24L - 2440 lm			EEI ^{5,6} - eldoLED Eco 1% Dim (0-10V)
	29L - 2910 lm			EDIO ^{5,6} - eldoLED Solo 0.1% Dim (0-10V)
	32L - 3240 lm			EDID ^{5,6} - eldoLED Solo 0.1% Dim (DALI)
	38L - 3820 lm			
RVC4DW-50 - 4" Versa Commercial 50° Double Wall Wash	9L - 965 lm			
	12L - 1210 lm			
	15L - 1500 lm			
	17L - 1765 lm			
	19L - 1950 lm			
	22L - 2295 lm			
	27L - 2750 lm			
	30L - 3060 lm			
	38L - 3805 lm			

Double Wall Wash Trim	Frame	Options
4TWD - White Double Wall Wash	FR - Remodel	ERB - Emergency Battery with Remote Switch (800 Lumens)
4TSD - Specular Clear Double Wall Wash		ER17 - Emergency Battery with Remote Switch (1700 Lumens)
4THD - Haze Double Wall Wash		WL - Wet Location
4TBD - Black Double Wall Wash		
MTO - Made to Order		

1. Step down transformer required.
2. Intelligent Drive is the standard driver for the Versa Commercial.
3. Driver must not exceed 20W
4. 120V only.
5. Inapplicable to 4000 Lumen offering.
6. Must specify logarithmic or linear eldoLED diver.



www.rayonlighting.com
 info@rayonlighting.com

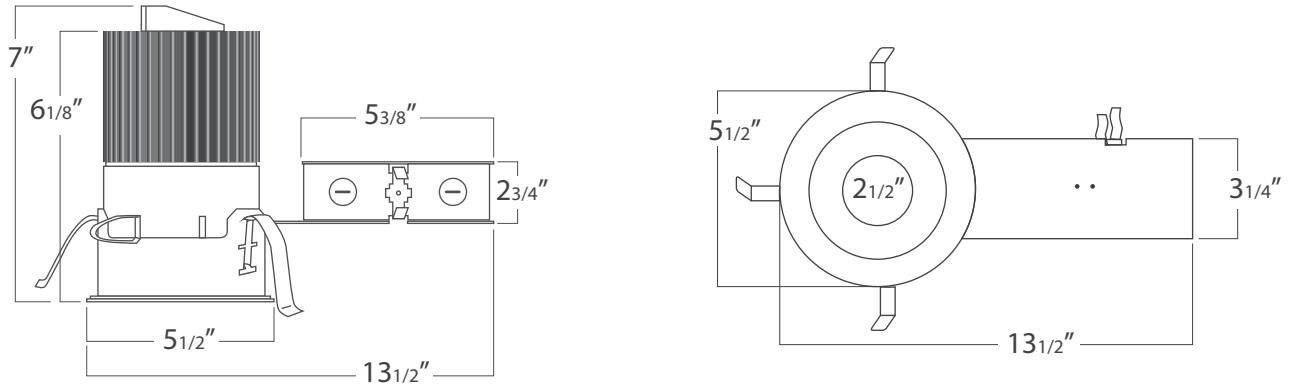
Tel: 323.446.2626
 Fax: 323.446.2606

Specification and product availability
 subject to change without notice

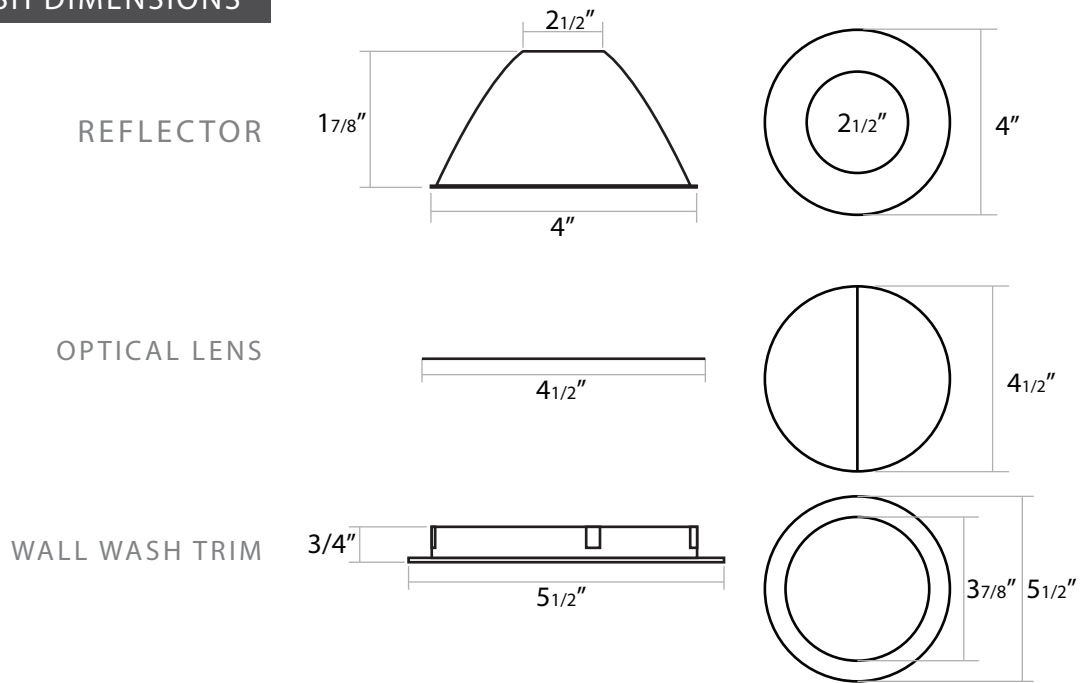
03/21

4" LED COMMERCIAL DOUBLE SIDEKICK WALL WASH REMODEL

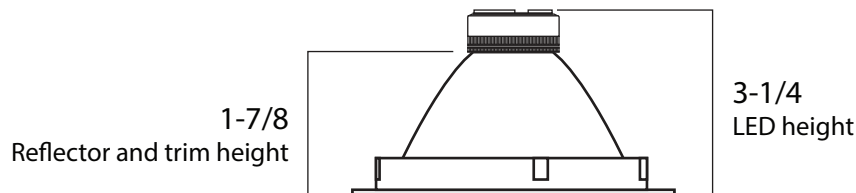
DIMENSIONS



WALL WASH DIMENSIONS



LED HEIGHT INSIDE DOWNLIGHT



VERSA COMMERCIAL

4" LED COMMERCIAL DOUBLE SIDEKICK WALL WASH
REMODEL

PROJECT:

MODEL #:

LOCATION:

CONTACT:

ANATOMY

