



# VERSA COMMERCIAL

6" LED COMMERCIAL DOWNLIGHT RETROFIT

JOB INFORMATION	TYPE:
	CATALOG NO.:
	PROJECT NAME:
	COMMENTS:
	PREPARED BY:

## FEATURES

### USE OF PRODUCT

The 6" Versa Commercial LED Downlight is the ideal product for energy efficient lighting in Non-IC Retrofit commercial applications. Available with interchangeable reflectors and trims, with an assortment of color temperatures, lenses, filters and dimmable driver options.

### VERSA COMMERCIAL FEATURES

Wattage	Lumens	Voltage	CRI
11W	1,025 lm	120-277V	93+
16W	1,300 lm	120-277V	93+
20W	1,600 lm	120-277V	93+
21W	1,870 lm	120-277V	93+
30W	2,070 lm	120-277V	93+
31W	2,435 lm	120-277V	93+
38W	2,930 lm	120-277V	93+
45W	3,280 lm	120-277V	93+
58W	4,000 lm	120-277V	93+

\*Performance based on 3000K

Color Temperature: 2700K, 3000K, 3500K, or 4000K  
 SDCM: 2 step binning  
 Color Rendering Index: 93+ CRI  
 R9: 60+  
 Optical Lens: 18°, 30°, 50°, 80°  
 Filter Accessories: Solite, frosted or honeycomb  
 LED Life: 50,000 Hours  
 LED Type: Cree LED  
 Driver Info: 120-277V, 50/60 Hz, PF>0.9, THD<0.20  
 Versatility: Interchangeable reflector and trim ring  
 Warranty: 5 year limited warranty

### LED ENGINE

LED engine available with CREE LEDs in 2700K, 3000K, 3500K, or 4000K in standard 93+ CRI. 2 Step MacAdam ellipse allows for color consistency between fixtures. LED mounted to aluminum heat sink for maximum life output and thermal management.

### OPTICAL LENS (Field Replaceable)

Field replaceable optical lens available in 18°, 30°, 50° and 80°. Easily achieve narrow spot to wide flood beam pattern.

### FILTER ACCESSORIES

A multitude of filter accessories are available to achieve a particular light effect. Available in frosted, honeycomb or solite filter options.

### DIMMING

Available in 8 driver selections. (ID) Standard all-inclusive ELV, Triac, and 0-10V dimming driver called Intelligent Drive, 120-277V. (PEQ0) Lutron Hi-Lume Premier Ecosystem 0.1% w/soft on, fade to black dimming, 120-277V. (LDE1) Lutron Hi-Lume 1% Ecosystem with soft on, fade to black dimming, 120-277V. (LTE) Hi-Lume 1% 2-wire, 120V (L3DA) Hi-lume 1% EcoSystem/3-Wire L3D Driver (EEI) eldoLED Eco 1% Dim (0-10V), 120-277V. (EDIO) eldoLED Solo 0.1% Dim(0-10V), 120-277V. (EDID) eldoLED Solo 0.1% Dim(DALI), 120-277V.

### VERSATILITY

The Versa Commercial LED Downlight series provides for interchangeable reflectors and trims in round shape with an assortment of finishes to achieve a particular look. The ability to field install and/or replace various reflectors, trims, optics & filters makes the Versa Commercial Downlight Series the most flexible commercial downlight in the industry.

### INSTALLATION

Non-IC housing. Insulation must be kept at least 3" away from fixture.

### LABELS/COMPLIANCE/WARRANTY

-CSA Listed for US and Canada  
 -5 year limited warranty.



## ORDERING INFORMATION

Series	Lumens	Color Temp	Voltage	Dimming	Optical Lens
<b>RVC6</b>	<b>10L</b> - 1025 lm	<b>27</b> - 2700K	<b>UNV</b> - 120-277V	<b>ID</b> <sup>2</sup> - Standard all-inclusive ELV, Triac, and 0-10V dimming driver (Intelligent Drive)	<b>18</b> - 18° Beam
	<b>13L</b> - 1300 lm	<b>30</b> - 3000K	<b>1</b> - 120V	<b>PEQ0</b> <sup>3</sup> - Lutron Hi-Lume Premier Ecosystem 0.1% w/soft on, fade to black dimming	<b>30</b> - 30° Beam
	<b>16L</b> - 1600 lm	<b>35</b> - 3500K	<b>3</b> <sup>1</sup> - 347V	<b>LDE1</b> <sup>5</sup> - Lutron Hi-Lume 1% Ecosystem with soft on, fade to black dimming	<b>50</b> - 50° Beam
	<b>18L</b> - 1870 lm	<b>40</b> - 4000K		<b>LTE</b> <sup>4,5</sup> - Hi-Lume 1% 2-wire	<b>80</b> - 80° Beam
	<b>20L</b> - 2070 lm			<b>L3DA</b> - Hi-lume 1% EcoSystem/3-Wire L3D Driver	
	<b>24L</b> - 2435 lm			<b>EEI</b> <sup>5,6</sup> - eldoLED Eco 1% Dim (0-10V)	
	<b>29L</b> - 2930 lm			<b>EDIO</b> <sup>5,6</sup> - eldoLED Solo 0.1% Dim (0-10V)	
	<b>32L</b> - 3280 lm			<b>EDID</b> <sup>5,6</sup> - eldoLED Solo 0.1% Dim (DALI)	
	<b>40L</b> - 4000 lm				

Reflector	Trim	Frame	Options
<b>6RW</b> - White	<b>6TW</b> - White	<b>AC</b> - Retrofit	<b>E18</b> - Emergency Battery with Integral Switch (800 Lumens)
<b>6RS</b> - Specular Clear	<b>6TS</b> - Specular Clear		<b>ER8</b> - Emergency Battery with Remote Switch (800 Lumens)
<b>6RH</b> - Haze	<b>6TH</b> - Haze		<b>E117</b> - Emergency Battery with Integral Switch (1700 Lumens)
<b>6RB</b> - Black	<b>6TB</b> - Black		<b>ER17</b> - Emergency Battery with Remote Switch (1700 Lumens)
<b>MTO</b> - Made to order	<b>MTO</b> - Made to order		<b>WL</b> - Wet Location
			<b>F</b> - Frosted filter
			<b>H</b> - Honeycomb
			<b>S</b> - Solite filter

- Step down transformer required.
- Intelligent Drive is the standard driver for the Versa Commercial.
- Driver must not exceed 20W
- 120V only.
- Inapplicable to 4000 Lumen offering.
- Must specify logarithmic or linear eldoLED diver.

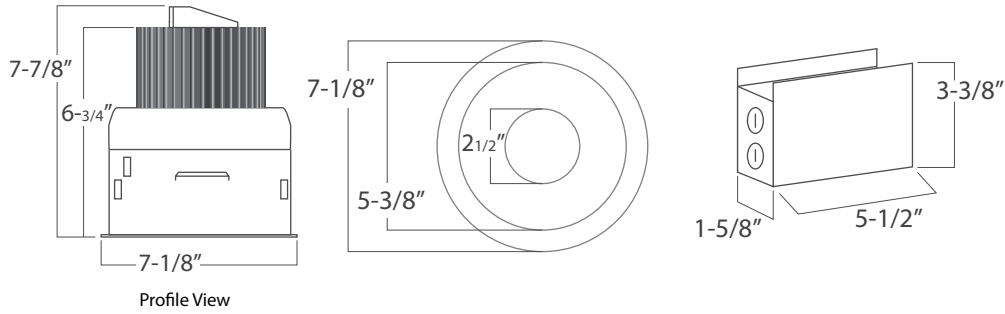


www.rayonlighting.com  
 info@rayonlighting.com

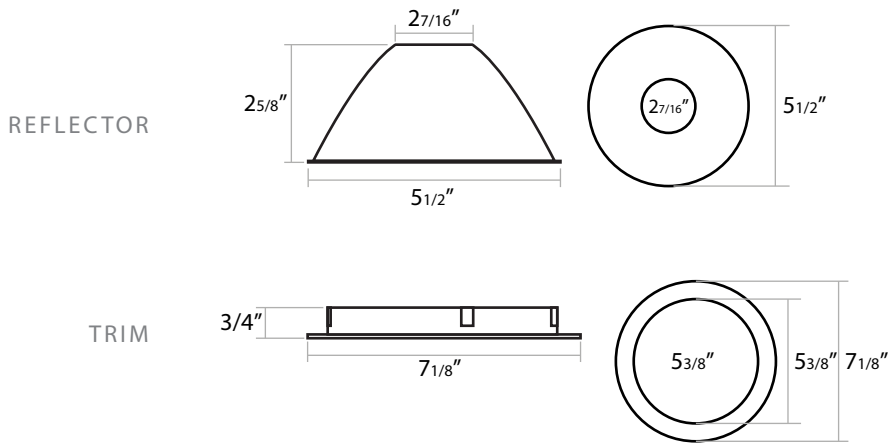
Tel: 323.446.2626  
 Fax: 323.446.2606

Specification and product availability  
 subject to change without notice

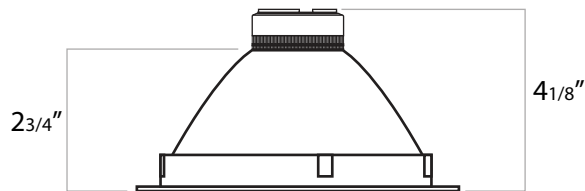
**REMODEL DIMENSIONS**



**REFLECTOR/TRIM DIMENSIONS**

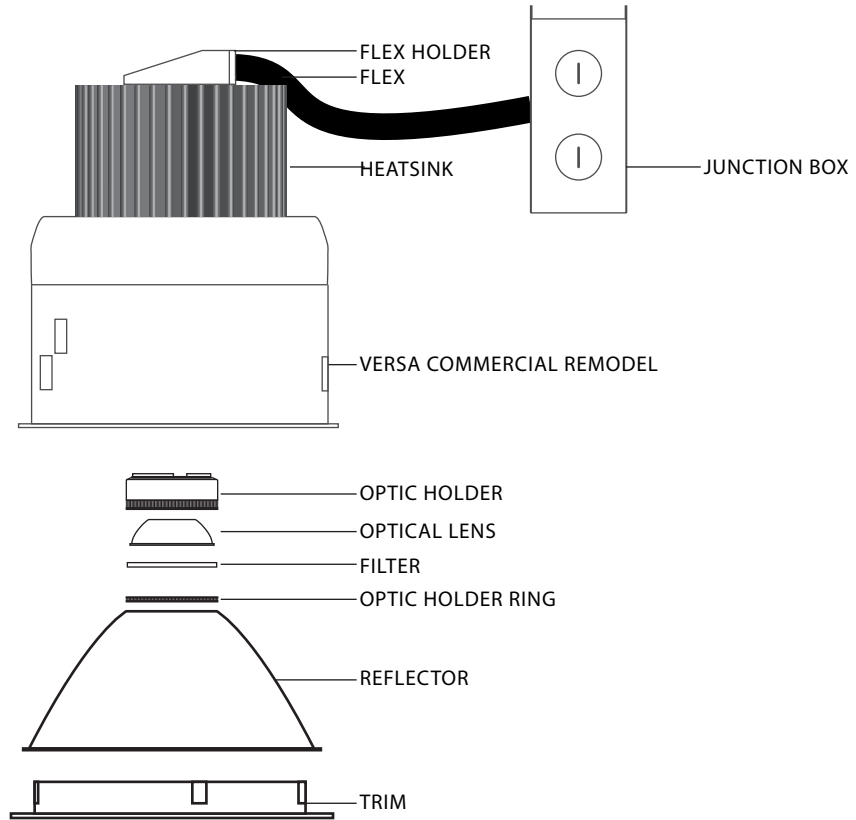


**LED HEIGHT INSIDE DOWNLIGHT**



**6" LED COMMERCIAL DOWNLIGHT REMODEL**

**ANATOMY**

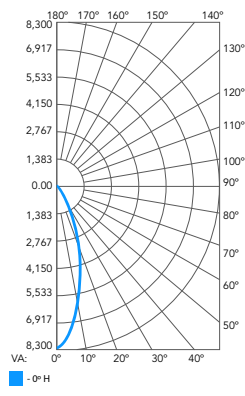


**PHOTOMETRICS**

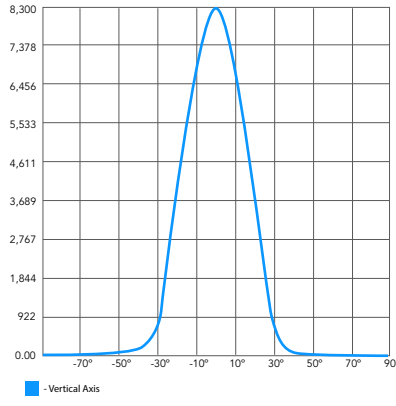
**30° BEAM**

TEST DATE 18Sep16  
SERIES RVC6  
FRAME  
LUMENS 4102.2  
WATTS 57.382

POLAR CANDELA DISTRIBUTION



CANDELA DISTRIBUTION



LUMENS PER ZONE

ZONE	LUMENS	% TOTAL
0-10	693.1	16.9%
10-20	1,425.9	34.8%
20-30	1,198.2	29.2%
30-40	529.4	12.9%
40-50	112.7	2.7%
50-60	62.4	1.5%
60-70	44.0	1.1%
70-80	26.9	0.7%
80-90	9.2	0.2%

LCS TABLE

BUG RATING	B3 - UX - GO	
	LUMENS	LUMENS%
<b>FORWARD LIGHT</b>		
LOW(0-30):	1,600.0	39%
MEDIUM(30-60):	326.0	7.9%
HIGH(60-80):	31.7	0.8%
VERY HIGH(80-90):	3.1	0.1%
<b>BACK LIGHT</b>		
LOW(0-30):	1,721.1	42%
MEDIUM(30-60):	378.6	9.2%
HIGH(60-80):	39.2	1%
VERY HIGH(80-90):	6.1	0.1%
<b>TRAPPED LIGHT:</b>	0.000	0%

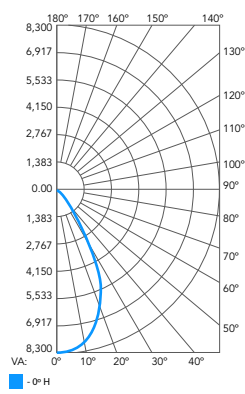
ILLUMINANCE AT A DISTANCE

H HEIGHT(FT)	CENTER BEAM FOOTCANDLE	BEAM SPREAD(FT)		FIELD SPREAD(FT)	
		HORIZONTAL	VERTICAL	HORIZONTAL	VERTICAL
4.00	514.49 FC	2.7	2.7	5.6	5.6
8.00	128.62 FC	5.5	5.5	11.1	11.1
12.00	57.17 FC	8.2	8.2	16.7	16.7
16.00	32.16 FC	10.9	11.0	22.2	22.3
20.00	20.58 FC	13.7	13.7	27.8	27.9
		BEAM ANGLE		FIELD ANGLE	
		37.7°	37.9°	69.6°	69.7°

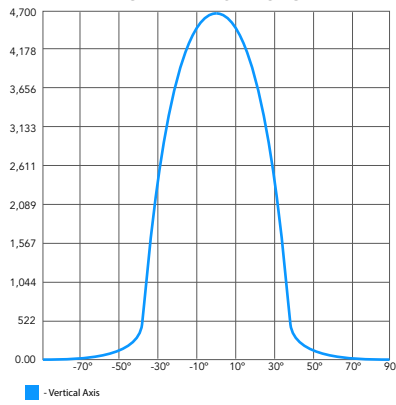
**50° BEAM**

TEST DATE 16Sep16  
SERIES RVC6  
FRAME  
LUMENS 3656.7  
WATTS 59.0943

POLAR CANDELA DISTRIBUTION



CANDELA DISTRIBUTION



LUMENS PER ZONE

ZONE	LUMENS	% TOTAL
0-10	432.0	11.1%
10-20	1,141.0	29.2%
20-30	1,323.5	33.9%
30-40	678.1	17.4%
40-50	145.8	3.7%
50-60	83.3	2.1%
60-70	57.3	1.5%
70-80	34.78	0.9%
80-90	11.2	0.3%

LCS TABLE

BUG RATING	B3 - UX - GO	
	LUMENS	LUMENS%
<b>FORWARD LIGHT</b>		
LOW(0-30):	1,411.9	38.6%
MEDIUM(30-60):	408.2	11.2%
HIGH(60-80):	42.7	1.2%
VERY HIGH(80-90):	4.1	0.1%
<b>BACK LIGHT</b>		
LOW(0-30):	1,486.5	40.7%
MEDIUM(30-60):	499.3	13.7%
HIGH(60-80):	49.2	1.3%
VERY HIGH(80-90):	7.1	0.2%
<b>TRAPPED LIGHT:</b>	0.000	0%

ILLUMINANCE AT A DISTANCE

H HEIGHT(FT)	CENTER BEAM FOOTCANDLE	BEAM SPREAD(FT)		FIELD SPREAD(FT)	
		HORIZONTAL	VERTICAL	HORIZONTAL	VERTICAL
4.00	291.87 FC	4.4	4.4	6.4	6.4
8.00	72.97 FC	8.7	8.8	12.9	12.8
12.00	32.43 FC	13.1	13.2	19.3	19.2
16.00	18.24 FC	17.4	17.6	25.7	25.6
20.00	11.67 FC	21.8	22.0	32.2	32.0
		BEAM ANGLE		FIELD ANGLE	
		57.1°	57.6°	77.6°	77.3°



**VERSA COMMERCIAL**  
6" LED COMMERCIAL DOWNLIGHT RETROFIT

PROJECT:

MODEL #:

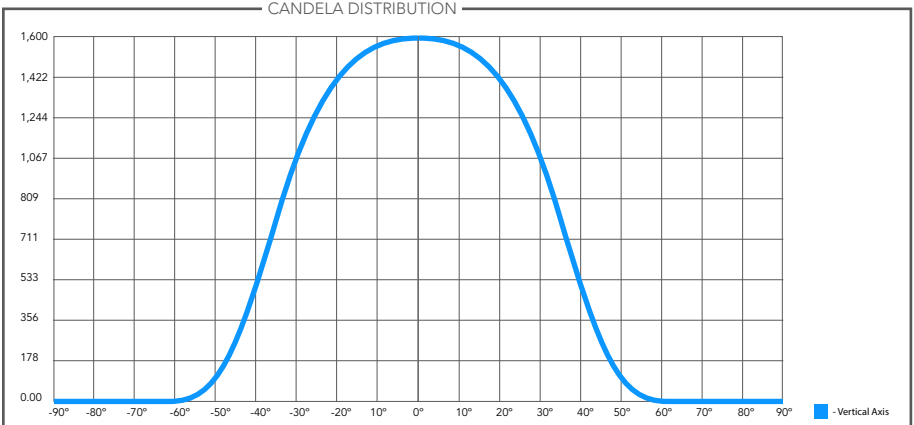
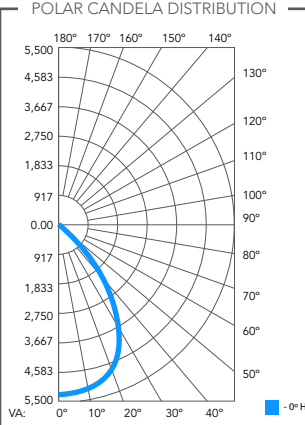
LOCATION:

CONTACT:

**PHOTOMETRICS**

**70° BEAM**

TEST DATE 18Sep16  
SERIES RVC6  
FRAME  
LUMENS 3657  
WATTS 57.566



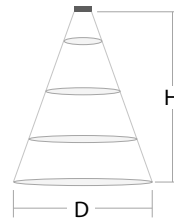
**LUMENS PER ZONE**

ZONE	LUMENS	% TOTAL
0-30	2,232.3	61.1%
0-40	3,197.4	87.5%
0-60	3,653.1	100%
60-90	0.000	0%
70-100	0.000	0%
90-120	0.000	0%
0-90	3,653.1	100%
90-180	0.000	0%
0-180	3,653.1	100%

**LCS TABLE**

BUG RATING	B3 - U0 - GO	
	LUMENS	LUMENS%
<b>FORWARD LIGHT</b>		
LOW(0-30):	1,116.6	30.6%
MEDIUM(30-60):	710.7	19.5%
HIGH(60-80):	0.000	0%
VERY HIGH(80-90):	0.000	0%
<b>BACK LIGHT</b>		
LOW(0-30):	1,116.6	30.6%
MEDIUM(30-60):	710.7	19.5%
HIGH(60-80):	0.000	0%
VERY HIGH(80-90):	0.000	0%
<b>UP LIGHT</b>		
LOW(90-100):	0.000	0%
HIGH(100-180):	0.000	0%
<b>TRAPPED LIGHT:</b>	0.000	0%

**ILLUMINANCE AT A DISTANCE**



H		CENTER BEAM FOOTCANDLE	D		
HEIGHT(FT)	BEAM SPREAD(FT)		FIELD SPREAD(FT)		
	HORIZONTAL	VERTICAL	HORIZONTAL	VERTICAL	
4.00	190.13 FC	5.7	5.7	8.8	8.8
8.00	47.53 FC	11.4	11.3	17.6	17.6
12.00	21.13 FC	17.0	17.0	26.5	26.4
16.00	11.88 FC	22.7	22.6	35.3	35.2
20.00	7.61 FC	28.4	28.3	44.1	44.0
		BEAM ANGLE		FIELD ANGLE	
		70.7°	70.6°	95.6°	95.5°

**6" LED COMMERCIAL DOWNLIGHT RETROFIT**



www.rayonlighting.com  
info@rayonlighting.com

Tel: 323.446.2626  
Fax: 323.446.2606

Specification and product availability  
subject to change without notice