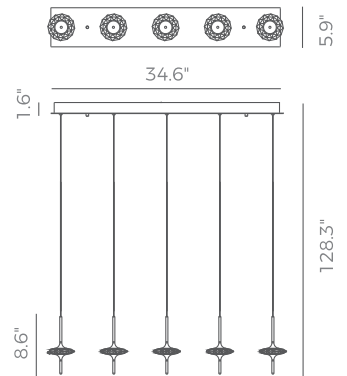
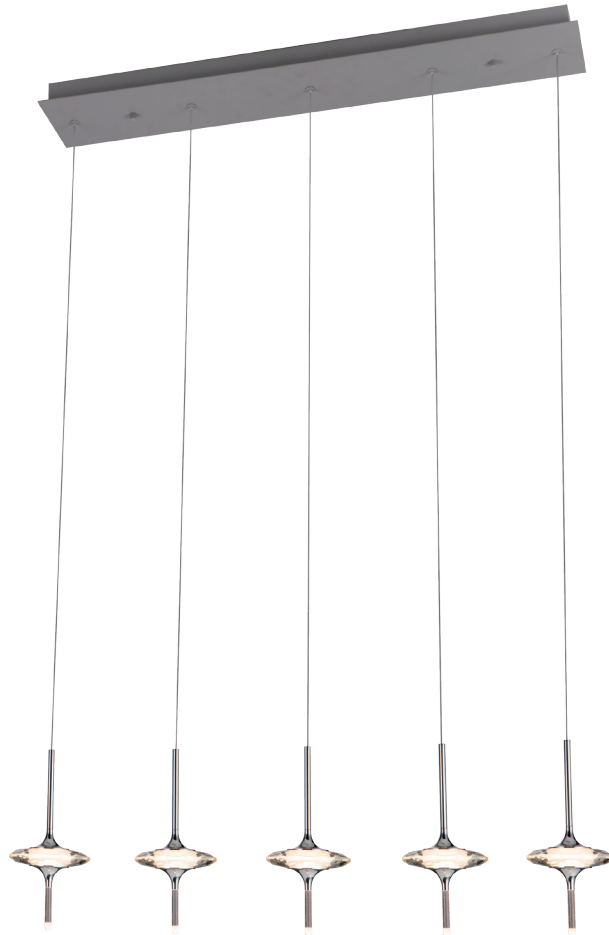


PROJECT			
DATE		TYPE	



PP121807-CM/GY **NEW**



LIGHT-YEAR

DETAILS

Material:
Zinc Alloy + Steel + ABS

Lamp Shade:
Crystal + Acrylic

Finishing:
Electroplating +
Painting

Color Temp.: 3000K

CRI (Ra): ≥90

LED Rated Life: ≈50,000 Hours

Dimming: 100%-10%



Dimmable with ELV or TRIAC Dimmer (Not Included)

ITEM NO.

Wattage:

Voltage:

Size:

Total Lumens:

Delivered Lumens:

PP121807

25W

100-120V

34.6" x 5.9" x 128.3" OAH

2100

1500