

WAC LIGHTING

Aviator

18" Wall Sconce 3000K

Fixture Type: _____

Catalog Number: _____

Project: _____

Location: _____

Model & Size	Color Temp	Finish	LED Watts	LED Lumens	Delivered Lumens
WS-43613 13"	3000K	SN Satin Nickel	16W	1134	761

Example: **WS-43613-SN**

- For alternate color temperature, special order adding 35 or 27:WS-43613-27-SN

For custom requests please contact customs@wacighting.com

DESCRIPTION

Mouth blown acid etched opal glass adorns Die-cast satin nickel hardware in the Aviator collection. This ADA Compliant, low profile design makes the Aviator a great choice in upscale hospitality or residential homes.

FEATURES

- Driver installed within the Junction Box, driver dimension: 2.76" x 1.26" x 1.18"
- 5 year warranty

SPECIFICATIONS

Color Temp:	3000K
Input:	120-277 VAC,50/60Hz
CRI:	90
Dimming:	ELV: 100-10%
Rated Life:	85000 Hours
Standards:	ETL, cETL Damp Location Listed
Construction:	Aluminum hardware with mouth blown etched glass diffuser

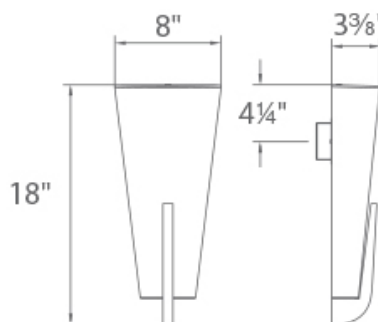


FINISHES:



Satin Nickel

LINE DRAWING:



REPLACEMENT PARTS

RPL-GLA-47617 - Glass