

Accentra™ Series Wet Location - IP66

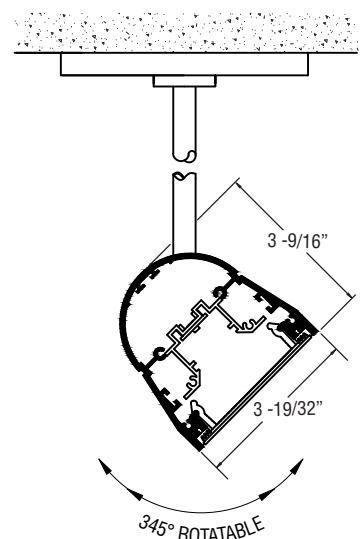
Catalog Number	_____	Project Name	_____
Project Name		_____	



B.U.G. Ratings
 Backlight / Uplight / Gra
 (Any Distribution)
 High Output: B0 - U5 - G0
 Medium Output: B0 - U5 - G0
 (See Photometric Files for More Information)

ACC-WL66-P IP66 & IK10 Rated

3¹⁹/₃₂" x 3¹/₁₆" Wet Location
 Rotatable - Rigid Stem Mount



Rigid Stem Mount - PXX

S P E C I F I C A T I O N S

Housing

One-piece, .100" thick extruded aluminum with locking provisions on both ends. Die-cast aluminum support modules, end plates and cover plates are fully gasketed. Standard lengths are nominal 2', 3', 4', 5', 6', 7' and 8'. Provisions may be made for continuous rows of virtually any length.

Internal Construction

All internal mechanical components, including fasteners, are aluminum or stainless steel.

Finish

Standard and premium finishes are baked powder coat electrostatically applied (2.0 mil minimum thickness) to assure aesthetics and durability.

Optical System

.125" thick, high transmittance extruded polycarbonate lens combined with a precisely designed extruded acrylic optic for maximum performance and durability.

Reflector

.070" thick extruded aluminum finished with a high reflectance baked white powder coat.

Integral Controls

Contact factory for IP66 rated, daylight and/or occupancy sensor controls.

Driver

Power supply is UL/CUL recognized, 120-277 universal voltage. 347V also available.

Light Engine

LED light source available for 3000K, 3500K, and 4000K CCT, in High and Medium outputs. **See below and following pages for photometric data: lumen outputs, input power (watts), and efficacies.**

Mounting

All mounting components are aluminum or stainless steel. Stem /Canopy assemblies are painted to match fixture housing.

Circuitry

All fixtures are factory pre-wired for a single circuit. Provision for multiple switching/circuiting is optional.

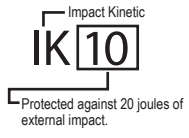
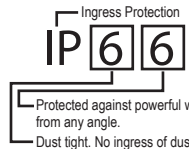
Certification

All fixtures are UL/CUL listed for use in 'Wet Locations.' Ambient operating temperature rated from -30° C up to 50° C, and 0° C up to 50° C with battery back-up.
 *IP66 Rated. **IK10 Rated.

Due to continued advancement in LED technology, lumen performance is subject to change. Please visit our website for the most up-to-date information.

*The IP (or Ingress Protection) rating defines the degree of protection for a luminaire from outside elements: Solids and Liquids.

**The IK (or Impact Kinetic) rating defines the degree of protection for a luminaire against external mechanical impacts.



Sample Catalog Number: **ACC-WL66 - MB - HO - K40 - 80 - 4 - P24 - F01M - 120 - DIMX - OPTIONS**

ACC-WL66	-		-		-		-	80	-		-		-		-		-		-	
----------	---	--	---	--	---	--	---	----	---	--	---	--	---	--	---	--	---	--	---	--

Accentra Series Wet Location - IP66
 Distribution: **MB** = Medium Beam **NB** = Narrow Beam
 WB = Wide Beam

Lumen Output / 4': **HO** - High Output - (Med. Distr.) = 3237 Total Lms. - 98 Lm/W
 MO - Med. Output - (Med. Distr.) = 2123 Total Lms. - 104 Lm/W
 HO - High Output - (Narrow Distr.) = 3683 Total Lms. - 111 Lm/W
 MO - Med. Output - (Narrow Distr.) = 2410 Total Lms. - 118 Lm/W
 HO - High Output - (Wide Distr.) = 2875 Total Lms. - 87 Lm/W
 MO - Med. Output - (Wide Distr.) = 1876 Total Lms. - 92 Lm/W
 CO - Custom Outputs (Contact factory for available output ranges)

CCT: **K30**-3000K, **K35**-3500K, **K40**-4000K
 CRI: **80** (Standard)

Fixture Lengths: **Nominal 2', 3', 4', 5', 6', 7' and 8'**
 For continuous rows of 8' or longer, specify row length in 1' increments.

Mounting: **PXX** = Rigid Stem Mount (S. S. Stems: Specify Standard 6", 12", 18", or 24". Contact factory for custom lengths)

Standard Finishes: **F01M** Matte White **F10** Bronzed **F11T** Textured Black **F12** Ultrasonic Clear
 FCC Custom Color

Voltage: **120V, 277V, 347V or UNV** (Universal Voltage)

Drivers: **DIMX** = Standard Driver - No Dimming **DIM1** = Standard Driver Wired for Dimming - 100% to 1% **CWD** = Cold Weather Driver (-40° C Ambient Start Temp.)

Options: **EBPHST** = Self-Testing Emergency Battery Pack (10 Watt) (*N/A for 2' or 3' and N/A for 347V) **FS** = Fused Drivers

Accentra Wet Location - IP66

ACC -WL66 - NB -HO

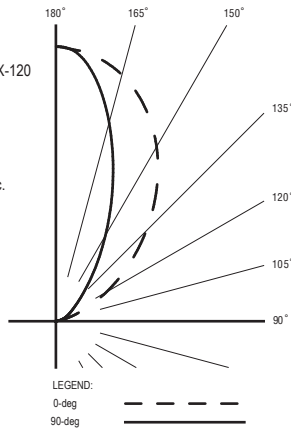


High Output - Rotatable

Polycarbonate Lens & Narrow Beam Optics

Catalog Number: ACC-WL66-NB-HO-K40-80-4'-X-FXXX-120
 Report Number: #LLIA001618-005.ies
 Luminaire Description: Extruded Aluminum Housing with White Alum. Reflector, Polycarbonate Outer Lens and Extruded Acrylic Optic.
 LED Module: Multiple White Low-Power Light Emitting Diodes (LEDs) in a precise lay-out.

Total Luminaire Efficacy = 111.4 Lm/W
 Input Power / 4' = 33.06 W
 Color Rendering Index (CRI) = 82
 100% Direct Light



ZONAL LUMEN SUMMARY

Zone	Lumens	%Fixture
90- 120	327	8.8
90- 130	704	19.0
90- 140	1270	34.4
90- 150	2003	54.3
90- 160	2792	75.7
90- 170	3432	93.1
90- 180	3683	100.0

CANDELA DISTRIBUTION

	0.0	22.5	45.0	67.5	90.0
90	0	0	0	0	0
95	17	18	13	12	12
115	397	300	171	128	123
125	798	605	343	225	202
135	1276	1029	641	426	371
145	1778	1531	1095	810	725
155	2228	2044	1671	1398	1307
165	2554	2472	2281	2115	2055
175	2722	2708	2692	2682	2678
180	2752	2752	2752	2752	2752

ACC -WL66 - NB -MO

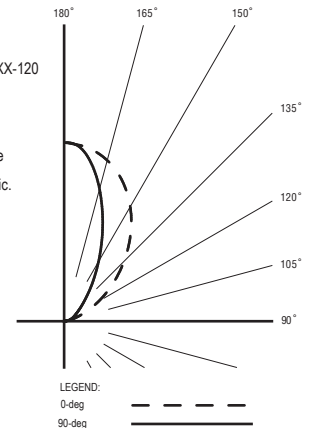


Medium Output - Rotatable

Polycarbonate Lens & Narrow Beam Optics

Catalog Number: ACC-WL66-NB-MO-K40-80-4'-X-FXXX-120
 Report Number: #LLIA001618-006.ies
 Luminaire Description: Extruded Aluminum Housing with White Alum. Reflector, Polycarbonate Outer Lens and Extruded Acrylic Optic.
 LED Module: Multiple White Low-Power Light Emitting Diodes (LEDs) in a precise lay-out.

Total Luminaire Efficacy = 118.2 Lm/W
 Input Power / 4' = 20.39 W
 Color Rendering Index (CRI) = 83
 100% Direct Light



ZONAL LUMEN SUMMARY

Zone	Lumens	%Fixture
90- 120	213	8.8
90- 130	459	19.0
90- 140	828	34.3
90- 150	1307	54.2
90- 160	1824	75.6
90- 170	2244	93.0
90- 180	2410	100.0

CANDELA DISTRIBUTION

	0.0	22.5	45.0	67.5	90.0
90	0	0	0	0	0
95	11	12	8	8	8
115	259	196	111	83	80
125	523	396	223	146	131
135	836	673	418	277	241
145	1167	1004	716	528	472
155	1463	1342	1095	914	854
165	1678	1623	1497	1387	1348
175	1788	1779	1769	1761	1759
180	1809	1809	1809	1809	1809

ACC -WL66 -WB -HO

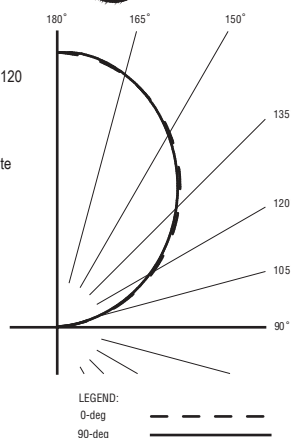


High Output - Rotatable

Polycarbonate Lens & Wide Beam Optics

Catalog Number: ACC-WL66-WB-HO-K40-80-4'-X-FXXX-120
 Report Number: #LLIA001618-001.ies
 Luminaire Description: Extruded Aluminum Housing with White Alum. Reflector, and Polycarbonate Outer Lens.
 LED Module: Multiple White Low-Power Light Emitting Diodes (LEDs) in a precise lay-out.

Total Luminaire Efficacy = 87.1 Lm/W
 Input Power / 4' = 33.02 W
 Color Rendering Index (CRI) = 82
 100% Direct Light



ZONAL LUMEN SUMMARY

Zone	Lumens	%Fixture
90- 120	578	20.1
90- 130	1034	36.0
90- 140	1548	53.9
90- 150	2055	71.5
90- 160	2485	86.4
90- 170	2774	96.4
90- 180	2875	100.0

CANDELA DISTRIBUTION

	0.0	22.5	45.0	67.5	90.0
90	0	0	0	0	0
95	38	38	39	40	40
115	348	348	346	343	341
125	515	513	510	507	505
135	672	670	666	663	662
145	815	812	809	807	807
155	935	933	932	932	933
165	1023	1022	1023	1026	1028
175	1070	1070	1072	1077	1080
180	1080	1080	1080	1080	1080

ACC -WL66 -WB -MO

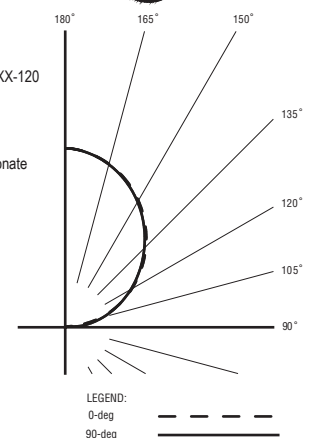


Medium Output - Rotatable

Polycarbonate Lens & Wide Beam Optics

Catalog Number: ACC-WL66-WB-MO-K40-80-4'-X-FXXX-120
 Report Number: #LLIA001618-002.ies
 Luminaire Description: Extruded Aluminum Housing with White Alum. Reflector, and Polycarbonate Outer Lens.
 LED Module: Multiple White Low-Power Light Emitting Diodes (LEDs) in a precise lay-out.

Total Luminaire Efficacy = 91.9 Lm/W
 Input Power / 4' = 20.40 W
 Color Rendering Index (CRI) = 83
 100% Direct Light



ZONAL LUMEN SUMMARY

Zone	Lumens	%Fixture
90- 120	377	20.1
90- 130	675	36.0
90- 140	1011	53.9
90- 150	1342	71.5
90- 160	1622	86.4
90- 170	1810	96.4
90- 180	1876	100.0

CANDELA DISTRIBUTION

	0.0	22.5	45.0	67.5	90.0
90	0	0	0	0	0
95	25	25	25	26	26
115	227	227	226	224	223
125	336	335	333	331	329
135	438	437	435	433	432
145	531	530	528	527	527
155	610	609	608	608	609
165	667	667	668	670	671
175	698	698	700	703	705
180	705	705	705	705	705

For more information, visit our website at www.pal-lighting.com



Precision Architectural Lighting 4830 Timber Creek Drive Houston, Texas 77017
 Tel 713.946.4343 Fax 713.946.4441 www.pal-lighting.com



Made in America

Accentra Wet Location - IP66

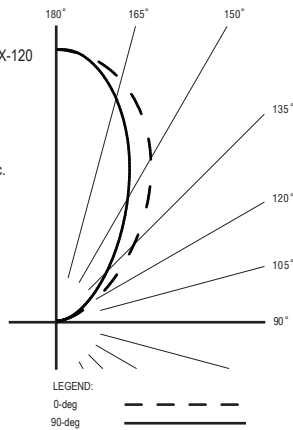
ACC - WL66 - MB - HO



High Output - Rotatable Direct

Polycarbonate Lens & Medium Beam Optics

Catalog Number: ACC-WL66-MB-HO-K40-80-4'-X-FXXX-120
 Report Number: #LLIA001719-002.ies
 Luminaire Description: Extruded Aluminum Housing with White Alum. Reflector, Polycarbonate Outer Lens and Extruded Acrylic Optic.
 LED Module: Multiple White Low-Power Light Emitting Diodes (LEDs) in a precise lay-out.
 Total Luminaire Efficacy = 97.9 Lm/W
 Input Power / 4' = 33.08 W
 Color Rendering Index (CRI) = 83
 100% Direct Light



ZONAL LUMEN SUMMARY

Zone	Lumens	%Fixture
90- 120	361	11.1
90- 130	737	22.7
90- 140	1265	39.0
90- 150	1906	58.8
90- 160	2555	78.9
90- 170	3050	94.2
90- 180	3237	100.0

CANDELA DISTRIBUTION

	0.0	22.5	45.0	67.5	90.0
90	0	0	0	0	0
95	17	21	21	17	15
115	239	276	249	189	170
125	469	504	440	339	304
135	801	805	702	566	515
145	1193	1159	1041	892	835
155	1563	1521	1420	1312	1265
165	1844	1820	1767	1719	1700
175	1992	1987	1986	1988	1988
180	2017	2017	2017	2017	2017

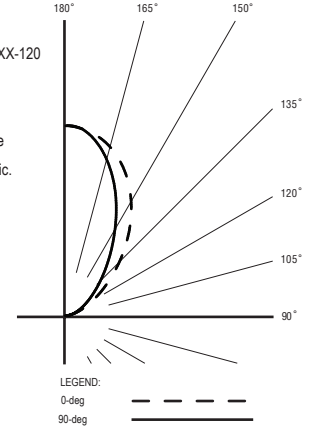
ACC - WL66 - MB - MO



Medium Output - Rotatable Direct

Polycarbonate Lens & Medium Beam Optics

Catalog Number: ACC-WL66-MB-MO-K40-80-4'-X-FXXX-120
 Report Number: #LLIA001719-003.ies
 Luminaire Description: Extruded Aluminum Housing with White Alum. Reflector, Polycarbonate Outer Lens and Extruded Acrylic Optic.
 LED Module: Multiple White Low-Power Light Emitting Diodes (LEDs) in a precise lay-out.
 Total Luminaire Efficacy = 103.6 Lm/W
 Input Power / 4' = 20.50 W
 Color Rendering Index (CRI) = 83
 100% Direct Light



ZONAL LUMEN SUMMARY

Zone	Lumens	%Fixture
90- 120	236	11.1
90- 130	482	22.7
90- 140	828	39.0
90- 150	1248	58.8
90- 160	1675	78.9
90- 170	2000	94.2
90- 180	2123	100.0

CANDELA DISTRIBUTION

	0.0	22.5	45.0	67.5	90.0
90	0	0	0	0	0
95	11	14	14	11	10
115	156	181	163	123	111
125	308	331	288	221	198
135	525	528	460	370	337
145	783	761	683	585	547
155	1028	999	933	862	830
165	1212	1196	1161	1130	1116
175	1309	1306	1305	1306	1307
180	1325	1325	1325	1325	1325

