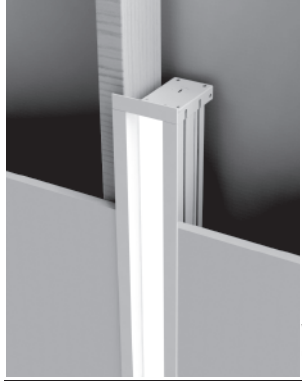


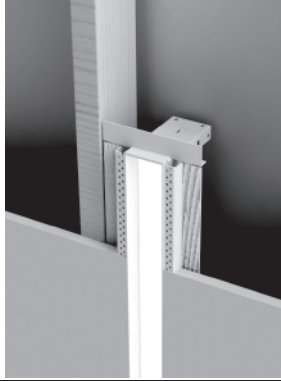
# Microlinea™ Recessed Series 2 - with Regress Lens

(1 7/8" Luminous Aperture)

Catalog Number	Type
Project Name	



Vertical Drywall  
Overlap Flange



Vertical Drywall  
Spackle Flange



## S P E C I F I C A T I O N S

### Housing

Three piece extruded aluminum available in single sections up to 8' long. Standard flange finish is satin white.

### Optical Control

(LOH) .090" thick, high transmittance extruded acrylic snap-in lens, formulated for maximum diffusion of the LED light source. Lens regressed 1" inward from wall line.

### Reflector/Heat Sink

.040" thick die-formed aluminum finished with a high reflectance white enamel.

### Wiring

All fixtures intended for continuous rows are provided with factory installed quick-connect wiring.

### Circuitry

All fixtures are factory pre-wired for a single circuit. Provision for multiple switching/circuiting is optional.

### Driver (Standard)

Osram-Sylvania "Optotronic" power supply is UL/CUL recognized, 0-10V dimming available, 120-277 universal voltage. 347V is available.

\*Due to continued advancement in LED technology, lumen performance is subject to change. Please visit our website for the most up-to-date information.

### Light Engine (Standard)

LED light source available for 3000K, 3500K, and 4000K CCT, in high and medium light outputs and 80 or 90 CRI. Standard outputs at 80 CRI:

#### HO -High Output

\*2181 Total Delivered Lms. at 28 System Watts

#### MO -Medium Output

\*1488 Total Delivered Lms. at 19 System Watts

#### CO - Custom Outputs - (Contact Factory)

(All Values are per 4' using 3500K LED modules)

### Driver (Tunable White)

EldoLED power supply is UL recognized, DALI 0-10V, or DMX available, 120-277 universal voltage.

### Light Engine (Tunable White)

Tunable White LED light source available for 2700K thru 6500K CCT, and 80 or 90 CRI. Contact factory for available outputs.

### Integral Controls

Contact factory for daylight and/or occupancy sensor controls.

### Certification

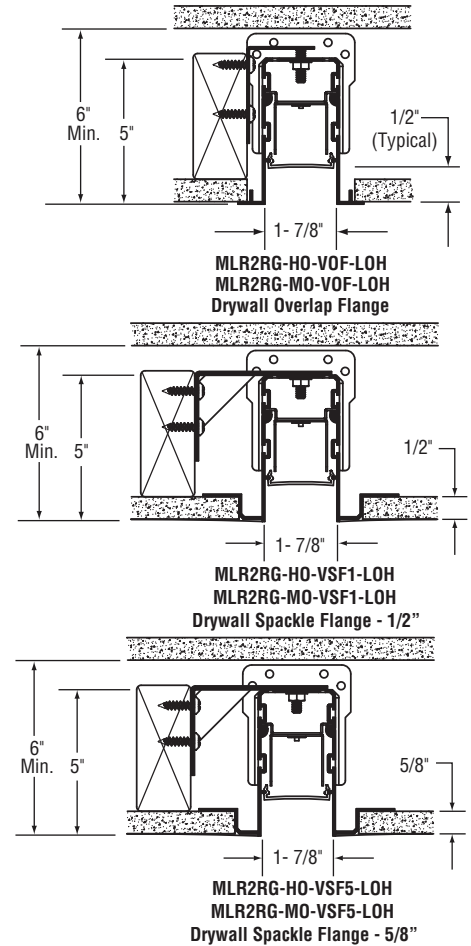
Fixtures are ETL listed for use in 'Dry or Damp Locations.' Conforms to UL Standard #1598 and to CAN/CSA #C22.2No.250.0

**Note: This fixture requires a minimum wall depth of 6" for installation.**

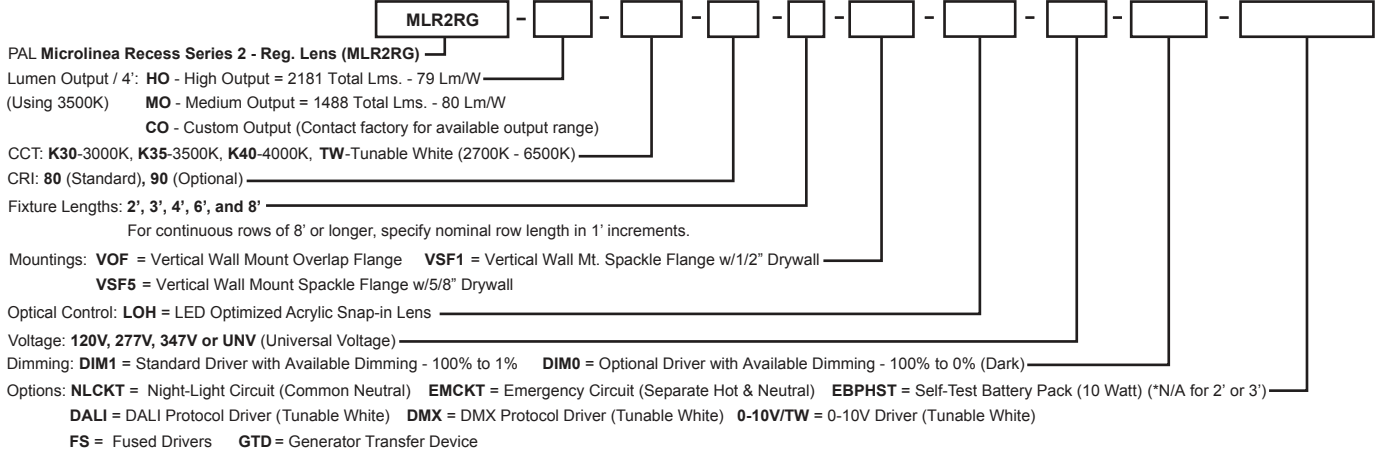
## Vertical Wall Mount 1/2" or 5/8" Thick Drywall



Limited Warranty  
LED Boards & Drivers



Sample Catalog Number: **MLR2RG - HO - K40 - 80 - 4 - VOF - LOH - 120 - DIM1 - OPTIONS**



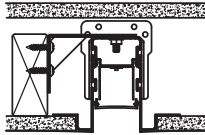
Precision Architectural Lighting 4830 Timber Creek Drive Houston, Texas 77017  
Tel 713.946.4343 Fax 713.946.4441 www.pal-lighting.com



Made in America

# Recessed - Regress Lens

## MLR2RG-HO-K35-LOH



### High Output

#### LED Optimized High Transmittance Lens

**Catalog Number:** MLR2RG-HO-K35-80-4'-X-LOH-120

**Report Number:** #LLIA001168-002.ies

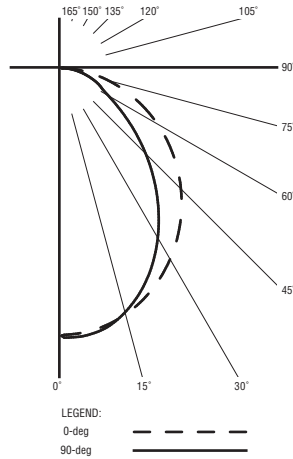
**Luminaire Description :** Extruded Aluminum Housing with White Aluminum Reflector and LED Optimized Acrylic Regress Lens

**LED Module:** Multiple White Low-Power Light Emitting Diodes (LEDs) in a precise lay-out.

Total Luminaire Efficacy = 79.3 Lm/W

Color Rendering Index (CRI) = 84

0% Up 100% Down



LEGEND:  
0-deg ———  
90-deg - - - -

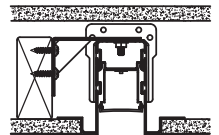
#### ZONAL LUMEN SUMMARY

Zone	Lumens	%Fixture
0- 30	714	32.8
0- 40	1130	51.8
0- 60	1830	83.9
0- 90	2180	100.0
90- 180	0	0.0
0- 180	2180	100.0

#### CANDELA DISTRIBUTION

	0.0	22.5	45.0	67.5	90.0
0	958	958	958	958	958
5	949	950	953	958	961
15	907	910	907	900	898
25	830	829	803	780	770
35	726	713	664	619	601
45	602	577	502	441	418
55	464	426	332	269	250
65	318	267	176	151	151
75	173	116	91	86	84
85	45	28	25	24	24
90	0	0	0	0	0

## MLR2RG-MO-K35-LOH



### Medium Output

#### LED Optimized High Transmittance Lens

**Catalog Number:** MLR2RG-MO-K35-80-4'-X-LOH-120

**Report Number:** #LLIA001168-001.ies

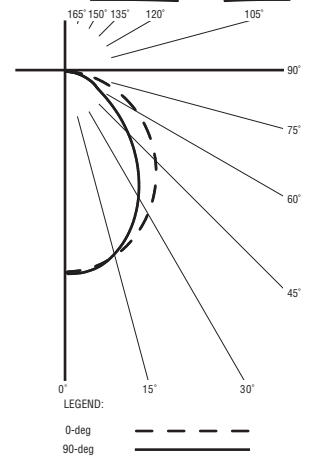
**Luminaire Description :** Extruded Aluminum Housing with White Aluminum Reflector and LED Optimized Acrylic Regress Lens

**LED Module:** Multiple White Low-Power Light Emitting Diodes (LEDs) in a precise lay-out.

Total Luminaire Efficacy = 80.1 Lm/W

Color Rendering Index (CRI) = 84

0% Up 100% Down



LEGEND:  
0-deg ———  
90-deg - - - -

#### ZONAL LUMEN SUMMARY

Zone	Lumens	%Fixture
0- 30	488	32.8
0- 40	771	51.8
0- 60	1249	83.9
0- 90	1488	100.0
90- 180	0	0.0
0- 180	1488	100.0

#### CANDELA DISTRIBUTION

	0.0	22.5	45.0	67.5	90.0
0	654	654	654	654	654
5	647	648	650	654	656
15	619	621	619	614	613
25	567	566	548	532	525
35	495	487	453	422	410
45	411	394	343	301	285
55	317	291	226	184	170
65	217	182	120	103	103
75	118	79	62	59	58
85	31	19	17	16	16
90	0	0	0	0	0

For more information, visit our website at [www.pal-lighting.com](http://www.pal-lighting.com)



Precision Architectural Lighting 4830 Timber Creek Drive Houston, Texas 77017  
Tel 713.946.4343 Fax 713.946.4441 [www.pal-lighting.com](http://www.pal-lighting.com)



Made in America