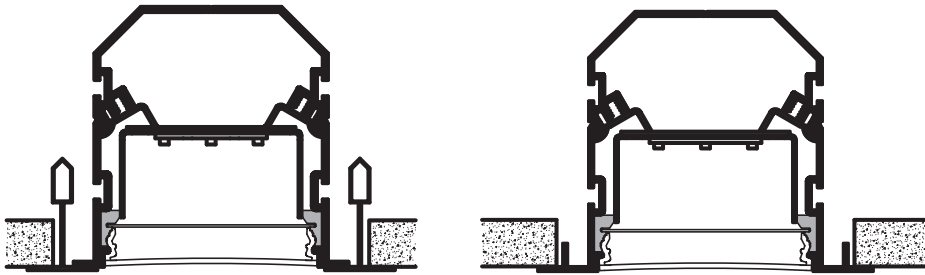


# Microlinea™ Recessed Series 3 - Wet Location - IP54

(2 7/8" Luminous Aperture)



## Grid Ceilings

(Flush Tile, Tegular Tile, Screw Slot)

## Drywall Ceilings

(Overlap Flange, Spackle Flange - 1/2" & 5/8")

### S P E C I F I C A T I O N S

#### Housing

Three piece extruded aluminum, mitered and secured together to form a nominal 2' x 2' continuously lit 90° corner.

#### Optical Controls

(Lenses mitered to provide a continuous transition through the corner.)  
(LOH) LED optimized high transmittance extruded acrylic snap-in lens.

#### Gasketing

Fixture Side Gasket: Extruded silicone rubber - continuously run along both sides of fixture.

#### Moisture Shield

.030" thick clear polycarbonate  
(Required on 90 degree corners and continuous rows only.)

#### Reflector/Heat Sink

.040" thick die-formed aluminum finished with a high reflectance white enamel.

#### Wiring

All corner assemblies are provided with factory installed quick-connect wiring.

#### Driver

LED power supply is UL/CUL recognized, 0-10V dimming available, 120-277 universal voltage. 347V is available.

#### Light Engine

Available for 3000K, 3500K and 4000K CCT. Standard (approximate) outputs at 80 CRI:

#### HO - High Output

\*746 Total Delivered Lms./Ft and 7.3 Watts/Ft

#### MO - Medium Output

\*463 Total Delivered Lms./Ft and 4.3 Watts/Ft

(\*Values using 3500K LED modules.)

#### Circuitry

All corner assemblies are factory pre-wired for a single circuit.

#### Certification

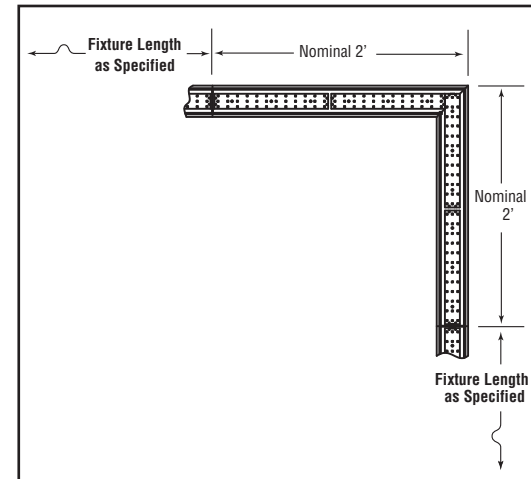
Corner assemblies are ETL listed for use in recessed 'Wet Locations.' Ambient operating temperature rated from -30 C° up to 50 C°, and 0° C up to 50° C with battery back-up.  
IC (Insulation Contact) Rated.  
IP54 rated (Ingress Protection)



## Lighted Horizontal Corners - (Drywall & Grid Ceilings) - Wet Location

(\*Covered Ceiling Only)

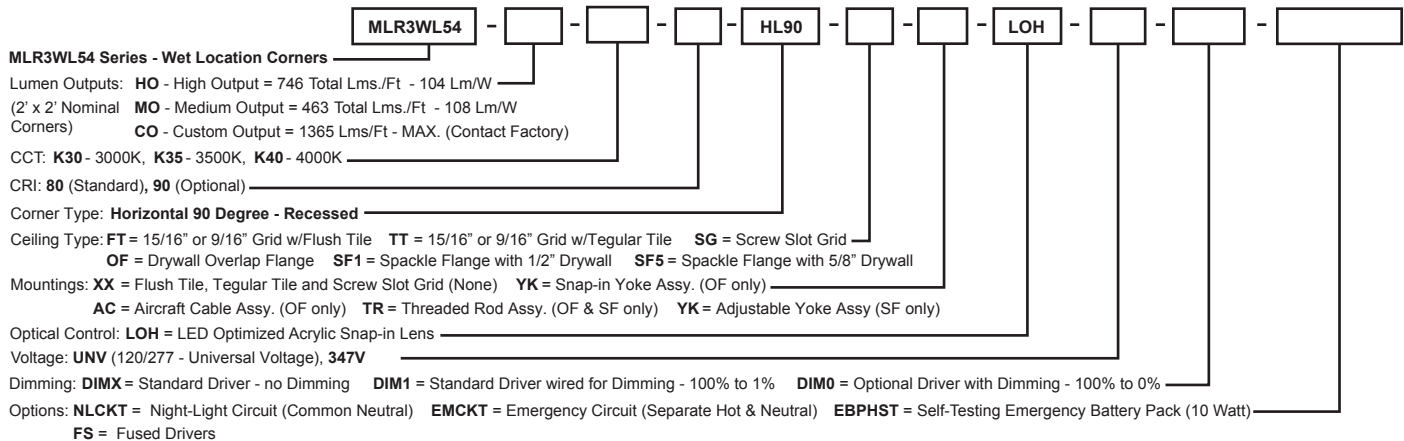
Horizontal extruded aluminum 90° corners are available for use when recessed ceiling mounted patterns are desired. Corners are available in nominal 2' x 2' long continuously lit configurations.



**Lighted Horizontal Corner**  
(High, Medium or Custom Output LED)  
Consult Factory for exact luminaire placement.

### H O W T O O R D E R

Sample Catalog Number: **MLR3WL54 - HO - K40 - 80 - HL90 - FT - XX - LOH - UNV - DIM1 - OPTIONS**



Precision Architectural Lighting 4830 Timber Creek Drive Houston, Texas 77017  
Tel 713.946.4343 Fax 713.946.4441 www.pal-lighting.com

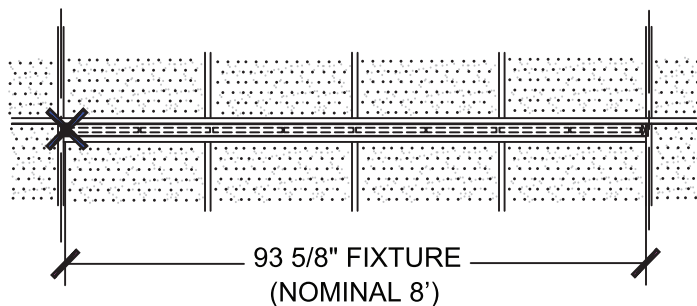
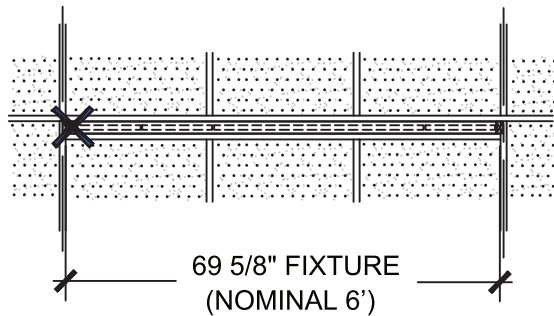
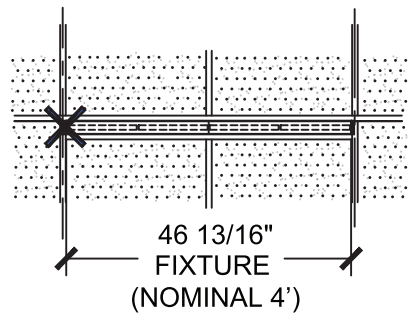
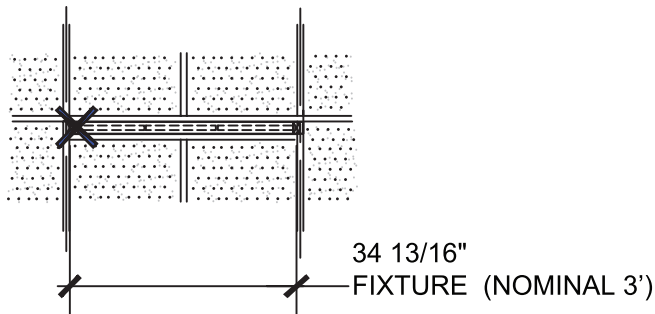
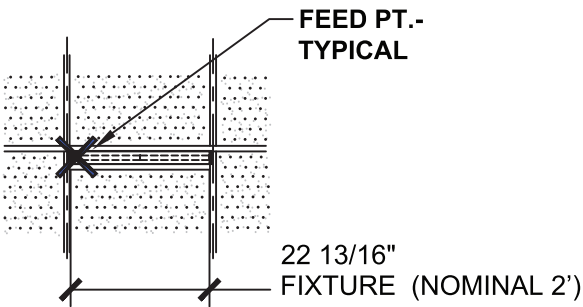


Made in America

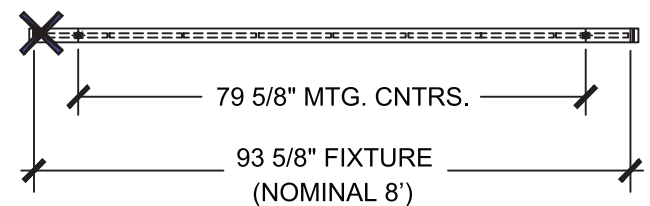
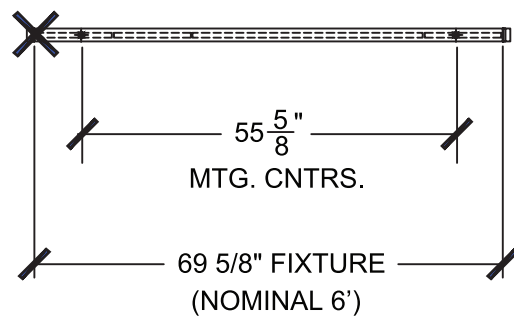
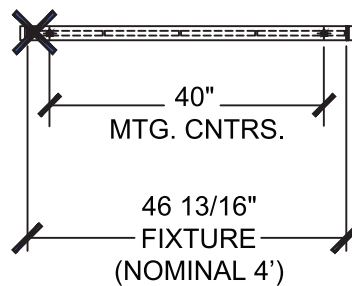
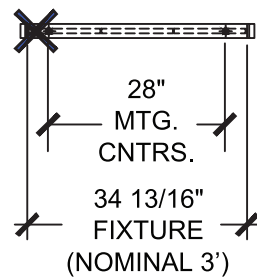
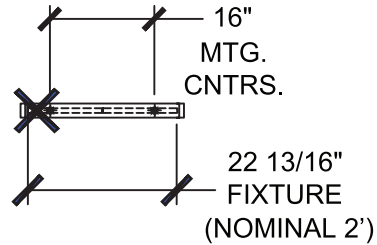
# Standard Fixture Lengths & Mounting Centers

## Microlinea Recessed Series 3 Wet Location - IP54

### RECESSED - GRID CEILINGS



### RECESSED - DRYWALL CEILINGS



FIXTURES MAY BE CONFIGURED INTO CONTINUOUS ROWS OF ANY LENGTH.