

T886LED

SOMA LED CONCRETE BOLLARD

JOB INFORMATION

Type: _____
 Catalog No: _____
 Project Name: _____
 Comments: _____

 Prepared by: _____

T886LED

FEATURES

USE OF PRODUCT

The intended use of this product is for pathways, parking lots, plazas, entrance ways, parks, and as landscape accents.

HOUSING

- Steel-reinforcement pre-cast hollow concrete. Offered in four textures of sandblast finished concrete: smooth, light, medium, and heavy.
- Optional tile installed onto the housing shaft for symbols, logos, or custom signage. (Contact Factory)

LOUVER

Rugged die cast aluminum grills 360° around the bollard with styles offered in horizontal or vertical. The louver finish is thermoset oven-baked powdercoat. Available in standard dark polyester bronze or consult factory for made to order architectural finishes.

CONCRETE FINISH

Available in 8 finishing options or consult factory for made to order finish.

OPTICS

- A 360° distribution pattern is standard. An optional internal "house side" 180° cut-off shield is available.
- Rubber gasketing seals the lens to the housing to prevent entrance of outside contaminants.

LED

High output LEDs offer a minimum estimated operating life of 50,000 hours in 3000K, 3500K, 4000K, or 5000K (standard) with CRI>83. LEDs placed on high performance aluminum heatsink for reduced junction temperatures and extended life.

DRIVER

Durable and long lasting LED driver operates at 120-277V and boasts a 90% power factor at 50 to 60 Hz with 0-10V Dimming Constant Current. Driver protections includes: Output open load, over-current and short-circuit, and over-temperature with auto recovery. -30°C Min Temp. to 40°C Max Temp. Step down transformer may be utilized for 480V or 347V applications.

MOUNTING

- Bollard must be mounted on a concrete base. (Supplied by others)

LISTINGS/COMPLIANCE

- CEC Compliant emergency driver
- CSA - Suitable for wet locations

ANCHOR BASE & BOLT

Four 3/8" by 12" galvanized anchor bolts are supplied, complete with two nuts and washers. The anchor base plate is constructed heavy-duty steel.

B-U-G Rating

Dimension	Wattage	4000K T5 Optic	
8"	10W	460	Lumens
		45	Efficacy
		B0-U2-G1	B-U-G rating
	18W	898	Lumens
		45	Efficacy
		B1-U3-G1	B-U-G rating
30W	1305	Lumens	
	45	Efficacy	
	B1-U3-G1	B-U-G rating	
10"	10W	483	Lumens
		47	Efficacy
		B0-U2-G1	B-U-G rating
	18W	91	Lumens
		5	Efficacy
		B1-U3-G1	B-U-G rating
30W	1370	Lumens	
	47	Efficacy	
	B1-U3-G1	B-U-G rating	
12"	10W	492	Lumens
		48	Efficacy
		B0-U2-G1	B-U-G rating
	18W	943	Lumens
		47	Efficacy
		B1-U3-G1	B-U-G rating
30W	1396	Lumens	
	48	Efficacy	
	B1-U3-G1	B-U-G rating	
16"	10W	506	Lumens
		50	Efficacy
		B0-U2-G1	B-U-G rating
	18W	988	Lumens
		50	Efficacy
		B1-U3-G1	B-U-G rating
30W	1435	Lumens	
	50	Efficacy	
	B1-U3-G1	B-U-G rating	

ORDERING INFO

SERIES	DIMENSION	WATT/LUMENS	VOLTAGE	COLOR TEMPERATURE	LOUVER	CONCRETE	CONCRETE FINISH	LOUVER FINISH
T886LED	8 - 8X8 Dimension	10 - 10W/1050lm	UNV - 120V-277V	30 - 3000K	HC - Horizontal Clear	P - Pyramid	WB - Warm Beige	W - White
	10 - 10X10 Dimension	18 - 18W/1890lm	347 - 347V	35 - 3500K	VC - Vertical Clear	F - Flat	DG - Dusty Green	B - Black
	12 - 12X12 Dimension	30 - 30W/3150lm	480 - 480V	40 - 4000K	HO - Horizontal Opal		GB - Golden Buff	BZ ² - Bronze
	16 - 16X16 Dimension			50 ¹ - 5000K	VO - Vertical Opal		P - Pottery	MTO ³ - Made to order
							AB - Amber Beige	
							B - Black	
							W - White	
							N ² - Natural	

OPTION

- EM - Emergency battery
- CEM - Cold pack emergency battery
- SP10 - Surge protection 10KV

Notes

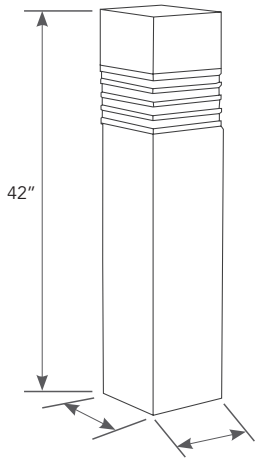
1. Standard color temperature.
2. Standard finish.
3. RAL number required.



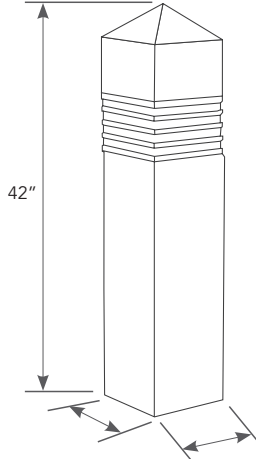
T886LED

SOMA LED CONCRETE BOLLARD

DIMENSIONS



8X8" / 10X10" / 12x12" / 16x16"



8X8" / 10X10" / 12x12" / 16x16"

T886LED

SOMA LED CONCRETE BOLLARD



Warm Beige



Dusty Green



Golden Buff



Pottery



F37 Amber Beige



Black



White

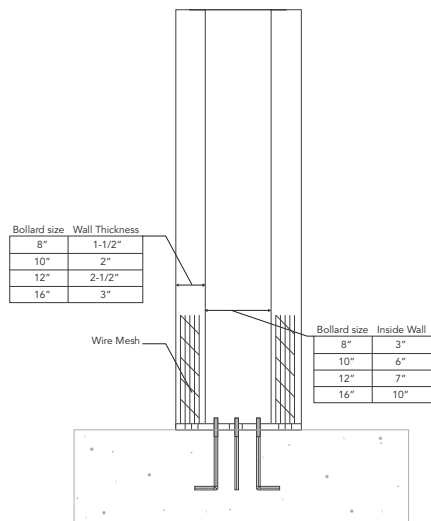


Natural

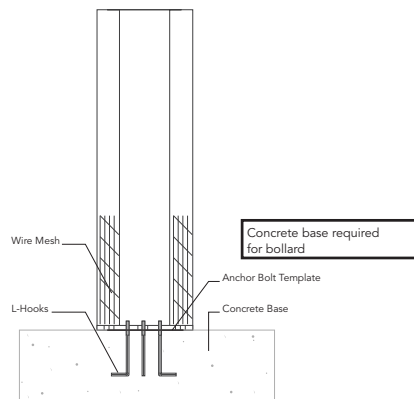
T886LED

SOMA LED CONCRETE BOLLARD

BOLLARD THICKNESS

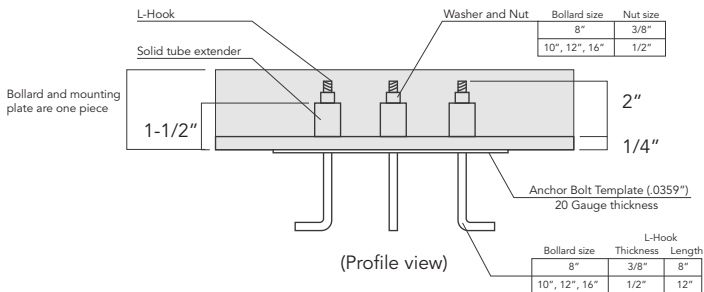


MOUNTING BASE REQUIREMENTS

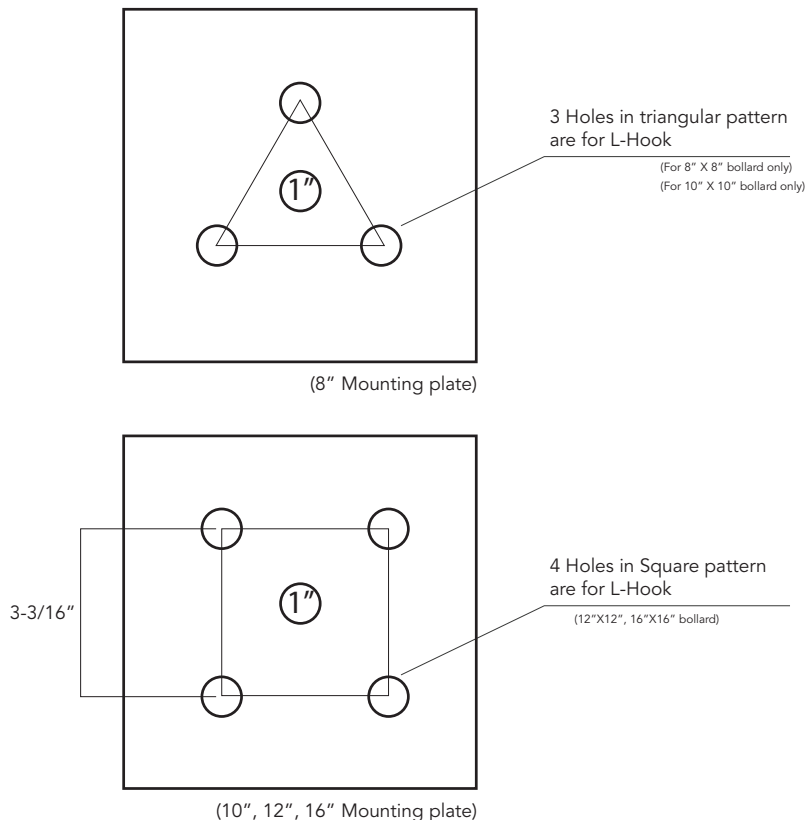


- Mounting to Ground:
- Concrete base at 18" Width and 18" length
 - Bollard is (8", 10", 12", 16") diameter width
 - 4 L-Hooks are attached to bottom plate.
 - L-Hooks must have 2" of thread above the top surface of the mounting plate

MOUNTING PLATE DIMENSION



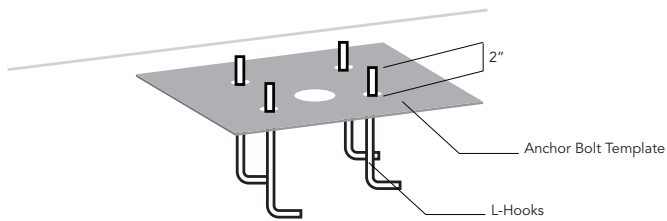
MOUNTING PLATE PATTERN



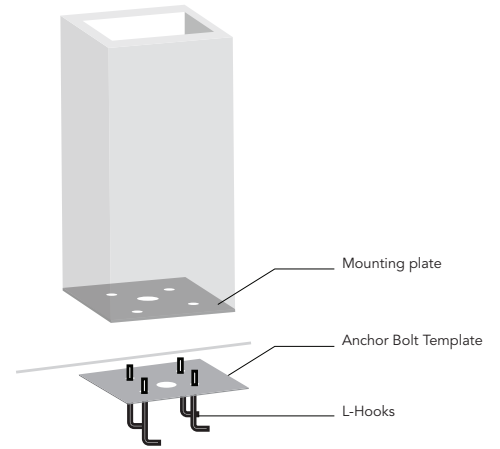
T886LED

SOMA LED CONCRETE BOLLARD

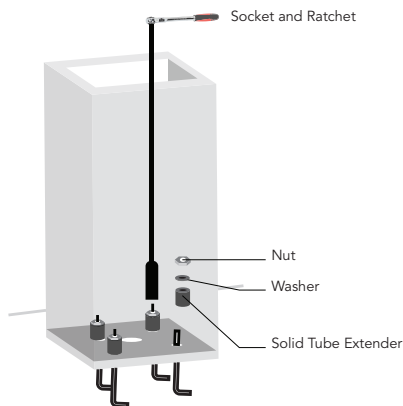
BOLLARD INSTANTION



1. Insert Anchor Bolt Template through four L-Hooks. Two inches shall remain as shown in diagram.



2. Lower the concrete bollard with attached mounting plate through four L-Hooks. Gently lower the bollard to prevent damage.



3. Once the bollard and L-Hooks are aligned, Use the Solid Tube Extender, washer and nuts provided to secure bollard as shown in diagram above.