



T892LED-G2

LED SQUARE BOLLARD WITH LOUVERS IN WATTAGE & COLOR TEMP. SELECTABLE



JOB INFORMATION

Type: _____
 Catalog No: _____
 Project Name: _____
 Comments: _____

 Prepared by: _____

T892LED-G2

FEATURES

USE OF PRODUCT

The intended use of this product is to accentuate landscape areas, pedestrian pathways, and entranceways. It is an excellent source to guide walkways or driveways.

HOUSING

Extruded aluminum housing with flush mounting base and vandal resistant screws.

FINISH

Weather resistant, matt-finished powdercoat process for advanced protection in severe environments over a precise chromate conversion coating. Available in standard dark polyester bronze finish for impact, corrosion, and UV resistance. Consult factory for made to order architectural finishes.

OPTICS

Designed for maximum photometric efficiency and optimum light distribution. Clear polycarbonate lens for increased vandal resistance. One-piece silicon gasket prohibits entrance of outside contaminants. Provides 360° of low level lighting.

LED

LED engine available in 3000K, 3500K, 4000K. Color temperature may be modified in field or preset with locking mechanism. LED Mounted to aluminum heat sink for maximum life output and thermal management.

DRIVER

Durable and long lasting LED driver operates at 120-277V and boasts a 90% power factor at 50 to 60 Hz with 0-10V Dimming Constant Current. Fixture available in four selectable watt packages. WS(7W, 13W, 20W, 26W). Watts may be modified in field. -30°C Min Temp. to 40°C Max Temp. Step down transformer may be utilized for 480V or 347V applications.

MOUNTING

- Mounting kit with anchor bolts are included.
- Internal ballast tray for easy maintenance.
- Bollard must be mounted on a concrete base. (Supplied by others)

LISTINGS/COMPLIANCE

- CEC Compliant emergency drive
- CSA-Suitable for wet locations.



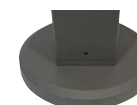
B.U.G. RATING

| Watts | Lumens | B-U-G Rating |
|-------|--------|--------------|
| 7W | 436lm | B0-U1-G1 |
| 13W | 741lm | B1-U2-G1 |
| 20W | 1044lm | B1-U2-G1 |
| 26W | 1225lm | B1-U2-G1 |

GFCI OUTLET



BOLLARD RETROFIT BASE KIT



ORDERING INFO

| SERIES | HEIGHT | WATTAGE | VOLTAGE | COLOR TEMPERATURE | FINISH | GENERATION |
|---------|--|---|---|---|---|-----------------|
| T892LED | 42 - 42" MTO ¹ - Made to order | WS1 - Wattage Selectable (7W,13W, 20W, 26W) 7 - Set at 7 watts 13 - Set at 13 watts 20 - Set at 20 watts 26 - Set at 26 watts | UNV - 120V-277V 347 - 347V 480 - 480V | CTS - Color Temp. Selectable (3000K, 4000K, 5000K) | BZ ² - Bronze MTO ³ - Made to order MGTO ³ - Marin grade made to order | G2 - Generation |

OPTIONS

- PC - Photocell 120-277V
- EM - Emergency battery
- CEM - Cold pack emergency battery
- GO - GFCI Outlet
- BRBK⁴ - Bollard retrofit base kit
- SP10 - Surge protection 10KV

Notes

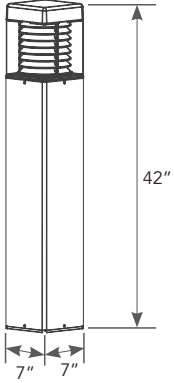
1. MTO Length between 42"-30"
2. Standard finish.
3. RAL number required.
4. Available in bronze or black, Consult factory for additional finished.



T892LED-G2

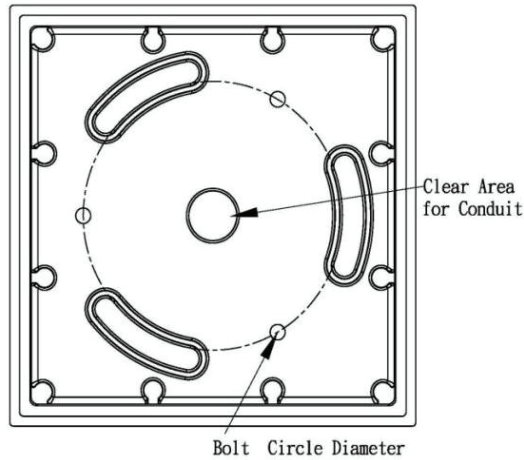
LED SQUARE BOLLARD WITH LOUVERS IN
WATTAGE & COLOR TEMP. SELECTABLE

DIMENSIONS

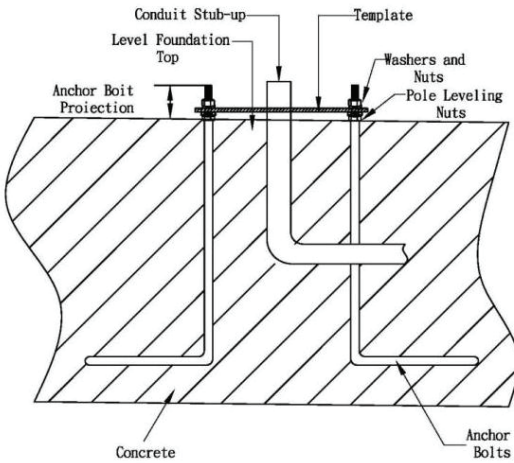


| Bolt Circle Dia. | Base Cover Size | Anchor Bolt Proj | Anchor Bolt Size |
|------------------|---------------------|------------------|-------------------|
| 17/64" | 5-33/64" * 4-53/64" | 1-3/8" | 7-7/8" * 3-15/16" |

Template Orientation:



Pole Anchor Bolt Guide:

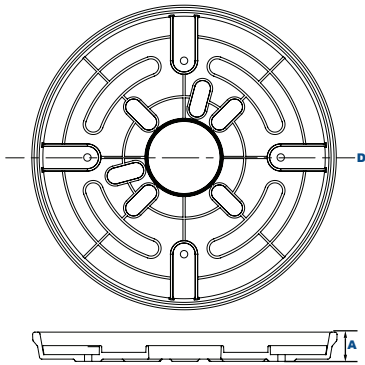


Concrete foundation to be designed according to local soil conditions.

T892LED-G2

LED SQUARE BOLLARD WITH LOUVERS IN WATTAGE & COLOR TEMP. SELECTABLE

BASE DIMENSIONS



Diameter (D): 10-3/4"
Height (A): 1"

BASE COVER DIMENSIONS

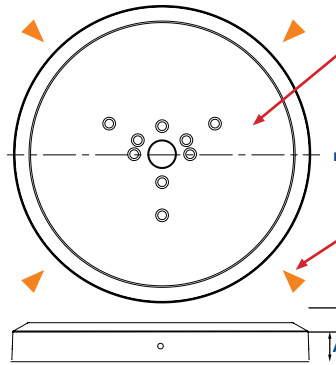


Plate has threaded holes in patterns for each bollard size/shape. Mounting bolts are included. bollard base mounts to plate.

Plate includes 4 set screws on sides at 90° for locking base cover to mounting plate. Fully rotatable.

Diameter (D): 11-1/2"
Height (A): 1-1/2"

BASE KIT INCLUDES

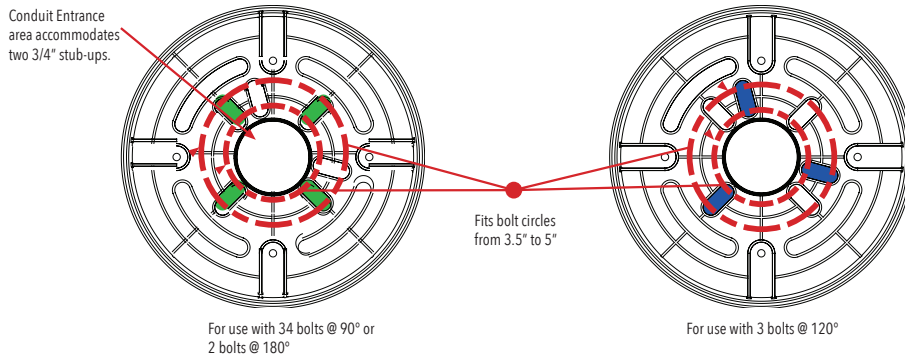
Heavy duty die cast aluminum Anchor Bolt Retrofit Adaptor Plate

- Includes slots for existing anchor bolt mounting, 3@120° or 4@90° or 2@180° (3.5" to 5" diameter bolt circle). Slots can accommodate 1/4" to 3/8" diameter anchor bolts.
- Includes large diameter slots for installing field drilled anchors (not included) in the event that the existing anchor bolt pattern does not fit slots, or anchor bolts are damaged or unusable.
- Includes 4 Stainless Steel leveling bolts with two leveling bubbles at 90° to level base prior to mounting new bollard.
- Center conduit entrance hole designed to accommodate two 3/4" PVC conduits.

Heavy duty die cast aluminum Bollard Mounting Cover Plate

- Includes threaded holes in patterns to match bollard base mounting plates.
- Stainless Steel bolts for mounting bollard base plate.
- 4 Stainless Steel set screws at 90° for securing the cover plate to the adaptor plate. Cover plate can be rotated 360°. Powdercoat finish over chromate conversion coating in Bronze (standard) and available in made to order.

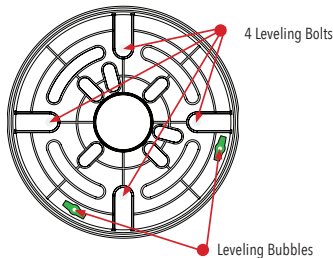
ANCHOR BOLT RETROFIT ADAPTER PLATE BOLT CIRCLES FOR USE WITH EXISTING ANCHOR BOLTS



For use with 34 bolts @ 90° or 2 bolts @ 180°

For use with 3 bolts @ 120°

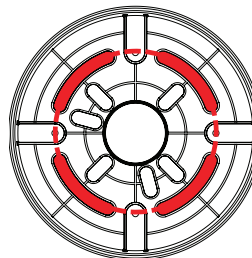
BASE LEVELING AND LEVELS



4 Leveling Bolts

Leveling Bubbles

CIRCLE FOR DRILLED ANCHORS



6.5" bolt circle for Drilled Anchors. Used when existing anchor bolts do not fit 4-bolt or 3-bolt slot or are damaged. these must be cut off and new drilled anchors installed