

Cleanroom KL-R Troffers-5DQS

2x2 and 2x4 High Efficiency LED Recessed Luminaires



- **Rated IP66**
- **Suitable for ISO 3-9 Cleanspaces**
- **Suitable for 209E Class 1-100,000 Cleanspaces**
- **ETL listed for Wet Locations**
- **One piece overlapping doorframe**
- **Robotically seam welded housing**
- **0-10V 1% dimming comes standard**
- **Recessed Housing suitable for Tbar Grid AND Hardlid Installations**
- **BAA Compliant & Made in the USA by a Family Owned US Corporation**
- **5 Day Quick Ship For Orders Under 25 Fixtures**



DISCLAIMER: Although KURTZON has prepared the information contained in this document with all due care, KURTZON does not warrant or represent that the information is free from errors or omission. While the information is considered to be true and correct at the date of publication, changes in circumstances after the time of publication may impact on the accuracy of the information. The information may change without notice and KURTZON is not in any way liable for the accuracy of any information printed and stored or in any way interpreted or used.



ORDERING GUIDE

Series	Material	Size	Row Qty.	LED Type	CCT/CRI	Voltage	Options	Quick Ship
KL-R				LEDR				5DQS
Series	Material	Size	Row Qty.	Light Source		Voltage	Options	Quick Ship
				LED Type	CCT/CRI			
KL-R	3 White 430 SS Hsg. & Polished 304 SS Door	2x2 2' x 2' Housing	2	LEDR	83 CRI:	120V	EM10 10W Integral LED EM (Specify Input Voltage)	5DQS (5-Day Quick Ship)
	OR		3		835 3500K		EM20 20W Remote LED EM (Specify Input Voltage)	
	4 White AL Hsg. & Polished 304 SS Door	2x4 2' x 4' Housing	4		840 4000K	UNV	PxL Programmed to User Specified Lumen Value.	
	5 White AL Hsg. & White AL Door					PxW Programmed to User Specified Wattage Value.		
	7 White AL Hsg. & White CRS Door					10KV 10KV Parallel Surge Protection (One Supplied Per Circuit)		
				GG 1/8" Thick Grid Gasket (Provided Loose)				

Ordering Notes, If Applicable

Cleanroom KL-R Troffers-5DQS

1x4, 2x2 and 2x4 High Efficiency LED Recessed Luminaires

SPECIFICATIONS

HOUSING: One piece, hole free, robotically seam welded housing has flattened knockouts for a superior seal. Housings are available in .040" 3003 Aluminum or 20Ga 430 Stainless Steel.

DOOR FRAME: One piece door frame with welded corners overlaps the fixture allowing the NSF approved microcellular gasket to seal to the mounting surface. Door frame is hinged by aircraft cables and is supplied with captive stainless steel flush head screws to allow easy wiping of the surface. Available in .050" 3003 Powder coated Alum., 20Ga 304 Polished SS, or 18Ga Powder coated CRS.

GASKETS: NSF Listed closed cell microcellular extruded KleanLock SealPro gasket with vulcanized corners making a one-piece oil and solvent resistant gasket system. GG option provides a loose 1/8" thick adhesive backed gasket intended to adhere to the top face of a suspended grid ceiling for grid profiles that do not already have gasket on them.

OPTICS: Standard P12 prismatic acrylic lens is provided with an inverted lens so the smooth side faces the room for easy cleaning. Other optics may be available, consult factory for more information or options not listed.

LEDS: Commercially available in a wide variety of Color Temperature (CCT), FLUX, and CRI. Highly efficient and consistent color maintained to 3 SDMC for color critical applications. B50/L70 and compliant with Zhaga recognized hole patterns. Consult factory for LED options or configurations not listed below.

DRIVERS: Standard Universal Voltage Class 2 drivers are 0-10v Dimmable to 1%, and rated -20C (-4F). They come with at least 2.5Kv surge protection, have less than 10% THD at max load, Ballast Factor Greater than .95 and are programmable to match specific lumen or wattage requirements. Drivers with higher input voltage ratings are available, consult factory for driver specifications.

REFLECTOR: Die formed metal with high reflectance white polyester powder coat finish. Typical reflectivity 92%.

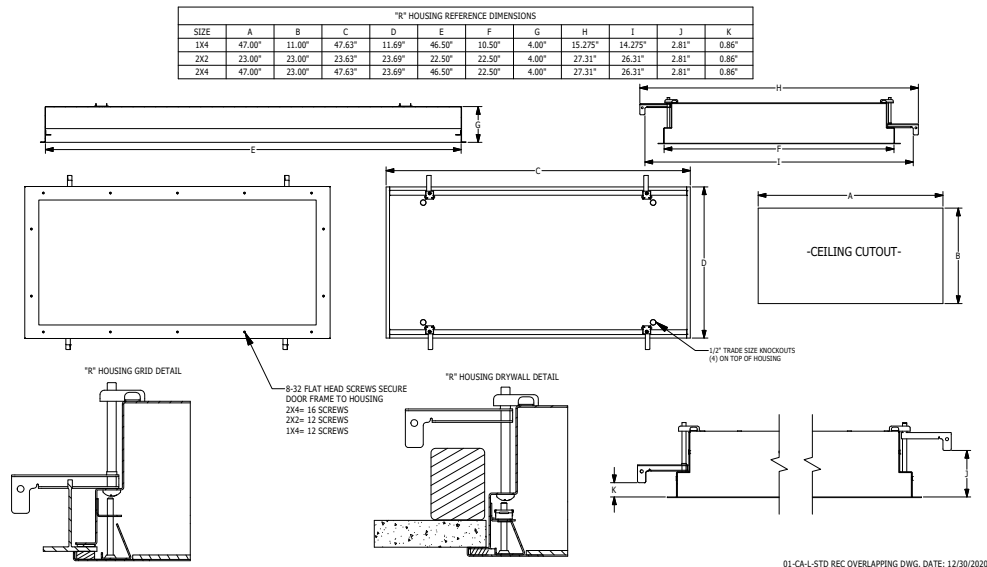
INSTALLATION RECESSED: Suitable for recessed Non-IC installation into covered ceilings. Fixtures are supplied with .875" flattened knockouts for supply entry. Recessed housings have (4) swing out toggle arms that are used to draw the fixture in to the ceiling for hard lid installation without the need for a yoke hanger. The toggle arm adjuster bolts are accessible from the room side of the luminaire and the actual toggles can be used as means of establishing a seismic support for lay in ceiling installations. Confirm ceiling compatibility with dimension drawings below.

FINISH: Stainless steel door frames are satin polished. All other materials are provided with gloss high reflectance white polyester powdercoat with 1000hr salt spray test per ASTM B117.

LISTINGS: IP66 rated for dust and water ingress. Suitable for 1700 PSI high pressure hosedowns. ETL listed per UL_1598 for wet locations. Chicago Plenum Rated. Certified ISO-14644-1 for class 3 through class 9 cleanspaces. Certified Fed Std 209E for Class 1 through Class 100,000 cleanspaces. NSF2 Listed for non-food zones & Splash Zones. Drivers and LEDs are covered by a 5 year warranty, the remaining fixture is covered by a 10 year warranty. This product is Buy American Act (B.A.A.) compliant.

5-DAY QUICK SHIP POLICY: Quantity restriction of 25 fixtures. Once PO is received by 12:00 PM CST, shipping will occur within 5 business days. Standard freight applies. Expedited shipping to be paid by customer.

PRODUCT DRAWINGS



Cleanroom KL-R Troffers-5DQS

1x4, 2x2 and 2x4 High Efficiency LED Recessed Luminaires

ENERGY DATA

SURFACE & RECESSED OVERLAPPING LED TROFFER (APPROX ¹ LUMENS DELIVERED)						
ENCLOSURE SIZE	LIGHT PACKAGE	83 CRI (3000K - 5000K)				STANDARD DIMMING
		LUMENS	WATTS ²	EFFICACY ³	MAX AMB TEMP	
2X2	2LEDR	3,165	29	109	45°C (113°F)	0-10V 1%
2X2	3LEDR	4,747	42	113	45°C (113°F)	0-10V 1%
2X2	4LEDR	6,328	55	115	45°C (113°F)	0-10V 1%
2X2	EM10	1090-1210	4	NA	40°C (104°F)	NA
2X4	2LEDR	6,864	55	125	45°C (113°F)	0-10V 1%
2X4	3LEDR	10,295	83	124	45°C (113°F)	0-10V 1%
2X4	4LEDR	13,726	111	124	45°C (113°F)	0-10V 1%
2X4	EM10	1230-1290	4	NA	40°C (104°F)	NA

- ¹ DELIVERED LUMEN DATA IS EXTRAPOLATED FROM MEASURED DATA @25C WITH NO EXTRA OPTIONS. VARIANCES WILL OCCUR WHEN OPTIONS ARE CHOSEN
- ² WATTAGE IS MEASURED WITH 4000K SELECTION @ 120VAC AND Tambient = 25C. WATTAGES MAY VARY WITH ALTERNATE CONFIGURATIONS
- ³ EFFICACY CALCULATED USING 4000K CCT DATA.
- ⁴ MAX AMBIENT TEMP RATING, NON-IC INSTALLATION. TEMP RATING MAY VARY WITH SPECIFIED DRIVERS OR ANY NON-STANDARD SELECTION
- ⁵ 90 MINUTE 10W EMERGENCY DRIVER; LUMENS CALCULATED BASED ON FIXTURE EFFICACY.

PHOTOMETRICS

P12 PRISMATIC

Key:

