

# Medical Surgical Downlight: ML-SBD-LED-5DQS

Sealed Filtered LED Recessed Downlight with 6" Aperture



- For Medical Patient, Exam, & Operating Rooms
- IP65 Rating
- Provided With Line Voltage Filter for Conducted Emissions
- Up to 3,400 Lumens Delivered
- B.A.A. Compliant & Made in the USA by a Family Owned US Corporation
- 5 Day Quick Ship For Orders Under 25 Fixtures



DISCLAIMER: Although KURTZON has prepared the information contained in this document with all due care, KURTZON does not warrant or represent that the information is free from errors or omission. Whilst the information is considered to be true and correct at the date of publication, changes in circumstances after the time of publication may impact on the accuracy of the information. The information may change without notice and KURTZON is not in any way liable for the accuracy of any information printed and stored or in any way interpreted or used.

## ORDERING GUIDE

Series	Material	Size	LED Type	CCT/CRI	Voltage	Baffle	Door (Trim)	Options	Quick Ship
ML-SBD	4	8		840	UNV				5DQS
Series	Material	Size	Light Source		Voltage	Baffle	Door (Trim) Finish	Options	Quick Ship
			LED Type	CCT/CRI					
ML-SBD	4 Non-Magnetic	8 8" Housing	DLM15 1500LM Package	80 CRI:	UNV 120V-277V*	WB White Grooved Baffle	WT White Painted Trim	10KV 10KV Parallel Surge Protection (One Supplied Per Circuit)	5DQS (5-Day Quick Ship)
			DLM20 2000LM Package	840 4000K		SR Specular Reflector	ST Polished Stainless Trim	EM7 Remote Mount 7W Battery Pack (Specify Input Voltage)	
			DLM30 3000LM Package						

Ordering Notes, If Applicable

# Medical Surgical Downlight: ML-SBD-LED-5DQS

Sealed Filtered LED Recessed Downlight with 6" Aperture

## SPECIFICATIONS

**HOUSING:** Stainless steel body and spun aluminum housing and plaster frame.

**DOOR FRAME:** Aluminum or stainless steel formed with continuous lens hold-down system and screwless entry. Cleanroom style construction with a smooth cleanable surface with no crevices.

**GASKETS:** One piece gasket located at interface of door to housing silicone seals the door to the lens.

**REFLECTOR:** Supplied with a wide variety of baffles and reflectors. See options for availability.

**OPTICS:** Clear non-prismatic nominal 1/8" thick polycarbonate lens is standard and will be mechanically secured and silicone sealed to door frame.

**LED:** LEDs are 80 CRI, 4000K CCT and are Available in different lumen outputs up to 3400 Lm delivered. Integrated heatsink maintains thermal efficiency and prolong the life of the light engine.

**ELECTRICAL:** Integrated constant current static low voltage DC commercially available driver designed specifically for LED array. Driver has 0-10V dimming control to 1%.

**INSTALLATION:** Suitable for recessed Non-IC Installations into covered ceilings. Four adjustable L-brackets allow for seismic support and secure attachment to metal T-Bars, joists or structural metal framing. Sealed 1/2 inch trade size knockouts for wiring. Suitable for 1, 1.5 and 2 inch T-bar widths as well as drywall or plaster ceilings. Suitable for NON-IC installation.

**FINISH:** Antimicrobial white polyester powder coat on doorframe surface. Stainless steel trims are satin polished.

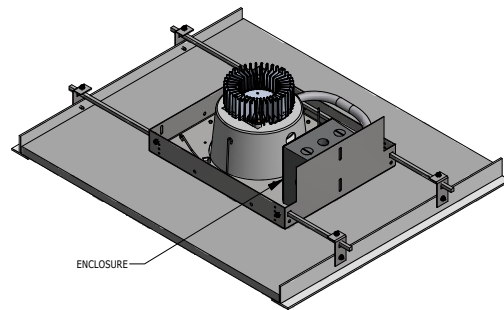
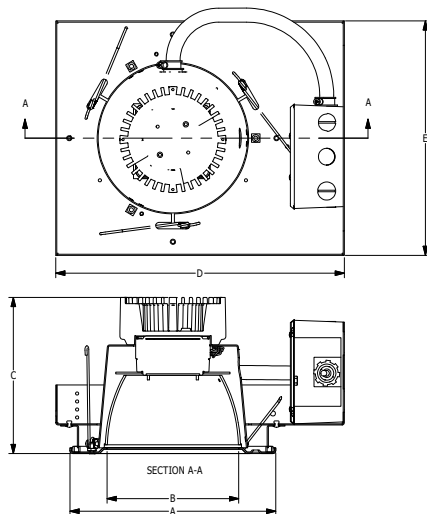
**LISTINGS:** ETL Listed for Wet Locations. Suitable for non-IC installation. IP-65 dust and water jet resistance. IBEW Union Label. Compliant with MIL-461F for conducted and radiated emissions. This product is Buy American Act (B.A.A.) compliant.

**5/10 YEAR WARRANTY:** The driver(s), LED's and EM packs are covered by a five (5) year warranty. The remaining fixture is covered by a ten (10) year warranty. See warranty statement at kurtzon.com for complete details.

**5-DAY QUICK SHIP POLICY:** Quantity restriction of 25 fixtures. Once PO is received by 12:00 PM CST, shipping will occur within 5 business days. Standard freight applies. Expedited shipping to be paid by customer.

## PRODUCT DRAWINGS

DOWNLIGHT REFERENCE DIMENSIONS						
MODEL	DIM A	DIM B	DIM C	DIM D	DIM E	DIM F
SBD/IBD	9.00"	5.75"	6.85"	12.65"	10.25"	26.00"



12-AA-L-DOWNLIGHT DWG DATE: 4/11/2107

# Medical Surgical Downlight: ML-SBD-LED-5DQS

Sealed Filtered LED Recessed Downlight with 6" Aperture

## ENERGY DATA

SEALED LED DOWNLIGHT						
LIGHT PACKAGE	CRI	DELIVERED LUMENS (Lm) <sup>1</sup>	WATTAGE (W) <sup>2</sup>	EFFICACY (LM/W)	DIMMING AVAILABILITY	MAX AMBIENT TEMP (°C) <sup>3</sup>
DLM15	80+	1,536	18	85.3	0-10V 1%	40°C (104°F)
DLM20	80+	2,117	21	100.8	0-10V 1%	40°C (104°F)
DLM30	80+	3,454	42	82.2	0-10V 1%	40°C (104°F)
EM7	NA	440-570Lm	4	NA	0-10V 1%	35°C (95°F)

- 1: DELIVERED LUMEN DATA IS EXTRAPOLATED FROM MEASURED DATA @25C WITH NO EXTRA OPTIONS.
- 2: WATTAGE IS MEASURED @ 120vAC AND Tambient = 25C. WATTAGES MAY VARY AND WHEN OPTIONS ARE SELECTED
- 3: MAX TEMP RATING IS WITH NO OTHER OPTIONS SELECTED.(NON-IC)

## PHOTOMETRICS

### CLEAR LENS

Key:

