

TruGroove wall, suspended, & surface is driving performance beyond the edge. Innovative optics deliver exceptional uniformity and wide row spacing from a 3" aperture continuous line of light. An extended family and refined design are perfect for lighting any professional space.

TruGroove wall now includes AccuRender technology for the highest color quality at the highest efficacy

Project: _____
 Location: _____
 Cat.No: _____
 Type: _____
 Line ID: _____ Qty: _____
 Notes: _____

Ordering guide ¹²

example: example: 2925L93548NW08DE1NNBD, WA-48

Family	Version	Distribution	Source	CRI/CCT ^{1,5}	
29	2		L		
29 TruGroove	2 Wall	1 Direct 3 Indirect 5 Indirect / Direct 6 Direct / Indirect	L LED	950 CRI 90, 5000K 940 CRI 90, 4000K 935 CRI 90, 3500K	930 CRI 90, 3000K 927 CRI 90, 2700K
Lumens ¹		Optics (Direct/Indirect)		Run Length ⁷	
40 4000 lm/4ft 30 3000 lm/4ft 22 2200 lm/4ft 15 1500 lm/4ft		WN Performance Asymmetric Flush MesoOptics Lens (Dn)		02 2ft 04 4ft 06 6ft 08 8ft XX Continuous run in 2ft increments (please specify length) ⁷	
48 4800 lm/4ft 32 3200 lm/4ft		NW Performance Asymmetric Lens (Up)			
68 6800 lm/4ft (70% Up) 52 5200 lm/4ft (60% Up) 46 4600 lm/4ft (70% Up) 35 3500 lm/4ft (60% Up)		WW Performance Asymmetric MesoOptics Lens (Dn) Performance Asymmetric Lens (Up)			
68 6800 lm/4ft (60% Down) 52 5200 lm/4ft (60% Down) 46 4600 lm/4ft (70% Down) 35 3500 lm/4ft (60% Down)					
Voltage	Driver	Circuit ^{2,10}		Wiring Option ^{2,10}	System / Controls ⁹
D UNV 120-277V 3 347V ³	E Advance Xitanium 0-10V (1% Dim)	1 Single Circuit C Single Circuit + 1 Thru Wire (BP Trigger) ¹¹ F Single Circuit + 4 Thru Wires (Mains & Dimming) ¹¹ G Dual Circuit (Up/Down) L Dual Circuit (Up/Down) + 1 Thru Wire (BP Trigger) ¹¹ J Dual Circuit + 4 Thru Wires (Mains & Dimming) ¹¹		N None B Battery Pack ³ E Aux. Wiring ⁶ G GTD ³ (please specify voltage)	NN None RA Interact Pro RF node, enables wireless connected lighting control ^{4, 14}
D UNV 120-277V	D Advance Xitanium DALI (5% Dim) ³ H Lutron EcoSystem LDE1 (<1% Dim, Fade-to-Black) ³				
D UNV 120-277V	S Advance Xitanium SR (1% Dim) ³	1 Single Circuit C Single Circuit + 1 Thru Wire (BP Trigger) ¹¹		N None B Battery Pack ³ R UL924 Sensor Bypass Relay ¹³	
L Low Voltage (48-54V DC)	P PoE Lighting Controller ^{4, 15}	1 Single Circuit		N None B Battery Pack ³	NN None
Finish	Options				Mount Type
W Standard White T Titanium Silver B Black G Graphite Grey C Custom (please specify color)	D Dust Cover (2923 Indirect version only)				WA Wall Mount

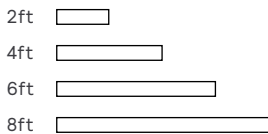
DLC Note: Not all product variations listed on this page are DLC qualified. To ensure that a specific model is qualified, visit www.designlights.org/search

TruGroove wall

Options and dimensions

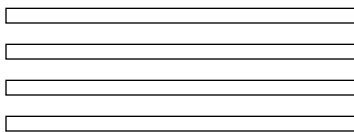
Standalone

Keep it simple with standalone modules, available in 4 standard lengths (consult Ledalite for custom lengths).



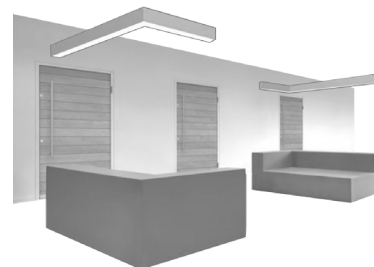
Continuous Run

Continuous Run in 2ft increments (enquire about smaller increments)



Patterns

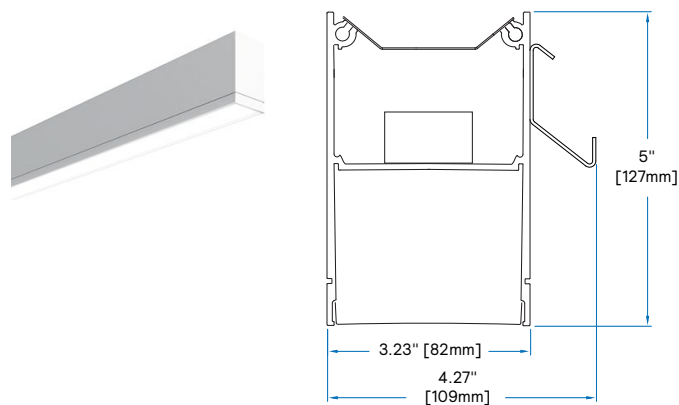
Seamlessly create any pattern imaginable. Contact Ledalite for corners and intersections.



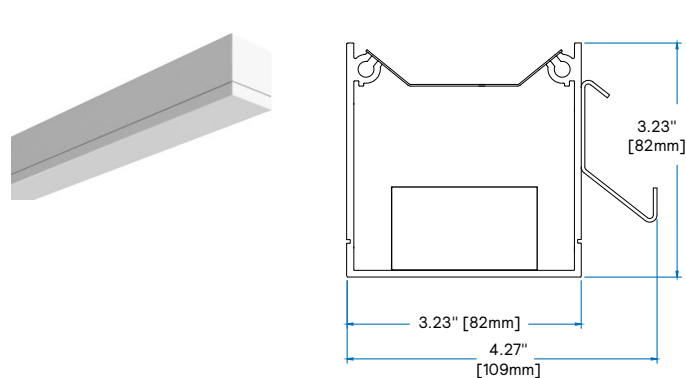
Flush lens

TruGroove wall with 3" wide Flush MesoOptics or Silk lens.

Direct & Direct/Indirect



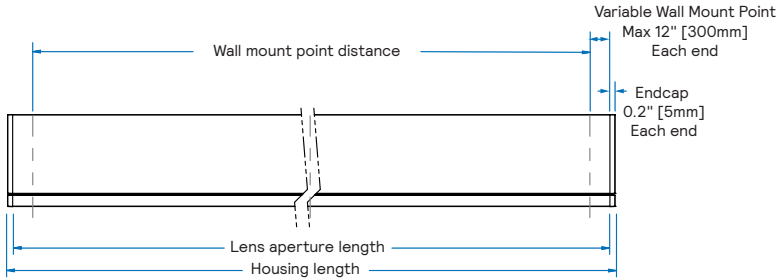
Indirect



TruGroove wall

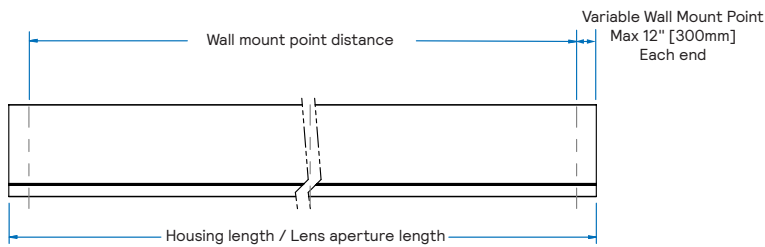
Side Views

Standalone



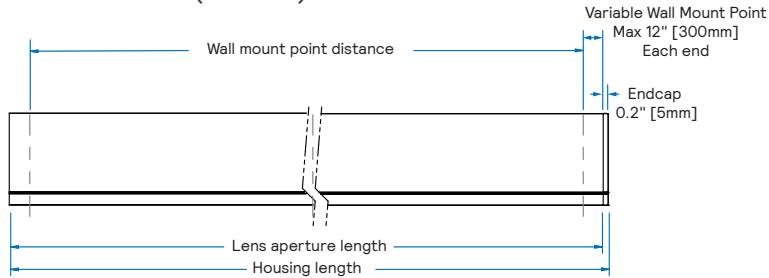
Nominal	Housing	Lens Aperture	Wall Mount Point Distance
2ft	24.4" [620mm]	24.0" [610mm]	Min 2, within 12" of extruded housing ends
4ft	48.4" [1230mm]	48.0" [1219mm]	Min 2, within 12" of extruded housing ends
6ft	72.4" [1840mm]	72.0" [1829mm]	Min 3, within 12" of ends of extruded housing and one centrally located within 12" of center point.
8ft	96.4" [2449mm]	96.0" [2438mm]	Min 3, within 12" of ends of extruded housing and one centrally located within 12" of center point.

Continuous Run (Mid-run)



Nominal	Housing	Lens Aperture	Wall Mount Point Distance
2ft	24.0" [610mm]	24.0" [610mm]	Min 2, within 12" of extruded housing ends
4ft	48.0" [1219mm]	48.0" [1219mm]	Min 2, within 12" of extruded housing ends
6ft	72.0" [1829mm]	72.0" [1829mm]	Min 3, within 12" of ends of extruded housing and one centrally located within 12" of center point.
8ft	96.0" [2438mm]	96.0" [2438mm]	Min 3, within 12" of ends of extruded housing and one centrally located within 12" of center point.

Continuous Run (End-run)



Nominal	Housing	Lens Aperture	Wall Mount Point Distance
2ft	24.2" [610mm]	24.0" [610mm]	Min 2, within 12" of extruded housing ends
4ft	48.2" [1219mm]	48.0" [1219mm]	Min 2, within 12" of extruded housing ends
6ft	72.2" [1829mm]	72.0" [1829mm]	Min 3, within 12" of ends of extruded housing and one centrally located within 12" of center point.
8ft	96.2" [2438mm]	96.0" [2438mm]	Min 3, within 12" of ends of extruded housing and one centrally located within 12" of center point.

TruGroove wall

Specifications

Optical System

Direct hemisphere: Light emitted from a linear array of downward-facing LEDs is laterally redirected using optical microstructures embedded in a layer of MesoOptics DX film to generate an optimal asymmetric distribution and a uniform continuum of light.

Indirect hemisphere: White light emitted from a linear array of upward-facing LEDs is shaped into a homogeneous, wide-throw low peak angle asymmetric distribution using an engineered light guide panel.

Housing

Post painted precision aluminum extrusion.

Endcaps

Diecast flat aluminum endcaps with integral groove to match housing.

Finish

High quality powder coated, available in standard Matte White, Black, Titanium Silver or Graphite Grey. TruGroove can also be specified in any custom color upon request for a one-time setup charge. Optional sensors (such as Interact Pro) available in white only.

Mounting

Wall: A hidden steel rail and bracket system attaches to the existing structure and supports housings close to the wall. Mount positioning is fully variable along the modules to accommodate site conditions, spaced up to 4-1/2' on center and within 12" of an end or joint.

Joints

Self-aligning joining system with hands-free pre-joining wire access.

Weight

Maximum 4.1lbs/ft (wall)

Electrical

Fixtures are factory pre-wired to section ends with quick-wire connectors and tested for all circuits and backup battery packs. LED boards and drivers are easily field replaceable with access from below the ceiling.

Standard Drivers

Advance Xitanium 0-10V, 1% Dimming.
Advance Xitanium DALI, 5% Dimming.
Advance Xitanium Sensor Ready, 1% Dimming.
PoE Lighting Controller (for PoE tunable white).
Lutron EcoSystem LDE1, 1% Dimming with Soft-On and Fade-to-Black.
Class 2 rated output. Consult Ledalite for other available drivers.

Standard Battery Packs

Bodine Battery Pack, 90 min, 10W, Class 2 rated output.
Lumen output = 10W x luminaire efficacy x 1.1. Typical output ~1200lm.

PoE Battery Pack, 90 min, 6W, Class 2 rated output.
Lumen output = 6W x luminaire efficacy. Typical output ~650lm.

Lumen Maintenance

LEDs have been tested by the manufacturer in accordance with IESNA LM-80-15. At an ambient temperature of 25°C, the LED lumen maintenance expectation according to IES TM-21-11 is:
 $L_{80}(10k) > 60,000$ hours (Reported methodology).

Source Color

LEDs rated for color rendering of:
 $CRI R_g \geq 90, R_g \geq 50, G_g \geq 97, C_g \geq 90$
IES TM-30-18: $R_f \geq 90, R_{f,hl} \geq 89, R_g \geq 99, R_{cs,hl} \geq -5\%$

SPD and TM-30-18 reports available upon request

Fixture to fixture color accuracy within:
2 SDCM for Static White luminaires

Approvals

Certified to UL, IES & CSA Standards.

Select TruGroove configurations contribute toward satisfying features L03, L04, L06, L07 and L08 under the WELL v2 Building Standard®.

Environment

Rated for dry or damp locations in operating ambient temperatures of 0-25°C (32-77°F).

Many luminaire components, such as reflectors, refractors, lenses, and LEDs are made from various types of plastics which can be adversely affected by airborne contaminants. If sulfur-based chemicals, petroleum-based products, cleaning solutions, or other contaminants are expected in the intended area of use, consult factory for compatibility. Damage caused by sulfur, chlorine, petroleum-based solution or other contaminants are not covered under warranty. Not suitable for natatorium environments.

Warranty

Five-year luminaire limited warranty including LED boards and driver:
www.signify.com/warranties

TruGroove wall

Wireless Controls Options

Radio only sensor (RA):

- Integral RADIO only sensor simply enables wireless mesh connectivity to the luminaire without any occupancy or daylight sensing.
- Ideal for applications where sensing functionality is managed by other Interact devices and the luminaire only needs to have wireless connectivity.
- Interact Pro includes an App, a portal and a broad portfolio of wireless luminaires, lamps and retrofit kits all working on the same system.
- Startup is implemented via Interact Pro App (Android or iPhone) & Bluetooth connectivity. The App provides flexibility to choose between a gateway or non-gateway mode for setup.
- Setup with the gateway requires wired internet access to the gateway. It is possible to add a gateway at a later point.
- Prepare project configuration steps remotely, identify and group devices together onsite.
- Compatible with UID8451/10 wireless dimmer switch, SWS200 wireless scene switch, wireless Occ sensor (OCC SENSOR IA CM IP42 WH 10/1) and wireless Day/Occ sensor (OCC MULTI SENSOR IA CM WH 10/1).
- For more information on Interact Pro visit:
www.interact-lighting.com/interactproscalablesystem

Emergency Options (R):

- Power Sensing (Factory default) – Recommended
- UL924 option requires unswitched power sense line, absence of voltage on the normal circuit triggers luminaire to 100% output.
- Power Interruption Detection (Field option)
- Detects AC power interruption >30ms triggers 90 minute emergency mode with luminaire at 100% output.

Interact Office Wired PoE (IO & SB):

- PoE based IoT connected lighting solution for large enterprises that span across multiple floors, buildings and require multiple gateways.
- Use Interact software and insights to increase building efficiency, achieve building wide integration and optimize space through occupancy analytics.
- Optional integral emergency controller and battery pack provides backup lighting in the case of a power outage. Test switch and indicator light mounted on the chassis.
- Emergency battery has a 3 month pre-installed shelf life, and must be stored and installed in environments of -20°C to 30°C (-4F to 86F) ambient, and 45-85% relative humidity.
- For more information on Interact Office Wired visit:
www.interact-lighting.com/office

Note: Signify Interact Office Luminaires are not sold individually and are only compatible with Signify's Interact Office control system & software. The system requires a compatible back-end IT infrastructure for normal operations, please consult your Signify representative for additional information.

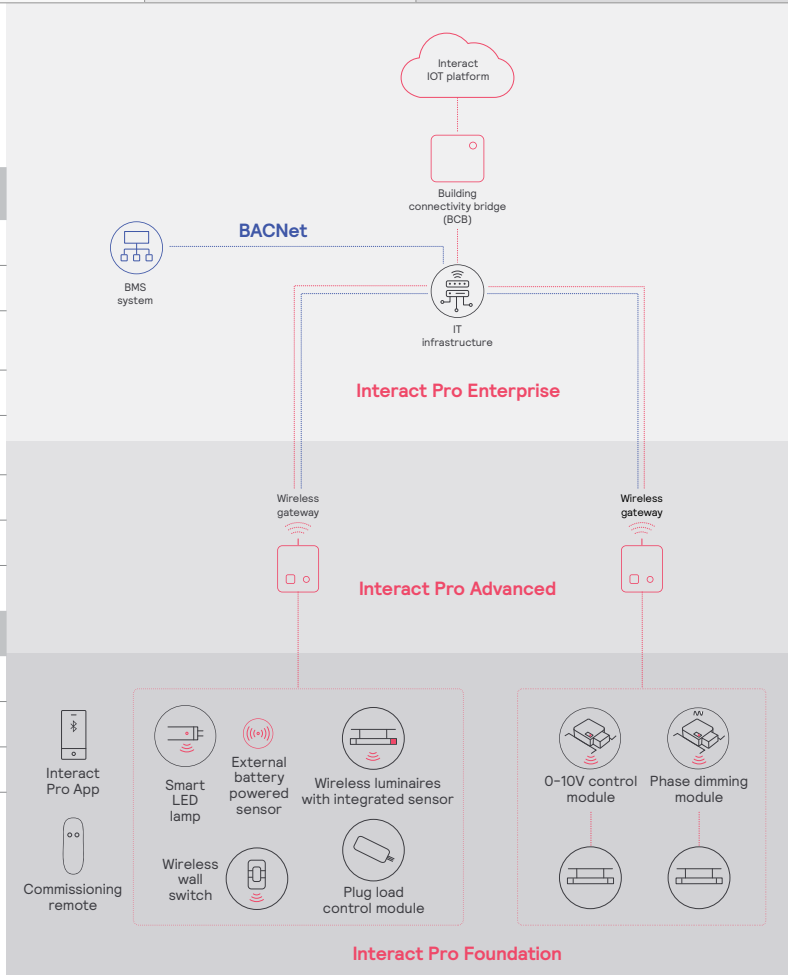
TruGroove wall

Interact Pro scalable system			
	Foundation	Advanced	Enterprise
Dimming, grouping, and zoning	✓	✓	✓
Bluetooth and ZigBee enabled	✓	✓	✓
Motion sensing and daylight harvesting	✓	✓	✓
Integration with 0-10V and phase dimming fixtures	✓	✓	✓
Code compliance	✓	✓	✓
Granular dimming and dwell time	✓	✓	✓
Energy reporting and monitoring		✓	✓
Scheduling		✓	✓
Demand response		✓	✓
BMS integration (BACnet)			✓
Floor plan visualization			✓
IoT sensors for wellness			✓
IoT Apps for productivity			✓

Currently supported maximum system size

To be able to design the lighting system correctly for the customer, it is important to know the prime characteristics of the system, its possibilities and limitations.

System level	
Total number of gateways	Unlimited
Total number of devices	200 per network
• luminaires with integrated sensors	150
• smart TLEDS	150
Total number of ZGP devices (sensors and switches)	50
• sensors	30
• switches	50
• zones and groups	64
Group level	
Recommended number of lights	40 (recommended 25)
Number of ZGP devices	5
Number of scenes	16



TruGroove wall

Colorimetry

TruGroove wall (29xx) AccuRender Static White

Nominal CRI & CCT		CRI 90, 2700K	CRI 90, 3000K	CRI 90, 3500K	CRI 90, 4000K	CRI 90, 5000K
CIE 013.3-1995 ¹	CRI R_a	94	93	93	93	93
	R_9	55	57	59	64	68
	G_a	99	99	99	99	99
	C_9	93	93	93	93	94
IES TM-30-18 ²	R_f	92	91	91	91	90
	R_{f,h_1}	90	90	90	91	89
	R_g	100	100	99	100	100
	R_{cs,h_1}	-6%	-5%	-6%	-5%	-5%
MDER ³		0.45	0.51	0.58	0.65	0.81

1. Color Rendering Index (CRI Ra) and Strong Red (R9) are calculated in accordance with CIE 013.3-1995. Color Gamut index (Ga) and red chroma Index (C9) are CIE based properties using the Global Lighting Association's calculation tool.

2. Fidelity Index (Rf), Red Fidelity Index (Rf,h1), Gamut Index (Rg), and Red Local Chroma Shift (Rcs,h1) are calculated in accordance with IES TM-30-18.-18.

3. Melanopic Daylight Efficacy Ratio (MDER) is the measure for "spectral melanopic efficiency" as defined in CIE S 026-2018.

TruGroove wall

Photometry

Direct (2921) Performance Asymmetric Flush MesoOptics Lens – WN

Click "PDF" or "IES" text to download

Nominal CRI & CCT		CRI 90, 2700K					CRI 90, 3000K					CRI 90, 3500K					CRI 90, 4000K					CRI 90, 5000K				
Nominal Lumen Package (lm/4ft)	Watts	Flux (lm/4ft) ¹	Efficacy (LPW) ¹	UGR ²	Photometry Report	IES File	Flux (lm/4ft) ¹	Efficacy (LPW) ¹	UGR ²	Photometry Report	IES File	Flux (lm/4ft) ¹	Efficacy (LPW) ¹	UGR ²	Photometry Report	IES File	Flux (lm/4ft) ¹	Efficacy (LPW) ¹	UGR ²	Photometry Report	IES File	Flux (lm/4ft) ¹	Efficacy (LPW) ¹	UGR ²	Photometry Report	IES File
4000	42.0	3,434	81.8	23.2	PDF	IES	3,532	84.1	23.3	PDF	IES	3,669	87.4	23.4	PDF	IES	3,721	88.6	23.5	PDF	IES	3,804	90.6	23.5	PDF	IES
3000	32.9	2,747	83.5	22.4	PDF	IES	2,825	85.9	22.5	PDF	IES	2,925	88.9	22.6	PDF	IES	2,971	90.3	22.7	PDF	IES	3,039	92.4	22.8	PDF	IES
2200	22.2	1,854	83.5	21.0	PDF	IES	1,908	85.9	21.1	PDF	IES	1,969	88.7	21.3	PDF	IES	2,003	90.2	21.3	PDF	IES	2,047	92.2	21.4	PDF	IES
1500	14.7	1,247	84.8	19.7	PDF	IES	1,286	87.5	19.8	PDF	IES	1,323	90.0	19.9	PDF	IES	1,348	91.7	19.9	PDF	IES	1,375	93.5	20.0	PDF	IES

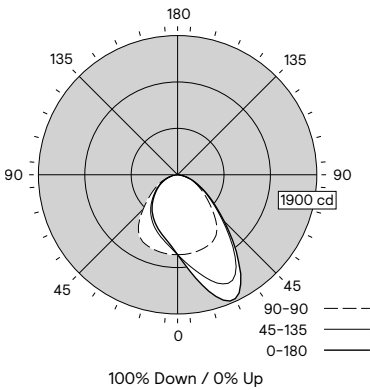
Indirect (2923) Performance Asymmetric Lens – NW

Click "PDF" or "IES" text to download

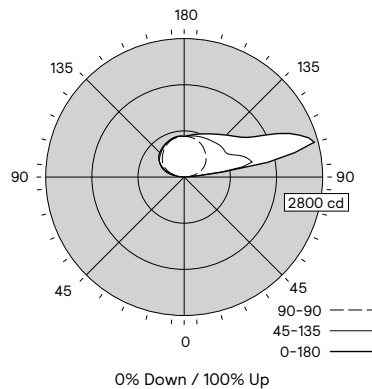
Nominal CRI & CCT		CRI 90, 2700K					CRI 90, 3000K					CRI 90, 3500K					CRI 90, 4000K					CRI 90, 5000K				
Nominal Lumen Package (lm/4ft)	Watts	Flux (lm/4ft) ¹	Efficacy (LPW) ¹	UGR ²	Photometry Report	IES File	Flux (lm/4ft) ¹	Efficacy (LPW) ¹	UGR ²	Photometry Report	IES File	Flux (lm/4ft) ¹	Efficacy (LPW) ¹	UGR ²	Photometry Report	IES File	Flux (lm/4ft) ¹	Efficacy (LPW) ¹	UGR ²	Photometry Report	IES File	Flux (lm/4ft) ¹	Efficacy (LPW) ¹	UGR ²	Photometry Report	IES File
4800	35.9	4,212	117.3	N/A	PDF	IES	4,330	120.6	N/A	PDF	IES	4,488	125.0	N/A	PDF	IES	4,557	126.9	N/A	PDF	IES	4,661	129.8	N/A	PDF	IES
3200	23.6	2,810	119.1	N/A	PDF	IES	2,891	122.5	N/A	PDF	IES	2,985	126.5	N/A	PDF	IES	3,036	128.6	N/A	PDF	IES	3,103	131.5	N/A	PDF	IES

1. 4ft Luminaire photometry has been conducted in accordance with IES LM-79-08. IES files can be downloaded by clicking the links in the table above, or online at ledalite.com. Luminaires with finishes other than standard white may result in a drop in flux and efficacy.
2. Unified Glare Ratio (UGR) is calculated in accordance with CIE 117-1995. Reference conditions of 4Hx8Hx1H and reflectances of 70/50/20% have been applied using the procedure described in CIE 190-2010.

Performance Asymmetric Flush MesoOptic Lens – WN Spacing Criteria: 1.66/1.34



Performance Asymmetric Lens – NW



Candela plot shown is for 3000lm/4ft, CRI 90, 3500K configurations.

Candela plot shown is for 4800lm/4ft, CRI 90, 3500K configurations.

TruGroove wall

Photometry

Indirect/Direct (2925) Performance Asymmetric MesoOptics Lens - WW

Click "PDF" or "IES" text to download

Nominal CRI & CCT			CRI 90, 2700K					CRI 90, 3000K					CRI 90, 3500K					CRI 90, 4000K					CRI 90, 5000K				
Nominal Lumen Package (lm/4ft)	Watts	70% Up	Flux (lm/4ft) ¹	Efficacy (LPW) ¹	UGR ²	Photometry Report	IES File	Flux (lm/4ft) ¹	Efficacy (LPW) ¹	UGR ²	Photometry Report	IES File	Flux (lm/4ft) ¹	Efficacy (LPW) ¹	UGR ²	Photometry Report	IES File	Flux (lm/4ft) ¹	Efficacy (LPW) ¹	UGR ²	Photometry Report	IES File	Flux (lm/4ft) ¹	Efficacy (LPW) ¹	UGR ²	Photometry Report	IES File
			6800	57.8	70% Up	6.066	104.9	14.8	PDF	IES	6.238	107.9	14.9	PDF	IES	6.457	111.7	15.0	PDF	IES	6.559	113.5	15.0	PDF	IES	6.708	116.1
5200	42.0	60% Up	4.491	106.9	16.0	PDF	IES	4.621	110.0	16.1	PDF	IES	4.768	113.5	16.2	PDF	IES	4.851	115.5	16.3	PDF	IES	4.958	118.0	16.4	PDF	IES
4600	38.2	70% Up	4.057	106.2	13.4	PDF	IES	4.177	109.3	13.5	PDF	IES	4.308	112.8	13.6	PDF	IES	4.384	114.8	13.6	PDF	IES	4.478	117.2	13.7	PDF	IES
3500	28.2	60% Up	3.020	107.1	14.6	PDF	IES	3.114	110.4	14.8	PDF	IES	3.205	113.7	14.9	PDF	IES	3.266	115.8	14.9	PDF	IES	3.329	118.0	15.0	PDF	IES

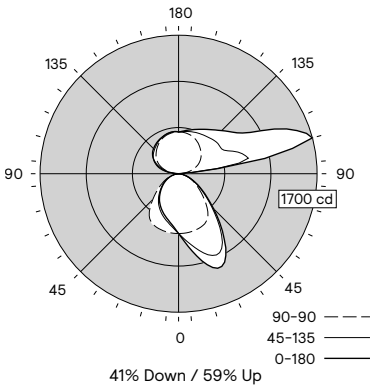
Direct/Indirect (2926) Performance Asymmetric MesoOptics Lens - WW

Click "PDF" or "IES" text to download

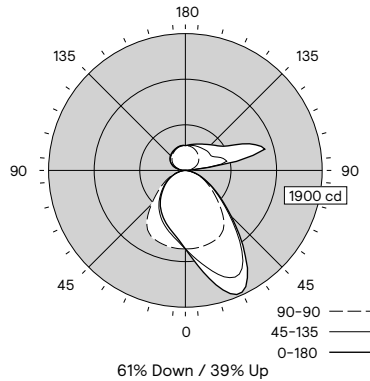
Nominal CRI & CCT			CRI 90, 2700K					CRI 90, 3000K					CRI 90, 3500K					CRI 90, 4000K					CRI 90, 5000K				
Nominal Lumen Package (lm/4ft)	Watts	60% Down	Flux (lm/4ft) ¹	Efficacy (LPW) ¹	UGR ²	Photometry Report	IES File	Flux (lm/4ft) ¹	Efficacy (LPW) ¹	UGR ²	Photometry Report	IES File	Flux (lm/4ft) ¹	Efficacy (LPW) ¹	UGR ²	Photometry Report	IES File	Flux (lm/4ft) ¹	Efficacy (LPW) ¹	UGR ²	Photometry Report	IES File	Flux (lm/4ft) ¹	Efficacy (LPW) ¹	UGR ²	Photometry Report	IES File
			6800	63.9	60% Down	6.070	95.0	19.8	PDF	IES	6.245	97.7	19.8	PDF	IES	6.468	101.2	20.0	PDF	IES	6.569	102.8	20.0	PDF	IES	6.715	105.1
5200	47.5	60% Down	4.520	95.2	19.3	PDF	IES	4.653	98.0	19.4	PDF	IES	4.807	101.2	19.6	PDF	IES	4.888	102.9	19.6	PDF	IES	4.994	105.1	19.7	PDF	IES
4600	43.6	70% Down	3.978	91.2	20.0	PDF	IES	4.096	93.9	20.1	PDF	IES	4.230	97.0	20.2	PDF	IES	4.303	98.7	20.3	PDF	IES	4.394	100.8	20.3	PDF	IES
3500	33.0	60% Down	3.085	93.5	17.9	PDF	IES	3.179	96.3	17.9	PDF	IES	3.274	99.2	18.1	PDF	IES	3.335	101.1	18.1	PDF	IES	3.402	103.1	18.3	PDF	IES

1. 4ft Luminaire photometry has been conducted in accordance with IES LM-79-08. IES files can be downloaded by clicking the links in the table above, or online at ledalite.com. Luminaires with finishes other than standard white may result in a drop in flux and efficacy.
2. Unified Glare Ratio (UGR) is calculated in accordance with CIE 117-1995. Reference conditions of 4Hx8Hx1H and reflectances of 70/50/20% have been applied using the procedure described in CIE 190-2010.

Performance Asymmetric MesoOptic Lens - WW Spacing Criteria: 1.66/1.34



Performance Asymmetric MesoOptic Lens - WW Spacing Criteria: 1.66/1.34



Candela plot shown is for 5200lm/4ft, CRI 90, 3500K configurations.

Candela plot shown is for 5200lm/4ft, CRI 90, 3500K configurations.

Footnotes from page 1 ordering guide

1. Nominal values within a range. Not all lumen packages are available with all configurations. Consult photometry data for CRI, color temp, lumens & distribution of chosen configuration.
 2. Not all wiring types are available with all configurations. Consult Ledalite for a complete list of available options.
 3. 347V not available with Battery Pack, GTD, DALI, Lutron EcoSystem or Sensor Ready drivers or Interact Pro options. Battery packs available in modules > 4ft (lumen package limits may apply, check with Ledalite).
 4. Interact Pro & Interact Office Wired (PoE) options require separate controls hardware by Signify.
 5. Please enquire about options for Tunable White with DALI (DT6 or DT8), 0-10V, Lutron T Series or DMX or Interact Office Wired PoE control (extended lead times may apply).
 6. Auxiliary Wiring not available with Interact Pro or Interact Office Wired (PoE) luminaires. Aux sections are wired to one fixture end only.
 7. Available in continuous run lengths in increments of 2ft. Please enquire about options for smaller increments.
 8. Please enquire about options for corners and intersections (extended lead times may apply).
 9. Sensors are only available in white, but can be combined with any luminaire finish.
 10. Luminaires are pre-wired to both ends with quick wire connectors at one end for standard circuit & battery pack trigger wire (if applicable). Each circuit has its own neutral conductor. All circuits are clearly labelled at each end.
 11. Thru Wire options can provide either one additional set of (4) power and dimming wires (Black/White/Purple/Grey or Pink) or one additional battery pack trigger wire (Orange) through a selected module, please consult factory for other Thru Wire options.
 12. Other options not shown here may also be possible via a custom request. Extended lead times and minimum order quantities may apply, please consult factory.
 13. UL924 listed sensor bypass relay is factory installed between driver & sensor. Must be ordered in same module as integral sensing option. Must be installed in conjunction with a UL1008 device.
 14. Must order IRT9015 Interact commissioning remote with each system order.
 15. For PoE, the CAT5/CAT6 cable to be provided by others.
- Note:** Due to continuing product improvements, Ledalite reserves the right to change the specifications without notice.

