



OUR MOST VERSATILE LUMINAIRE

ALS500T Pendant Mount series is a seamless system designed for indoor suspended applications, such as offices or classrooms, creating an accent that highlights specific areas over a desk or work spaces.

- **CRI**
High Output (HO) > 90
- **DIM TO DARK**
0-10V (100%-1%)
- **EFFICACY**
99 Lumens Per Watt
- **REPLACEABLE DRIVER**
- **NO PIXELATION**
"Line of Light"



PRODUCT FEATURES



DIMMING

ALS500T Pendant Mount Series has a unique 0-10V dimming capability. This luminaire is one of the newest versatile additions to the *alumLEDs* family. This series has a 100-1% dim to dark feature that shuts off and re-starts at the designated dimming level.

FEATURES

APPLICATIONS	Direct Lighting
LAMP TYPE	High Output LEDs (No Mercury)
CRI	>90 (High Output)
LENS	Frosted (No Pixelation: Line of Light)
LENGTH	Standard Lengths: 4' and 8' (Seamless lengths possible with ALS500T-DPM-SL-CC) (Seamless lengths possible with ALS500T-SQ-SL-CC)
CONSTRUCTION	Aluminum Extrusion
WEIGHT	1.32 lbs per foot
MOUNTING	Aircraft Cable
LISTING	Dry Location UL1598, CSA C22.2#250.0 UL8750, CSA250 UL2108, CSA C22.2 #9

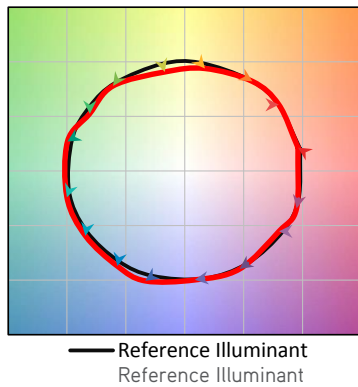
ELECTRICAL

DIMMING	0-10V, DMX
MAXIMUM RUN	40' (1.5W, 2W, 4W, 6W, 8W) 26' (12W)
PRIMARY VOLTAGE	Universal (120V-277V)
SECONDARY VOLTAGE	24VDC
DRIVER	Integral
TEMPERATURE RATINGS	Operating / Startup: -20° to 48°C (-4° to 120°F) Storage: -40° to 76°C (-40° to 170°F)

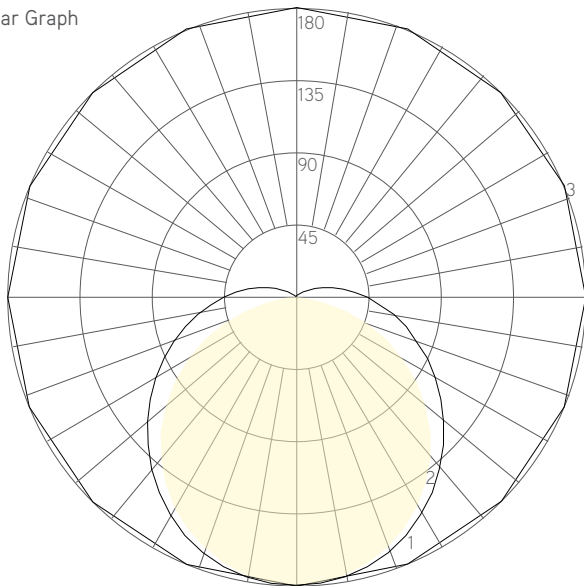


PERFORMANCE

Color Vector Graph

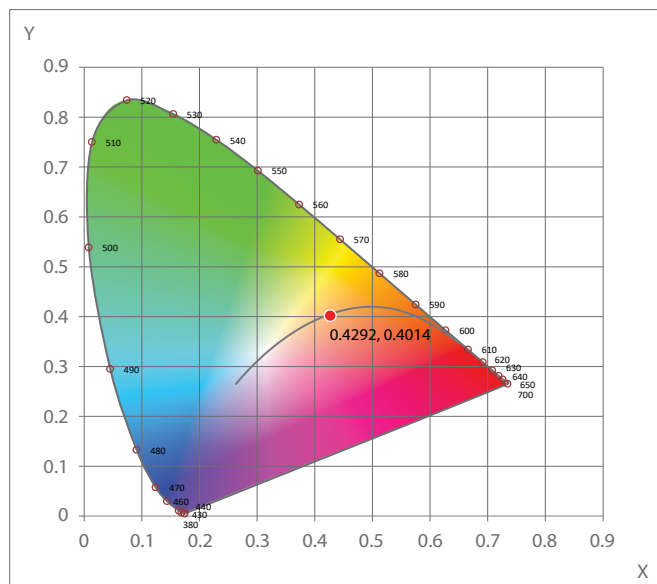


Polar Graph



Maximum Candela = 348.24 Located At Horizontal Angle = 0, Vertical Angle = 0
 # 1 - Vertical Plane Through Horizontal Angles (0 - 180) (Through Max. Cd.)
 # 2 - Horizontal Cone Through Vertical Angle (0) (Through Max. Cd.)

Chromaticity Diagram



TM-30

METRIC	RESULT	NOTES
R _f	90	IES TM-30-15 Fidelity Index
R _g	99	IES TM-30-15 Gamut Index
CIE R _a	94	CIE Test Color Method General Index
R ₉	82	CIE Test Color Method Sample Nine Score
R _{f, skin}	93	Average of CES15 and CES18 (skin)
CCT	3014	Correlated Color Temperature
D _{uv}	0.0001	Distance from blackbody locus
x	0.4292	CIE 1931 chromaticity coordinate
y	0.4014	CIE 1931 chromaticity coordinate
u	0.2467	CIE 1960 chromaticity coordinate
v	0.3461	CIE 1960 chromaticity coordinate
u'	0.2467	CIE 1976 chromaticity coordinate
v'	0.5192	CIE 1976 chromaticity coordinate

OUTPUT

Performing at a very high output, the ALS500T Pendant Mount Series is unique in its performance. This series has an impressive Color Rendering Index greater than 90, and has tested along the black locus line using the 3-step binning process providing line of light without color shifts.

ZONAL LUMEN SUMMARY (6 WATTS PER FOOT)

ZONE	LUMENS	% FIXT
0-20	65.87	10.40
0-30	140.41	22.10
0-40	231.28	36.50
0-60	418.29	66.00
0-80	552.13	87.10
0-90	589.51	93.00

LAMP SPECIFICATIONS

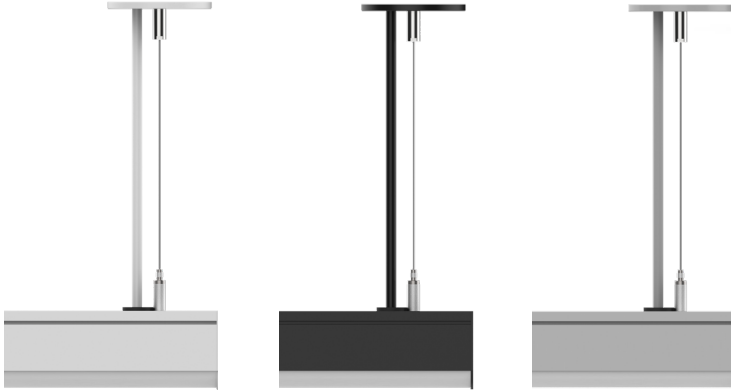
LAMP NUMBER	CORRELATED COLOR TEMPERATURE	LUMENS PER WATT	L70 LED LIFE
2.4K	2400K Incandescent White	96	60,000 hrs.
2.7K	2700K Warm White	94	60,000 hrs.
3.0K	3000K Warm White	97	60,000 hrs.
3.5K	3500K Neutral White	99	60,000 hrs.
4.0K	4000K Neutral White	100	60,000 hrs.
4.5K	4500K Neutral White	104	60,000 hrs.
5.0K	5000K Cool White	108	60,000 hrs.
5.7K	5700K Cool White	106	60,000 hrs.
R	Red (21nm)	60	40,000 hrs.
G	Green (535nm)	139	40,000 hrs.
B	Blue (470nm)	40	40,000 hrs.
A	Amber (589nm)	128	40,000 hrs.



ACCESSORIES

Power Connectors

Power connectors are available in three color options to match your ceiling canopy and design space.



White

Black

Satin

Power Connector
 (#ALS500T-YYY-PC-XX)
 (XX = Finish)

YYY = DPM
 SQ

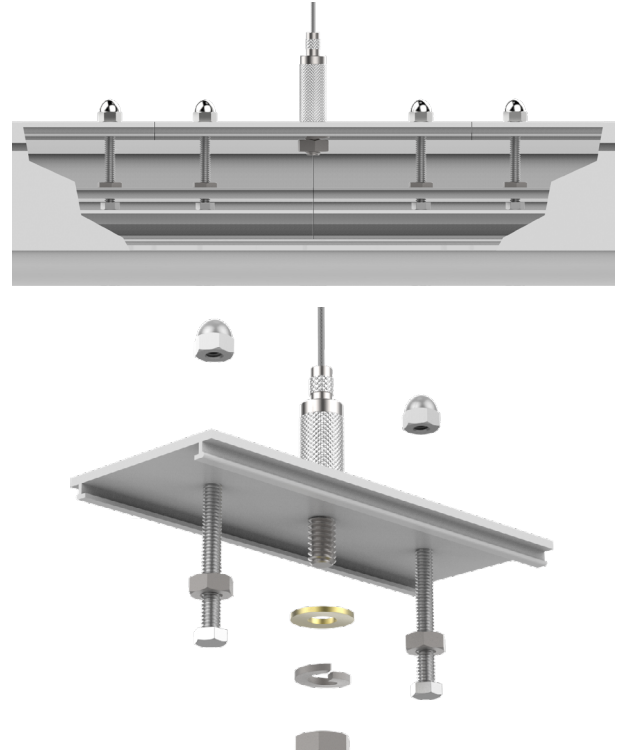
XX = WH
 BK
 SA

Continuous Connection System

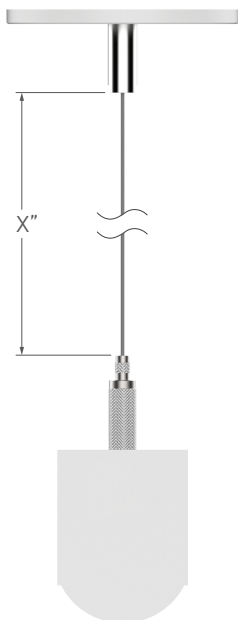
(ALS500T-DPM-SL-CC)

(ALS500T-SQ-SL-CC)

Required for run lengths longer than 8'



MOUNTING - Aircraft Cable Is Adjusted to Custom Lengths



Aircraft cable is customized to any length to adapt to any desired altitude.

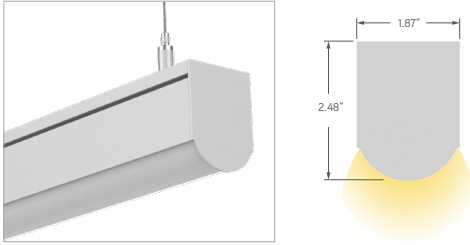


Canopy
 (ALS500T-DPM-CN-X)
 (ALS500T-SQ-CN-X)
 (X = Specify Finish)

Aircraft Cable
 (#ALS500T-DPM-AC-X)
 (X = 12", 18", 24", 36", 50", 75", 100", or 120")



ALS500T-DPM DIRECT PENDANT MOUNT ROUND LENS



ALS500T Direct Pendant Mount Luminaire features glare reduction components that allow maximum light output without the glare.

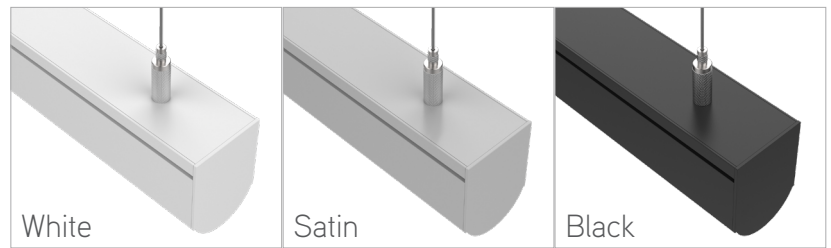
Our innovated line of light lens provides the look you always wanted. Our lens gives maximum lumen output without color shift.

100% Frosted Lens
No Pixelation - Line of Light

When specifying the ALS500T family you can be ensured that your Cove, Pendant, and Recessed applications will all match regardless of lens ordered.

CUSTOM COLOR FINISHES

Available in three standard color finish options, customized along with power connector and canopy finish of choice.



SPECIFY PRODUCT CODE

SERIES	FINISH	PC FINISH*1	AC LENGTH	CCT LED	WATTS PER FOOT	DIMMING	LISTING	LUMINAIRE VOLTAGE	FIXTURE LENGTH**
ALS500T-DPM 100% Frosted Lens No Pixelation: Line of Light	White (WH)	White (WH)	12"	2400K (2.4K)	Red (R)	4 Watts: 396 Lumens/ft (4W)	0-10V: 100% - .1% (10V)	Indoor (DRY)	Specify Length In Feet & Inches Example: 7'8"
		Satin (SA)	18"	2700K (2.7K)	Green (G)	5 Watts: 495 Lumens/ft (5W)			
	Satin (SA)	Black*2 (BK)	24"	3000K (3.0K)	Blue (B)	6 Watts: 594 Lumens/ft (6W)	JA8 0-10V (JA8-10V)		
			36"	3500K (3.5K)	Amber (A)	8 Watts: 792 Lumens/ft (8W)	(JA8-10V)		
	Black (BK)		50"	4000K (4.0K)		12 Watts: 1188 Lumens/ft (12W)	JA8 Hi-Lume 1% 2 Wire Remote Driver*2 (JA8-LTEA)		
			72"	4500K (4.5K)					
			100"	5000K (5.0K)					
			120"	5700K (5.7K)			DMX-512*3 (DMX) DALI*4 (DALI)		

Note: Maximum length for line voltage (Integral Driver) is 320 watts per run.

Example: 320 watts ÷ 8 watts per foot = 40 feet max run.

*1 Standard Power Connector Finish: Black if left blank

*2 (LTEA) 40 watt max Hi-Lume 1% LTEA2W #LTEA4U1UKL-CV240

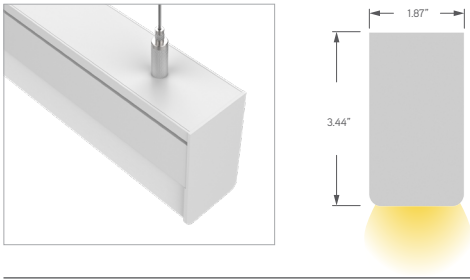
*3 Default DMX address of each fixture is 001. Consult third party DMX commissioner to modify at time of installation. Minimum fixture length: 2'

*4 DALI commissioning to be performed by a third party at time of installation. CALI does not provide DALI commissioning. Minimum fixture length: 2'

*5 Integral drivers wattage sized based on length of run. Example: 5' run x 4 watts per foot = 20 watts. Driver will be sized to 20 watts maximum.

*6 End Caps add 0.12" to overall length of fixture.

ALS500T-SQ DIRECT PENDANT MOUNT-SQUARE LENS



ALS500T-DPM-SQ adds a line of lighting to all three sides to your pendant mount applications. This design allows you to see the line of light from all angles of the room.

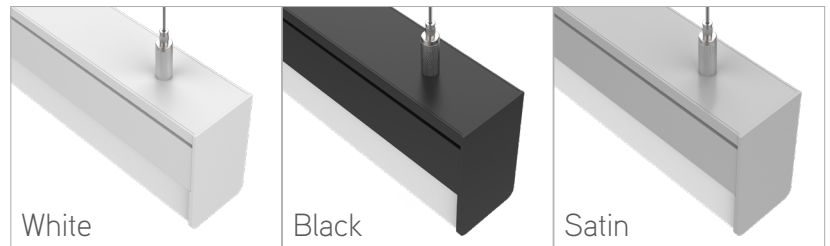
Our innovated line of light lens provides the look you always wanted. Our lens gives maximum lumen output without color shift.

When specifying the ALS500T family you can be ensured that your Cove, Pendant, and Recessed applications will all match regardless of lens ordered.

100% Frosted Lens
No Pixelation - Line of Light

CUSTOM COLOR FINISHES

Available in three standard color finish options, customized along with power connector and canopy finish of choice.



SPECIFY PRODUCT CODE

SERIES	FINISH	PC FINISH*1	AC LENGTH	CCT LED	WATTS PER FOOT	DIMMING	LISTING	LUMINAIRE VOLTAGE	FIXTURE LENGTH*6
ALS500T-SQ 100% Frosted Lens No Pixelation: Line of Light	White (WH)	White (WH)	12"	2400K (2.4K)	Red (R)	4 Watts: 396 Lumens/ft (4W)	0-10V: 100% - .1% (10V)	Indoor (DRY)	Specify Length In Feet & Inches Example: 7'8"
		Satin (SA)	18"	2700K (2.7K)	Green (G)	5 Watts: 495 Lumens/ft (5W)			
	Satin (SA)	Black*2 (BK)	24"	3000K (3.0K)	Blue (B)	6 Watts: 594 Lumens/ft (6W)	JA8 0-10V (JA8-10V)		
			36"	3500K (3.5K)	Amber (A)	8 Watts: 792 Lumens/ft (8W)			
		Black (BK)	50"	4000K (4.0K)		12 Watts: 1188 Lumens/ft (12W)	JA8 Hi-lume 1% 2 Wire Remote Driver*2 (JA8-LTEA)		
			72"	4500K (4.5K)					
	100"	5000K (5.0K)			DMX-512*3 (DMX)				
	120"	5700K (5.7K)				DALI*4 (DALI)			

Note: Maximum length for line voltage (Integral Driver) is 320 watts per run.
Example: 320 watts ÷ 8 watts per foot = 40 feet max run.

*1 Standard Power Connector Finish: Black if left blank

*2 (LTEA) 40 watt max Hi-Lume 1% LTEA2W #LTEA4U1UKL-CV240

*3 Default DMX address of each fixture is 001. Consult third party DMX commissioner to modify at time of installation. Minimum fixture length: 2'

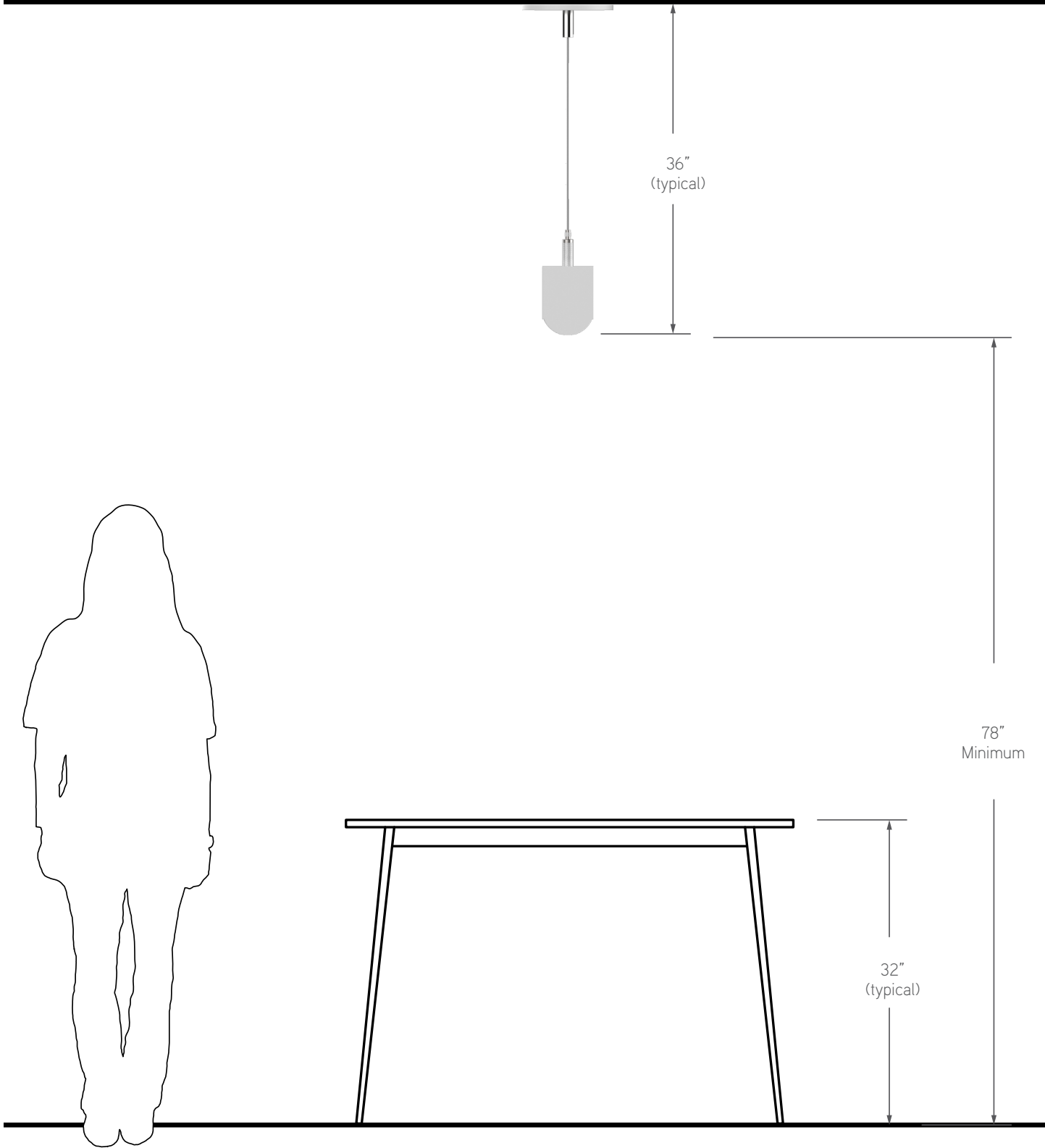
*4 DALI commissioning to be performed by a third party at time of installation. CALI does not provide DALI commissioning. Minimum fixture length: 2'

*5 Integral drivers wattage sized based on length of run. Example: 5' run x 4 watts per foot = 20 watts. Driver will be sized to 20 watts maximum.

*6 End Caps add 0.12" to overall length of fixture.



ALS500T-DPM DESIGN GUIDELINES



ALS500T-DPM DESIGN GUIDELINES



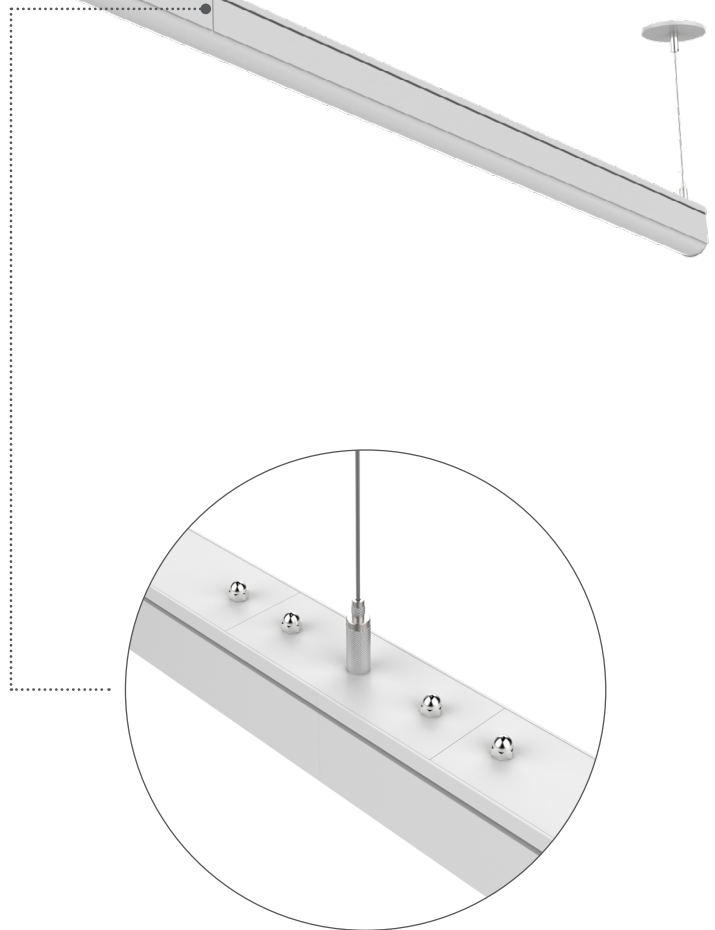
•..... Each canopy sustains a junction box with maximum weight of 20lbs

ALS500T-DPM WEIGHT	
FEET	WEIGHT
4'	8 lbs.
8'	16 lbs.

Seamless Long Runs Made Easy

Straight long runs joined easily using our Seamless Continuous connector. ALS500T-DPM is constructed of light weight aluminum extrusions. Providing the luminaire the strength it needs to stay uniform without the weight of ceiling coming down.

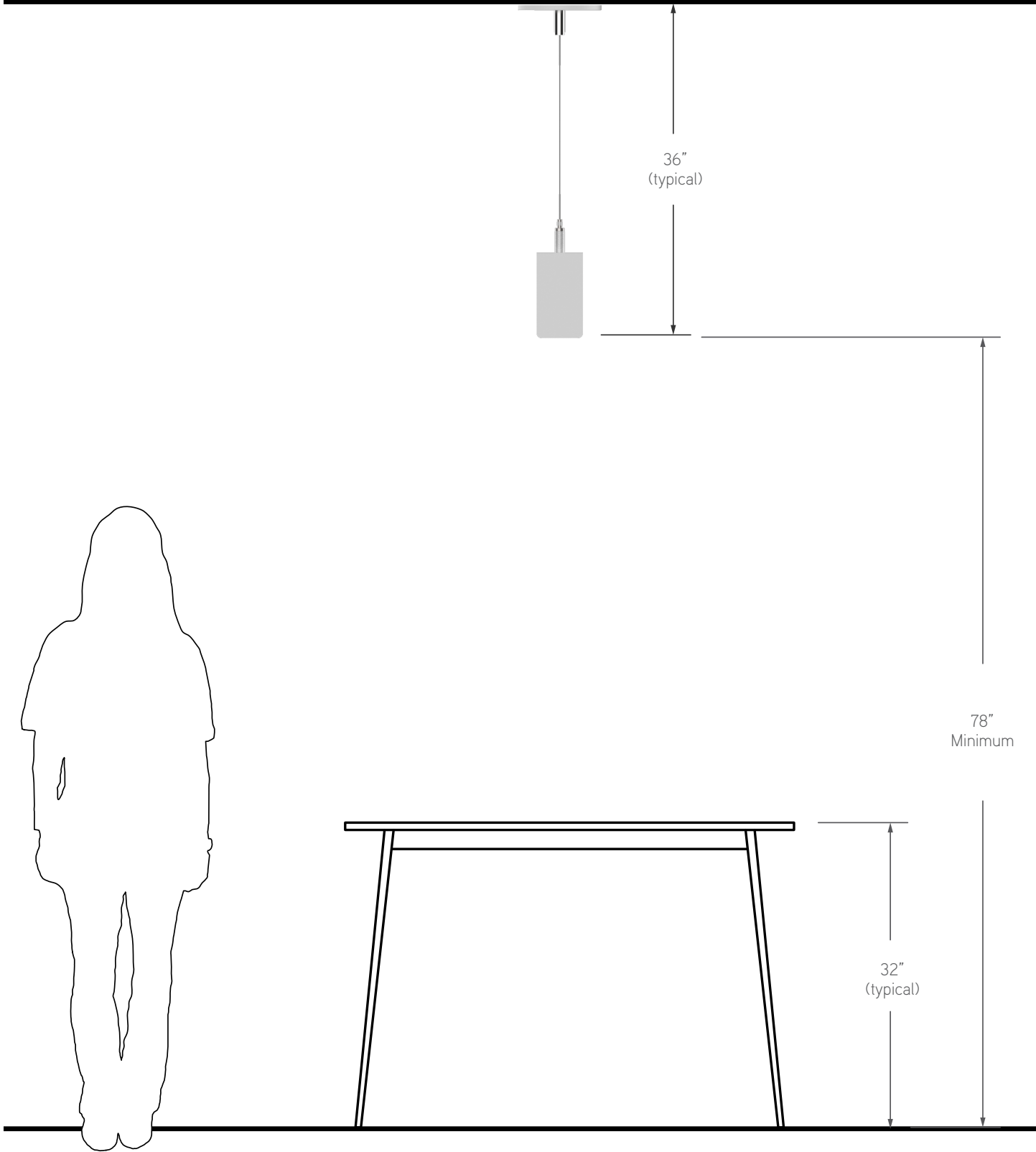
Note:
ALS500T-DPM-SL-CC is applicable for 8' lengths or longer a seamless installation. No wiring or cords are exposed.



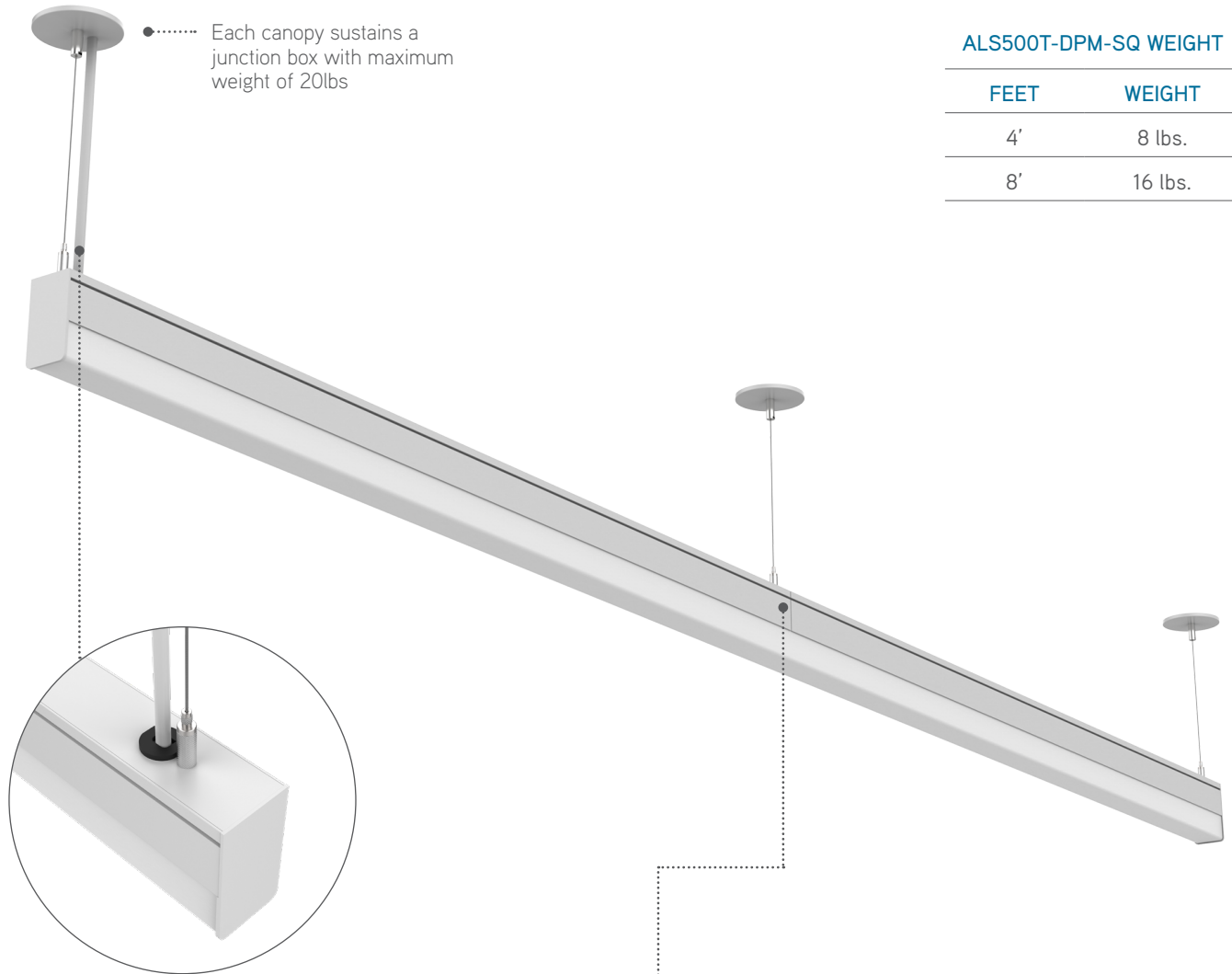
Seamless Continuous Connector
(#ALS500T-DPM-SL-CC)



ALS500T-DPM-SQ DESIGN GUIDELINES

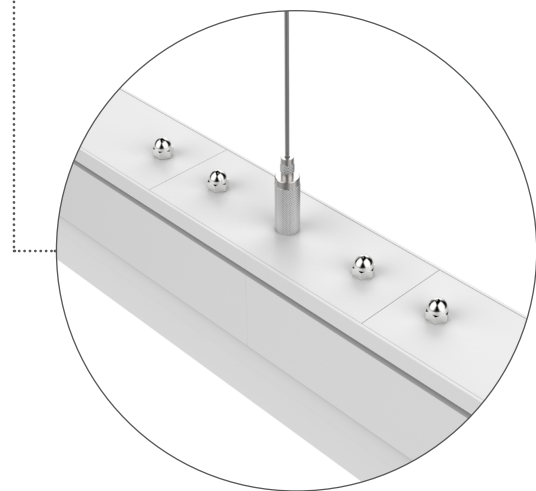
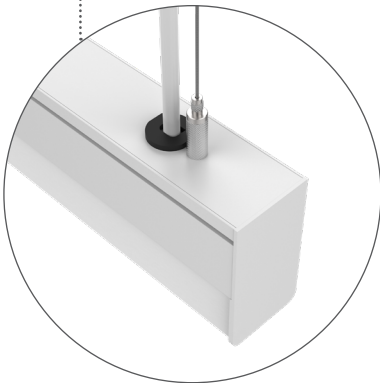


ALS500T-SQ DESIGN GUIDELINES



ALS500T-DPM-SQ WEIGHT

FEET	WEIGHT
4'	8 lbs.
8'	16 lbs.



Seamless Long Runs Made Easy

Straight long runs joined easily using our Seamless Continuous connector. ALS500T-SQ is constructed of light weight aluminum extrusions. Providing the luminaire the strength it needs to stay uniform without the additional weight that ceiling could cause to come down.

Note:
ALS500T-SQ-SL-CC is applicable for 8' lengths or longer for a seamless installation. No wiring or cords are exposed.

Seamless Continuous Connector
(#ALS500T-SQ-SL-CC)



DIMMING PROTOCOL (0-10V DIMMING)

ALS500T is available with a universal 120V-277V integral dimmable driver. The driver has 0-10V dimming capabilities. Consult factory for other dimming protocols available. The following applies to 0-10V dimming interfaces. *A 0-10V fluorescent dimmer will not dim the LEDs.*

Technical Requirements For Control Equipment

- The light output of the LEDs operated by the controllable LED driver is controlled by DC voltage applied to the control input leads (grey and violet). The actual response curve of LED driver current versus control voltage.
- The control device must be capable of accepting, or sinking, the DC current flow from the driver. The DC current from the driver that must be sunk by the control circuit is approximately 150uA (+/50% for isolated dim interfaces, up to 1.5mA for non-isolated dim interfaces).
- If the control bus is shorted either by a mechanical switch in the control or by the circuitry of the control device, or inadvertently in the wiring, the current on the control bus will be less than 1.5mA.
- As can be determined from the two items, simple two-level operation of the drivers can be achieved by proper usage and application of a simple open/closed switch on the control bus with maximum light being achieved when the switch is open and minimum light with the switch is closed.
- The driver is intended to be used with control voltages between 0-10VDC volts peak maximum on the driver control leads.
- Control equipment intended to control more than one driver must be capable of sinking the current supplied to the control bus by the maximum number of drivers specified for the control device. At any given level setting it must maintain control bus voltage constant within a range of $\pm 5\%$ as the number of drivers connected to the control bus varies from a minimum of one driver up to the maximum number specified for the control device.
- Driver of various ratings may be mixed on the same control system.

There are two known standards:

1. IEC60929 (Annex E)
2. ESTA E1.3, Entertainment Technology

Compatible 0-10V Dimmers and Switches			
Dimmer Manufacturer	Website	Type	Recommended Dimming Curve
Busch-Jaeger	www.busch-jaeger.de	2112U-101	Logarithmic
Jung	www.gb.jung.de	240-10	Logarithmic
Leviton Lighting Controls	www.leviton.com	IllumaTech - IP710-DLX	Logarithmic
Lightolier Controls	www.lightolier.com	ZP600FAM120	Logarithmic
Lutron Electronics	www.lutron.com/LEDtool	Nova T - NTFTV Diva - DVTV, Diva - NFTV	Linear Linear
Merten	www.merten.de	5729	Logarithmic
Pass & Seymour	www.legrand.us	CD4FB-W	Logarithmic
The Watt Stopper	www.wattstopper.com	DCLV1	Logarithmic
Sensor Switch	www.sensorswitch.com	nIO EZ	Linear
Synergy	www.synergylightingcontrols.com	ISD BC	Logarithmic
Compatible Dimming Control Systems			
Control Manufacturer	Website	Type	Recommended Dimming Curve
Lutron Electronics	www.lutron.com/LEDtool	GraphicEye - GRX-TVI w GRX3503, Energy Savr Node - QSN-4T16-S, TVM2 Module	Linear
Crestron	www.crestron.com	GLX-DIMFLV8, GLXP-DIMFLV8, GLPAC-DIMFLV4-*, GLPAC-DIMFLV8-*, GLPP-DIMFLVEX-PM, GLPP-1DIMFLV2EX-PM, GLPP-1DIMFLV3EX-PM, DIN-A08, DIN-4DIMFLV4, CLS-EXP-DIMFLV, CLCI-1DIMFLV2EX	Logarithmic
ABB	www.abb.com/KNX	SD/S 2.16.1	Logarithmic





CALI

CALIFORNIA ACCENT LIGHTING, INC.

2820 E. Gretta Lane, Anaheim, CA 92806

ph. 800.921.CALI (2254) | fx. 714.535.7902 | info@calilighting.com | calilighting.com

© CALI. All rights reserved. CALI reserves the right to make changes or withdraw specifications without prior notice.



3.26.2021